

INSTALLATION INSTRUCTIONS

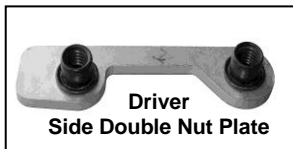
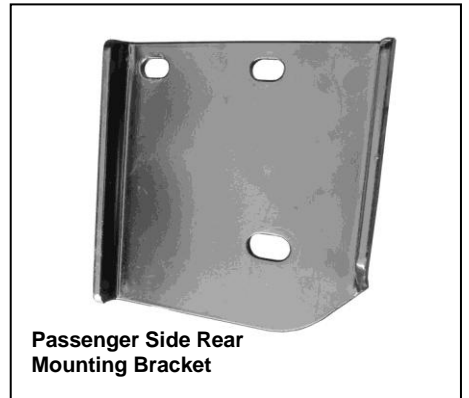
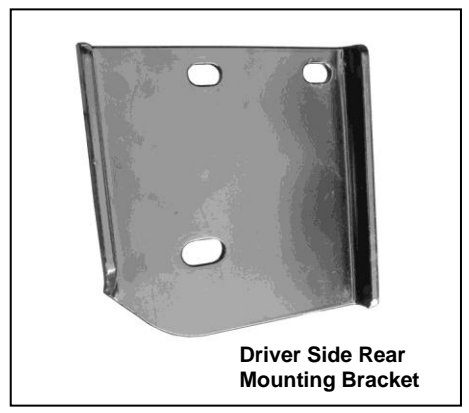
SIDEBAR

98-10 FORD RANGER SUPER CAB 4 DR

PART

PARTS LIST:

1	Driver/Left Sidebar	1	Driver/Left Double Nut Plate
1	Passenger/Right Sidebar	1	Passenger/Right Double Nut Plate
1	Driver/Left Front Mounting Bracket	12	10-1.50mm x 30mm Hex Head Bolts
1	Passenger/Right Front Mounting Bracket	12	10mm Lock Washers
1	Driver/Left Rear Mounting Bracket	20	10mm ID x 21mm OD x 1.5mm Flat Washers
1	Passenger/Right Rear Mounting Bracket	8	10mm Hex Nuts
1	Driver/Left Front Support Bracket	4	1/2" x 2" Hex Head Bolts
1	Passenger/Right Front Support Bracket	4	1/2" Lock Washers
1	Driver/Left Rear Support Bracket	4	1/2" ID x 1 3/8" OD x 3/32" Flat Washers
1	Passenger/Right Rear Support Bracket		



PROCEDURE:

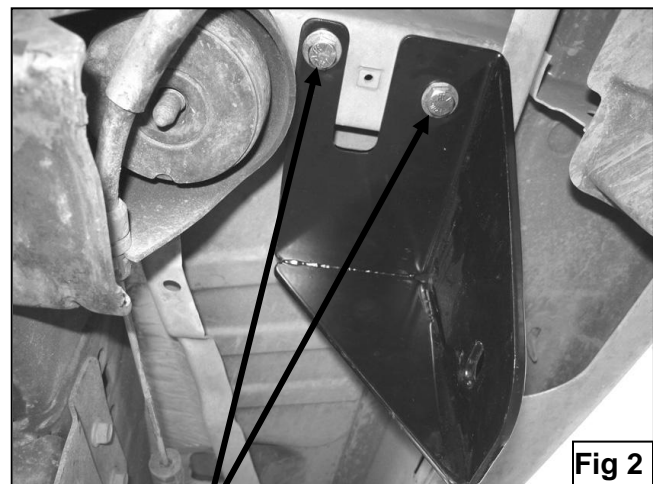
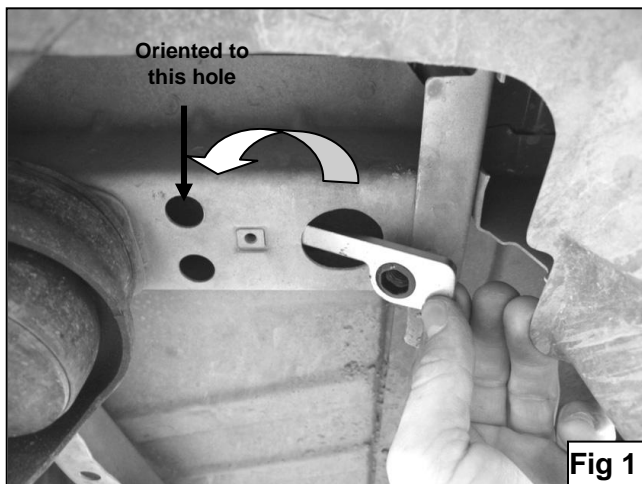
1. REMOVE CONTENTS FROM BOX. VERIFY ALL PARTS ARE PRESENT. READ INSTRUCTIONS CAREFULLY BEFORE STARTING INSTALLATION.
2. From underside of vehicle, locate the three factory holes (one large, two small) in the driver side cross frame by the front body mount. With the welded nuts facing up, insert the smaller end of the driver side Double Nut Plate through large hole in the frame and orient it to front smaller hole (**Figure 1**).
3. Partially hang driver side front Mounting Bracket from already inserted Double Nut Plate using the included (2) 10mm x 30mm Hex Head Bolts, (2) 10mm Lock Washers, and (2) 10mm Flat Washers (**Figure 2**).
4. On the rear side of the driver front body mount there is a factory hole in the floor panel located by the frame rail, loosely attach the straight end of the driver side front Support Bracket to this factory hole using the included (1) 10mm x 30mm Hex Head Bolt, (1) 10mm Lock Washer, (1) 10mm Hex Nut, and (2) 10mm Flat Washers (**Figure 3**).
5. With the 90° bend towards the rear of the vehicle and facing the side of the vehicle, insert the driver side rear Support Bracket through rectangular hole located in the bottom of the body (**Figure 4**). Line up the hole in the 90° bend with factory hole located between the cab and the bed of the vehicle and secure it using the included (1) 10mm x 30mm Hex Head Bolt, (1) 10mm Lock Washer, (1) 10mm Hex Nut, and (2) 10mm Flat Washers. Tighten at this time (**Figure 5**). **NOTE:** Before tightening make sure that the two holes on the longer side of the Support Bracket lines up with the two factory holes located in the side panel.
6. Loosely attach driver side rear Mounting Bracket to already inserted rear Support Bracket using the included (2) 10mm x 30mm Hex Head Bolts, (2) 10mm Lock Washers, (2) 10mm Hex Nuts, and (4) 10mm Flat Washers (**Figure 6**). **NOTE:** Make sure that the 90° bends on the rear Mounting Bracket are facing the inside of the vehicle when installed.
7. Attach driver Sidebar to front Support Bracket and front Mounting Bracket using the included (1) ½" x 2" Hex Head Bolt, (1) ½" Lock Washer, and (1) ½" Flat Washer (**Figure 7**). Do not tighten at this time.
8. Once the front end of the Sidebar is loosely installed proceed to attach the rear end of the Sidebar to rear Mounting Bracket using the included (1) ½" x 2" Hex Head Bolt, (1) ½" Lock Washer, and (1) ½" Flat Washer (**Figure 8**).
9. Level and adjust Sidebar; then tighten all hardware at this time.
10. Repeat steps 2-9 for passenger Sidebar.
11. Do periodic inspections to the installation to make sure that all hardware is secure and tight.

To protect your investment, wax this product after installing. Regular waxing is recommended to add a protective layer over the finish. Do not use any type of polish or wax that may contain abrasives that could damage the finish.

For stainless steel: Aluminum polish may be used to polish small scratches and scuffs on the finish. Mild soap may be used also to clean the Sidebar.

For gloss black finishes: Mild soap may be used to clean the Sidebar.

(Driver Sidebar Installation Shown)



(Bolt Plate)
10mm x 30mm Hex Bolts
10mm Lock Washers
10mm Flat Washers

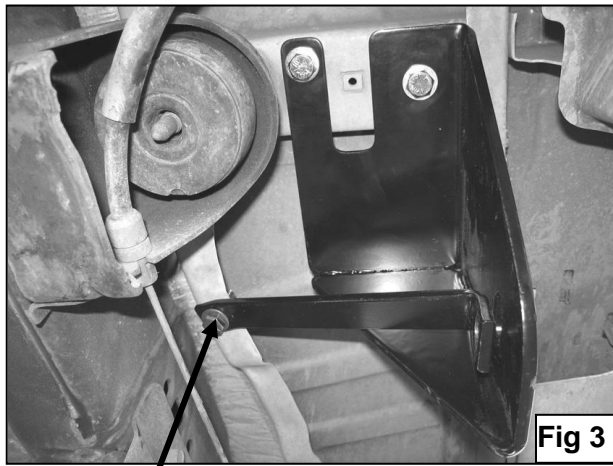


Fig 3

10mm x 30mm Hex Bolt
 10mm Lock Washer
 10mm Hex Nut
 10mm Flat Washers

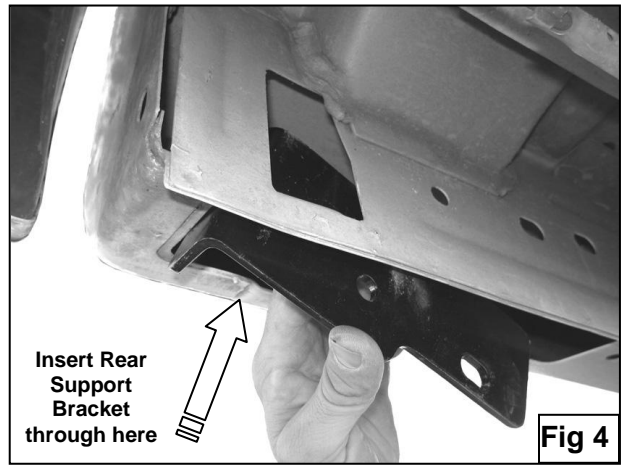


Fig 4

Insert Rear Support Bracket through here

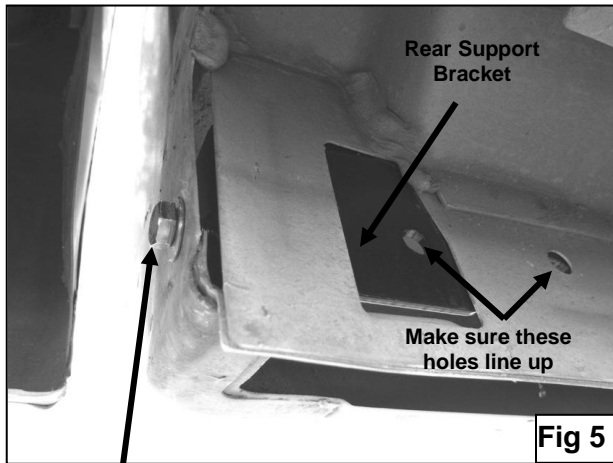


Fig 5

Rear Support Bracket

Make sure these holes line up

10mm x 30mm Hex Bolt
 10mm Lock Washer
 10mm Hex Nut
 10mm Flat Washers

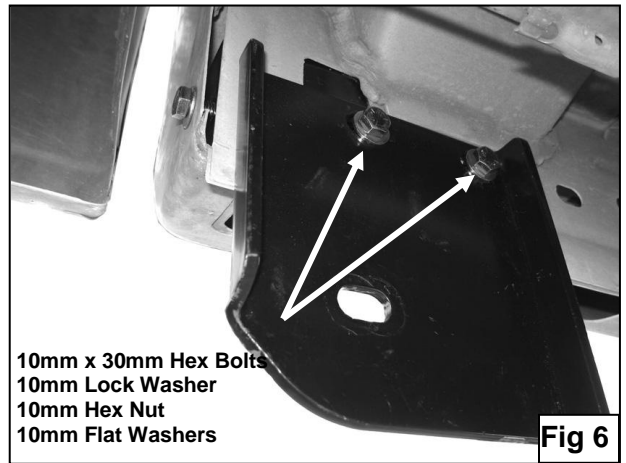


Fig 6

10mm x 30mm Hex Bolts
 10mm Lock Washer
 10mm Hex Nut
 10mm Flat Washers

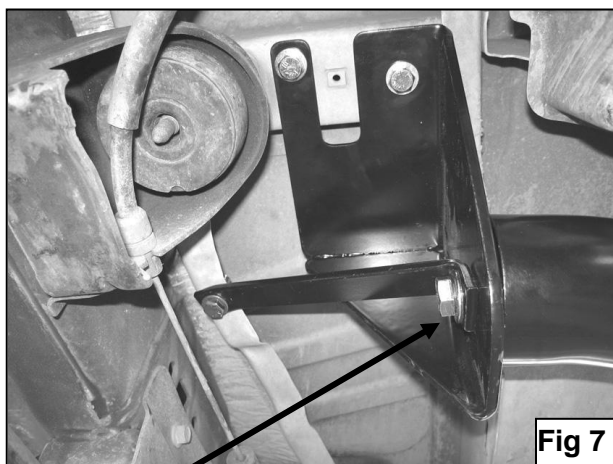


Fig 7

1/2" x 2" Hex Head Bolt
 1/2" Lock Washer
 1/2" Flat Washer

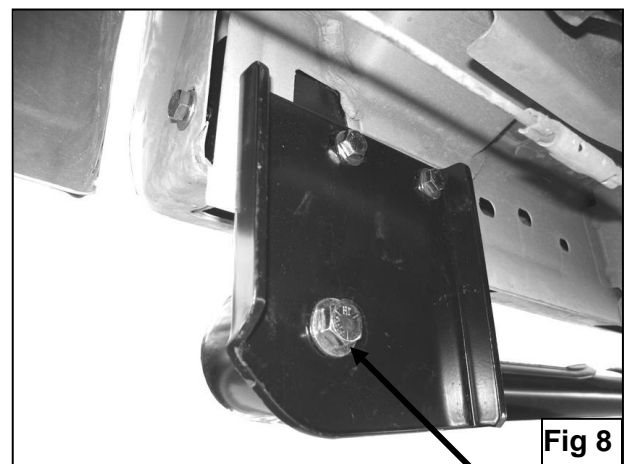


Fig 8

1/2" x 2" Hex Head Bolt
 1/2" Lock Washer
 1/2" Flat Washer