

INSTALLATION INSTRUCTIONS

SIDE BAR PART#

2000 - 10 GMC YUKON XL ½ TON 2/4WD

2000 - 10 CHEVROLET SUBURBAN ½ TON 2/4WD

Read the instructions completely before you begin the installation. NOTE: Pictures are for reference only, actual brackets may be different. Installation is the same

PARTS LIST

- | | |
|--|-------------------------------|
| (2) SIDE TUBES WITH STEPS | (4) ½" x 2" HEX HEAD BOLTS |
| (2) FRONT MOUNT BRACKETS | (10) ½" FLAT WASHERS |
| (2) REAR MOUNT BRACKETS | (10) ½" SPLIT LOCK WASHERS |
| (2) CENTER MOUNT BRACES | (2) 5/16" x 1" HEX HEAD BOLTS |
| (6) M12 – 1.75 x 120mm HEX HEAD BOLTS (ONLY FOR 00-06 MODEL) | |
| (4) 5/16" FLAT WASHERS | |
| (2) 5/16" SPLIT LOCK WASHERS | |

PROCEDURE

1. Begin installation by working on driver side of the vehicle (see Figures 1.1 – 1.4).
2. From underneath truck, loosen and remove body mount bolts that run upward through mounts into floorboard. Attach and secure Front Mount Bracket to underside of vehicles front body mount (see Figure 1.2) with (1) M12 – 1.75 x 120mm bolt (For 07 Model, use the factory bolt on the vehicle), (1) ½" split lock washer, and (1) ½" flat washer. Hand Tighten.
3. Attach and secure Rear Mount Bracket to underside of vehicles rear body mount as shown in Figure 1.4, in same manner as the front. Repeat for Center Brace,(see Figure 1.3).
4. Attach Side Tube to Front and Rear Brackets using (1) ½" x 2" bolt, (1) ½" lock washer and (1) ½" flat washer for each bracket, and hand tighten. Fasten Center Brace to Side Tube using (1) 5/16" x 1" bolt,(1)5/16" Flat washer and (2) 5/16" flat washer. Adjust Side Tube so that it is level and centered, and tighten all bolts to complete the driver-side assembly.
5. Repeat process for passenger side of vehicle to complete installation.

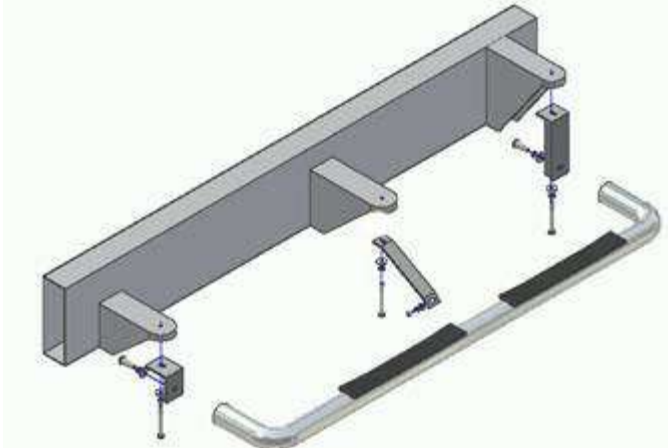


Figure 1.1 – Driver-Side Full Assembly View

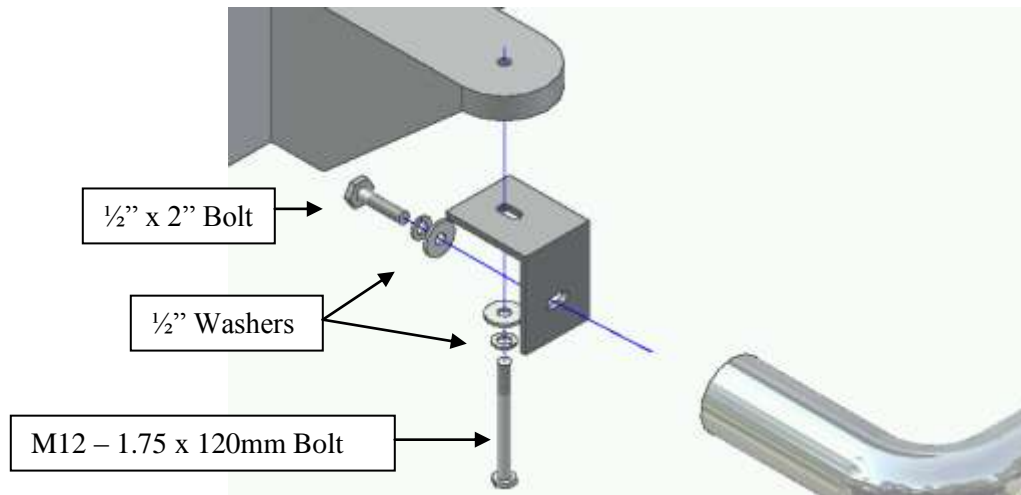


Figure 1.2 – Front Bracket

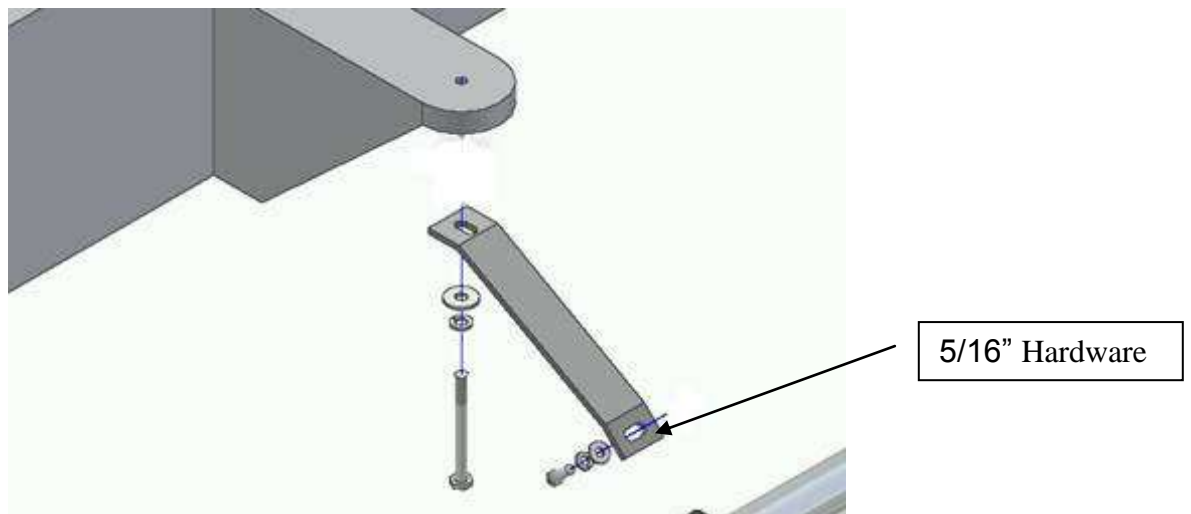


Figure 1.3 – Center Brace

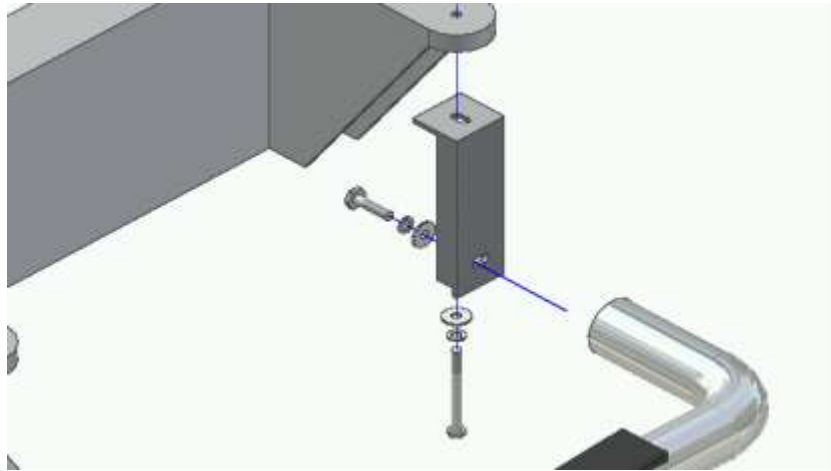


Figure 1.4 – Rear Bracket