



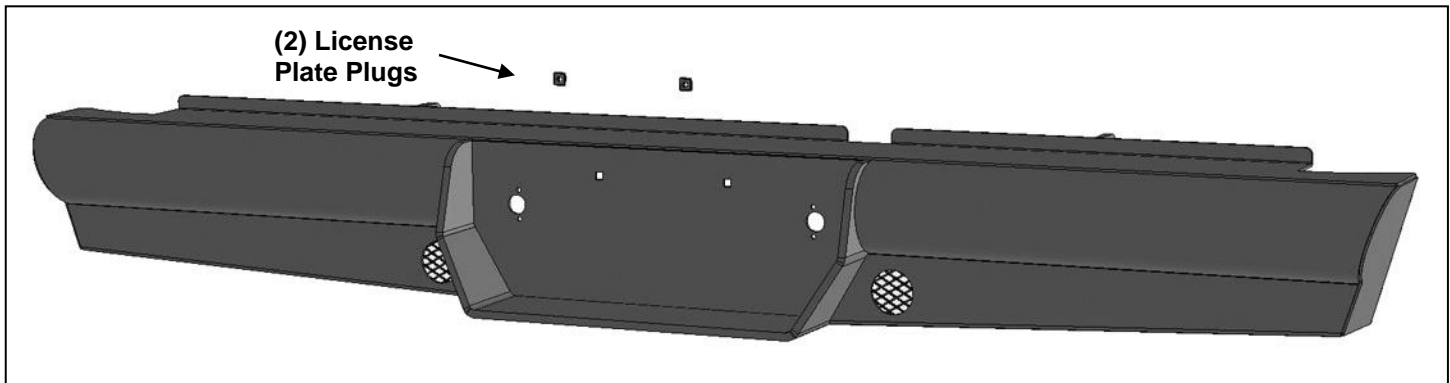
# **INSTALLATION INSTRUCTIONS**

**HD REPLACEMENT REAR BUMPER  
1994-02 DODGE RAM 2500-3500**

**HD REPLACEMENT REAR BUMPER  
1994-02 DODGE RAM 2500-3500**

**PARTS LIST:**

1	HD Replacement Rear Bumper Assembly	4	4mm x 15mm Button Head Bolts
2	License Plate Mounting Plugs	8	4mm x 8.65mm x .8mm Flat Washers
6	12-1.75mm x 50mm Hex Bolts	4	4mm Lock Washers
12	12mm x 37mm x 3mm Large Flat Washers	4	4mm Hex Nuts
6	12mm Nylon Lock Nuts	1	2.5mm Wrench



**PROCEDURE:**

**REMOVE CONTENTS FROM BOX. VERIFY ALL PARTS ARE PRESENT. READ INSTRUCTIONS CAREFULLY BEFORE STARTING INSTALLATION. BUMPER IS HEAVY, ASSISTANCE IS HIGHLY RECOMMENDED.**

1. Remove the license plate.
2. From under the bumper, unplug any/all wiring harnesses leading to the bumper. Move the wiring harness out of the way.
3. Place blocks or jack stands under the bumper to support it during bumper bolt removal. Once the bumper has been safely supported, remove the (6) factory bumper bolts attaching the outer bumper and brackets to the outside of the frame, **(Figures 1 & 2)**. **WARNING!** Assistance is required to hold the bumper in place during hardware removal to prevent the bumper from falling.
4. Remove the license plate bracket from the back of the bed, **(Figure 3)**.
5. Remove the license plate lights from the factory bumper. Attach the License Plate Lights to the HD Bumper with the included (4) 4mm Button Head Bolts, (8) 4mm Flat Washers, (4) 4mm Lock Washers and (4) 4mm Hex Nuts, **(Figures 4 & 5)**. Insert the included (2) push-in Plastic Plugs into the (2) square holes in the Bumper for the license plate.
6. With assistance, carefully position the Bumper Assembly up to the vehicle. Temporarily support the weight of the Bumper. **WARNING:** To avoid possible injury or damage to the vehicle, do not proceed until the bumper is fully and safely supported.
7. Attach the Bumper mounting tabs to the end of the outside of the frame with the included (6) 12mm x 50mm Hex Bolts, (12) 12mm Flat Washers and (6) 12mm Nylon Lock Nuts, **(Figures 6 & 7)**.
8. Level and adjust the bumper to the vehicle and fully tighten all 12mm hardware to 65-70ft-lbs.
9. Reattach the wiring harness to the license plate lights.
10. Do periodic inspections to the installation to make sure that all hardware is secure and tight.

**To protect your investment,** Do not use any type of polish or wax that may contain abrasives that could damage the finish. Mild soap may be used to clean the Bumper Assembly

**HD REPLACEMENT REAR BUMPER  
1994-02 DODGE RAM 2500-3500**

**Passenger/right Side Installation Pictured**



**(Fig 1) Remove (3) hex bolts (arrow) from each side (passenger/right side pictured)**



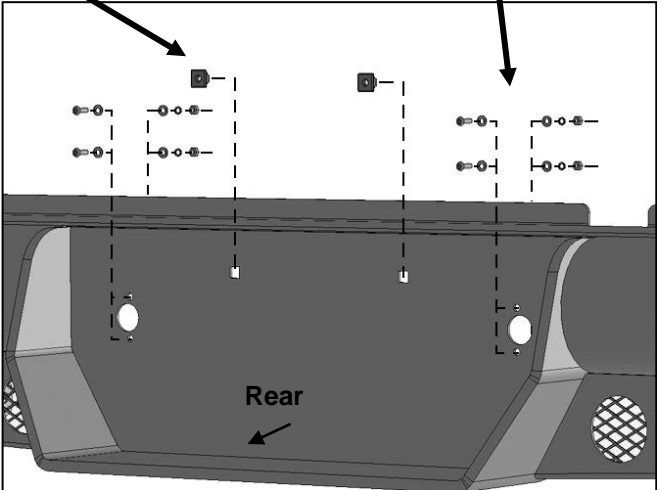
**(Fig 2) Bumper removed, do not remove receiver hitch if equipped**



**(Fig 3) Remove bumper and housing around license plate**

- (4) 4mm Button Head Bolts
- (8) 4mm Flat Washers
- (4) 4mm Lock Washers
- (4) 4mm Hex Nuts

**(2) License Plate Plugs**



**(Fig 4) Attach factory license plate lights to Bumper. Insert (2) Plastic Plugs for license plate**

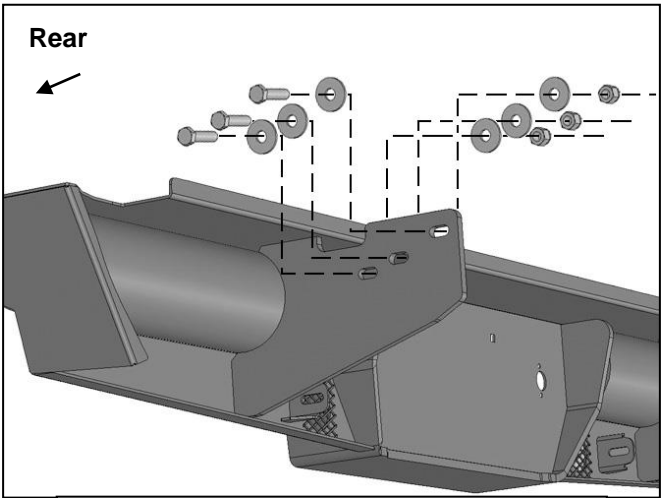
**HD REPLACEMENT REAR BUMPER  
1994-02 DODGE RAM 2500-3500**

**Passenger/right Side Installation Pictured**

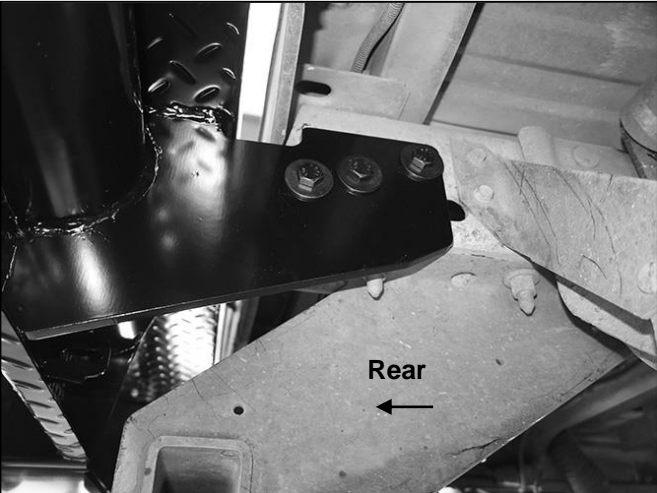


**(Fig 5) Attach factory license plate lights to Bumper. Insert (2) Plastic Plugs for license plate**

- (6) 12mm x 50mm Hex Bolts**
- (12) 12mm Flat Washers**
- (6) 12mm Nylon Lock Nuts**



**(Fig 6) Attach Bumper to outside of frame**



**(Fig 7) Passenger/right side of Bumper installed (pictured from below/behind Bumper)**

**Complete Installation**

