



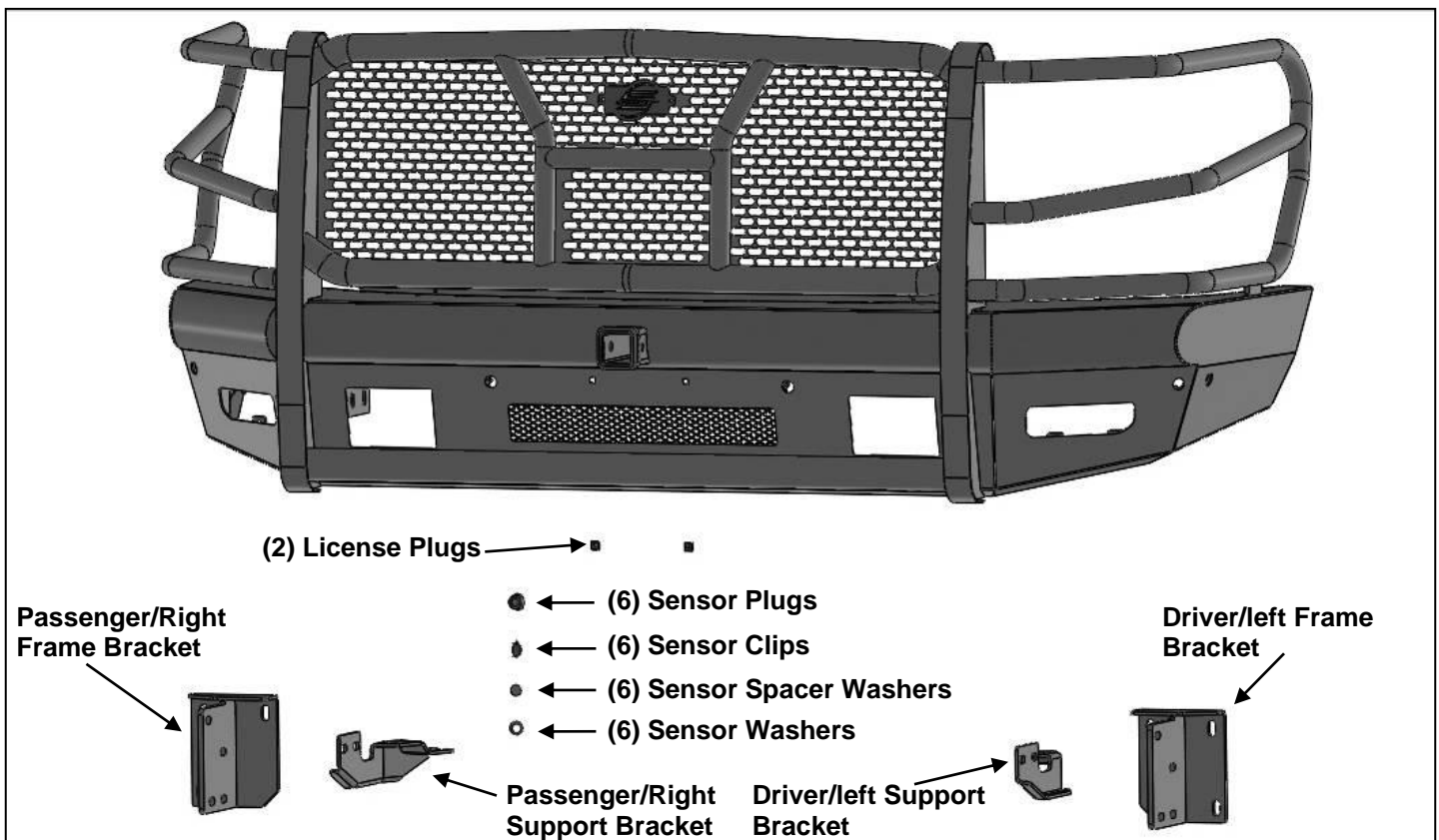
INSTALLATION INSTRUCTIONS

**HD REPLACEMENT FRONT BUMPER
2019 RAM 1500**

**HD REPLACEMENT FRONT BUMPER
2019 RAM 1500**

PARTS LIST:

1	HD Replacement Bumper	2	14mm Lock Washers
1	Driver/Left Frame Mounting Bracket	4	14mm Nylon Lock Nuts
1	Passenger/Right Frame Mounting Bracket	14	12-1.75mm x 55mm Hex Bolts
1	Driver/Left Support Bracket	28	12mm x 32mm x 3mm Flat Washers
1	Passenger/Right Support Bracket	14	12mm Nylon Lock Nuts
2	License Plastic Plugs	12	6-1.00mm x 20mm Hex Bolts
6	Sensor Hole Plugs	24	6mm x 18mm x 1.6mm Flat Washers
6	20mm x 2mm Foam Washers	12	6mm Nylon Lock Nuts
6	15.5mm x 25mm x 2mm Foam Washers	12	4mm x 10mm Button Head Bolts
6	Sensor Retaining Clips	1	4mm Hex Wrench
6	14-2mm x 50mm Hex Bolts	1	Sensor Cover Kit
10	14mm x 44mm x 3mm Flat Washers		



PROCEDURE:

REMOVE CONTENTS FROM BOX. VERIFY ALL PARTS ARE PRESENT. READ INSTRUCTIONS CAREFULLY BEFORE STARTING INSTALLATION. BUMPER IS HEAVY, ASSISTANCE IS HIGHLY RECOMMENDED TO AVOID POSSIBLE INJURY OR DAMAGE TO THE VEHICLE.

1. Remove the license plate and bracket.
2. Move to the Driver/Left side of the bumper. Remove the screws attaching the plastic splash guard to the outside of the lower frame. Repeat to remove the screws from the Passenger/Right side of the frame, **(Figure 1)**. On models equipped with active front air dam, temporarily remove the air dam assembly for easier access to bumper hardware, **(Figure 2)**.
3. Models with factory fog lights and sensors, unplug wiring harness leading to the bumper. Move harness away from bumper to avoid damage.
4. Place blocks or jack stands under the front bumper to support it during mounting bolt removal. Once the bumper has been safely supported, remove the (3) hex nuts attaching each bumper bracket to the end

HD REPLACEMENT FRONT BUMPER 2019 RAM 1500

of the frame, **(Figure 3)**. **WARNING!** Assistance is required to hold the bumper in place during hardware removal to prevent the bumper from falling. Slide the bumper off the end of the frame.

5. Models equipped with sensors and/or fog lights, remove the wiring harness. Remove the sensors and fog lights if equipped. Note location of each sensor for correct reinstallation.
6. On models equipped with tow hooks, loosen the hex bolts and slide the tow hook out from under the hardware, **(Figure 4)**. **IMPORTANT:** The rear bolts attaching the tow hooks to the bottom of the frame are body mounting bolts and cannot be removed. Only loosen the bolts to remove both tow hooks.
7. Select the Driver/Left Support Bracket. Slide the inner end of the Support Bracket under the inner body bolt. Attach the forward end of the Support Bracket to the bottom of the frame with (1) 14mm x 50mm Hex Bolt, (1) 14mm Lock Washer and (1) 14mm Flat Washer, **(Figures 5 & 7)**. **NOTE:** On models with tow hooks, reuse the factory hex bolt to attach the Support Bracket to the frame, **(Figure 7)**. Do not tighten hardware at this time.
8. Select the Driver/Left side Frame Mounting Bracket. Attach the Bracket to the end of the frame with (3) 12mm x 55mm Hex Bolts, (6) 12mm Flat Washers and (3) 12mm Nylon Lock Nuts, **(Figures 6 & 7)**.
9. Repeat **Steps 7 & 8** to install the Passenger/Right side Frame and Support Brackets, **(Figure 8)**.
10. **Determine if vehicle is equipped with sensors and/or fog lights**

Models without sensors:

- a. Select the included (6) Rubber Plugs.
- b. From behind bumper, push plugs into sensor mounting sleeves, **(Figure 9)**.

Models with bumper mounted sensors:

- a. Remove the seal from the end of the sensor, **(Figure 10)**. Replace seal with the included larger Foam Seal. Insert sensors into bumper in the order they were removed, **(Step 5)**. Push the sensor into the mounting socket in the back of the bumper.
- b. Apply (1) Foam Washer to the back of the sensor, **(Figure 11)**. Trim Washer as required.
- c. Secure the sensor to the socket with (1) Sensor Retaining Clip, **(Figure 11)**.
- d. Repeat previous **Steps** for remaining sensor installations.
- e. Reinstall the factory wiring harness.

Models with fog lights:

- a. Attach each light assembly with plastic housing to the mounting tabs on the back of the bumper with (4) 6mm x 25mm Hex Bolts, (8) 6mm Flat Washers and (4) 6mm Nylon Lock Nuts, **(Figures 12 & 13)**. **IMPORTANT:** Do not overtighten hex bolts to avoid damaging plastic light mount.
 - b. Reattach the factory wiring harness to the fog lights.
11. With assistance, position the Bumper Assembly up to the inside of the Frame Brackets. Temporarily support the weight of the Bumper. **WARNING:** To avoid possible injury or damage to the vehicle, do not proceed until the Bumper is fully and safely supported.
 12. Line up the top (2) holes in the Driver/Left side mounting plate on the back of the Bumper with the top slots in the Frame Bracket. Attach the Bumper to the Bracket with (2) 12mm x 55mm Hex Bolts, (4) 12mm Flat Washers and (2) 12mm Nylon Lock Nuts, **(Figure 14)**. Do not tighten hardware at this time. Repeat this **Step** to attach the Passenger/Right side of the Bumper to the Frame Bracket.
 13. Next, line up the (2) lower mounting slots in the Driver/Left side of the Bumper with the Mounting Bracket and Support Bracket. Attach the Brackets to the Bumper with (2) 12mm x 55mm Hex Bolts, (4) 12mm Flat Washers and (2) 12mm Nylon Lock Nuts, **(Figure 15)**. Repeat this **Step** to attach the Passenger/Right side of the Bumper to the Brackets.
 14. **Models with tow hooks**, attach the Driver/Left tow hook to the mounting location next to the Bumper Bracket with (2) 14mm Hex Bolts, (4) 14mm Flat Washers and (2) 14mm Nylon Lock Nuts, **(Figures 16 & 17)**. Repeat this **Step** to install the Passenger/Right tow hook.
 15. On models with grille mounted camera, remove screen from center of grille guard, **(Figure 18)**.
 16. Select the Driver/Left splash guard. Attach the splash guard to the side of the bumper with (2) 6mm Hex Bolts, (4) 6mm Flat Washers and (2) 6mm Nylon Lock Nuts, **(Figure 19)**. Repeat this **Step** to attach the Passenger/Right Splash Guard. Do not tighten hardware at this time.
 17. Use the included (2) License Plate Plugs to attach the front license plate, (if required), to the (2) holes in the front of the Bumper, **(Figure 20)**.
 18. Reinstall the active air dam if previously removed.
 19. Level and adjust the bumper and fully tighten all hardware.

**HD REPLACEMENT FRONT BUMPER
2019 RAM 1500**

20. Do periodic inspections to the installation to make sure that all hardware is secure and tight.

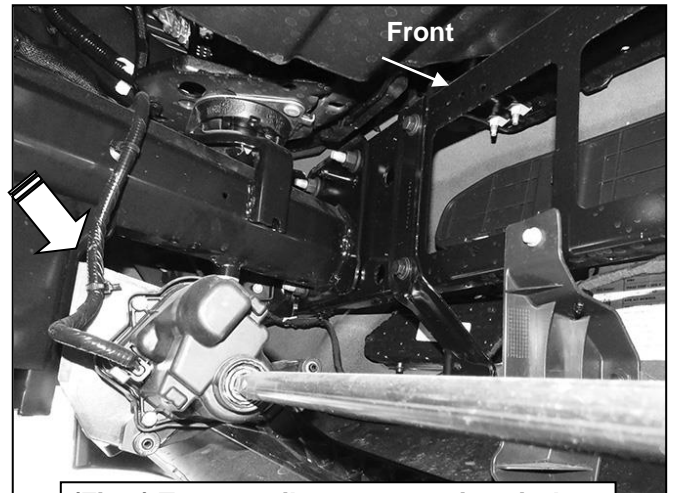
To protect your investment, do not use any type of polish or wax that may contain abrasives that could damage the finish. Mild soap may be used to clean the Bumper assembly.

Driver/Left Side Installation Pictured

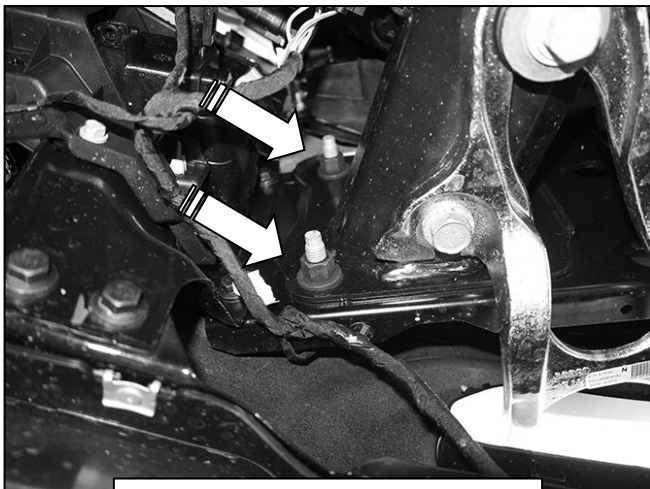


(Fig 1) Remove screws attaching plastic splash guard to frame. Passenger/Right side pictured

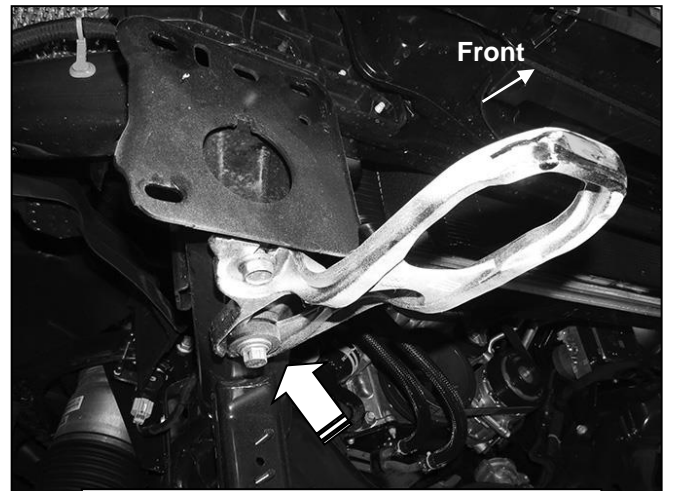
WARNING! Do not remove bumper bolts unless the bumper is properly supported on blocks or stands or the bumper may fall.



(Fig 2) Temporarily remove active air dam for better access to bumper hardware.



(Fig 3) With assistance, remove the bumper mounting bolts.

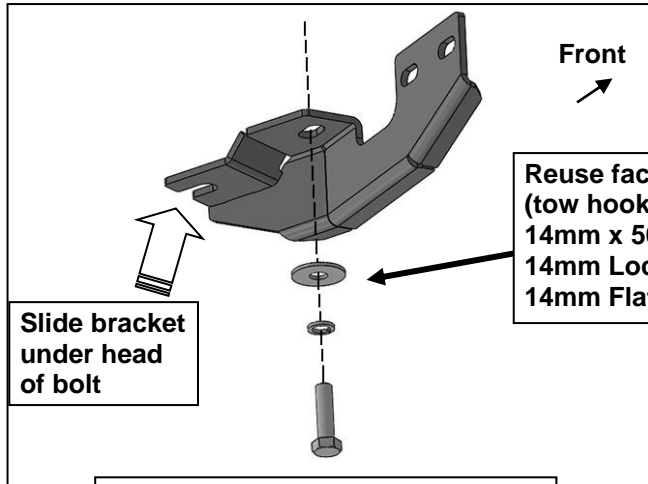


(Fig 4) Remove tow hook. **IMPORTANT:** Loosen but do not remove rear **bolt**. Passenger/Right side pictured

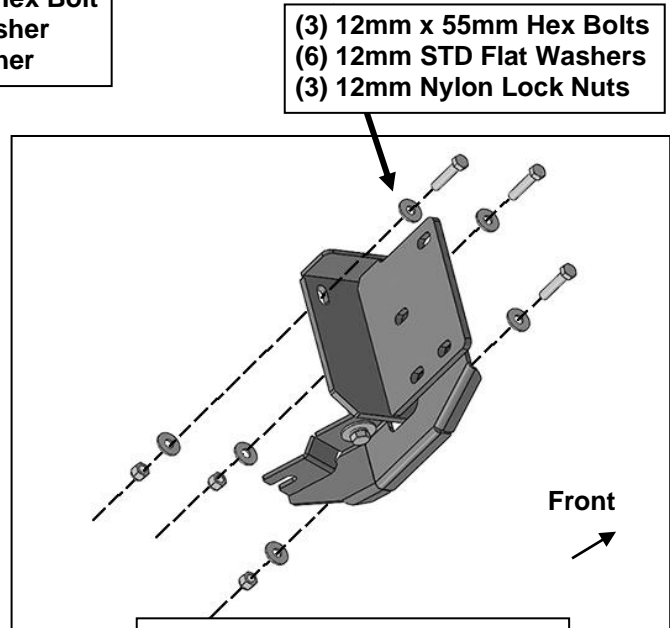
**HD REPLACEMENT FRONT BUMPER
2019 RAM 1500**

Driver/Left Side Installation Pictured

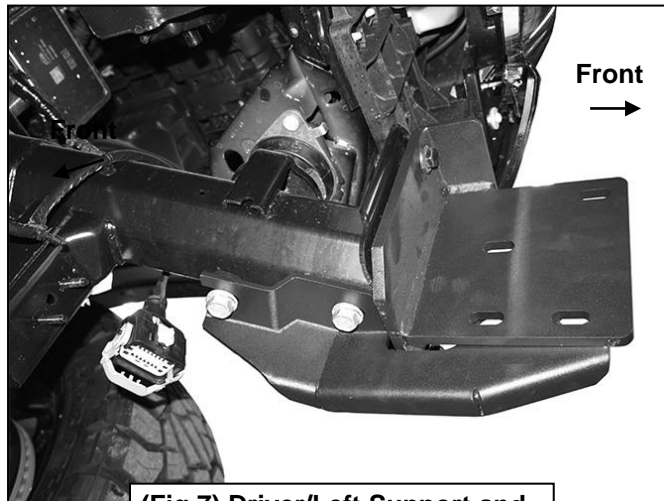
WARNING! Do not remove bumper bolts unless the bumper is properly supported on blocks or stands or the bumper may fall.



(Fig 5) Attach Driver/Left Support Bracket to the bottom of the frame



(Fig 6) Attach Driver/Left Frame Bracket to the end of the frame



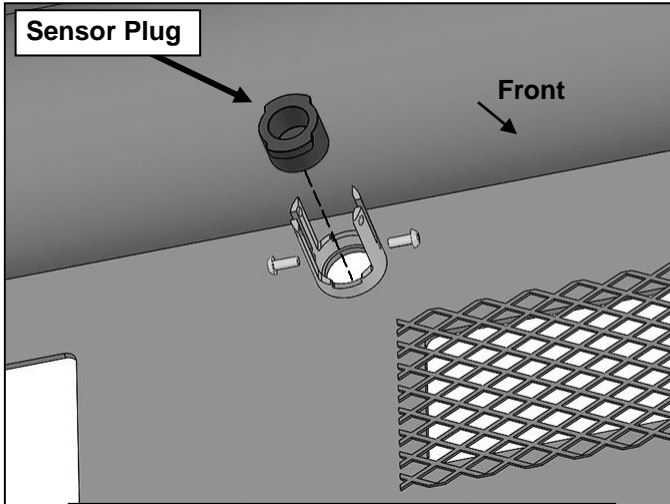
(Fig 7) Driver/Left Support and Frame Brackets attached

WARNING! Do not crawl under bumper unless the bumper is properly supported on blocks or stands or the bumper may fall.

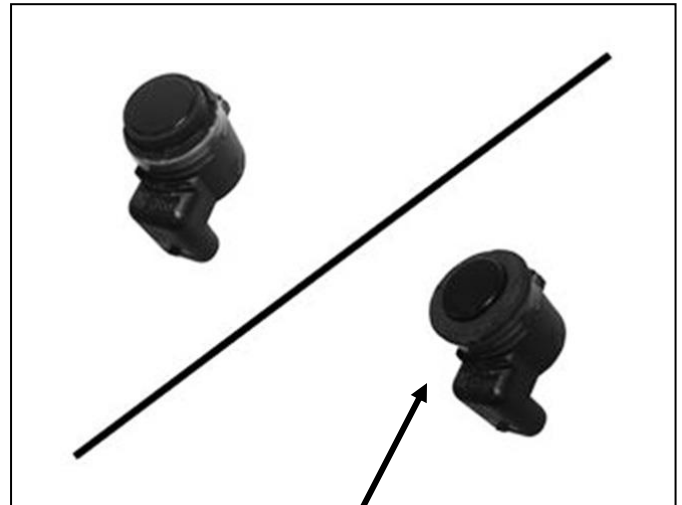


(Fig 8) Frame and Support Brackets installed

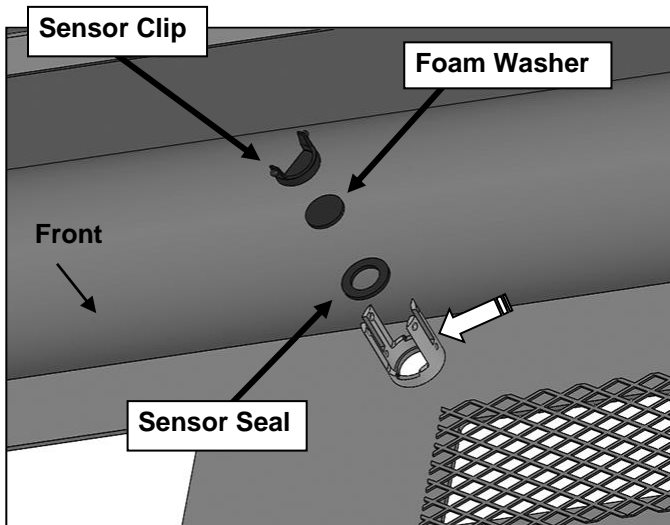
Driver/Left Side Installation Pictured



(Fig 9) Push sensor plug into mounting sleeve. Use of 4mm Screws is optional

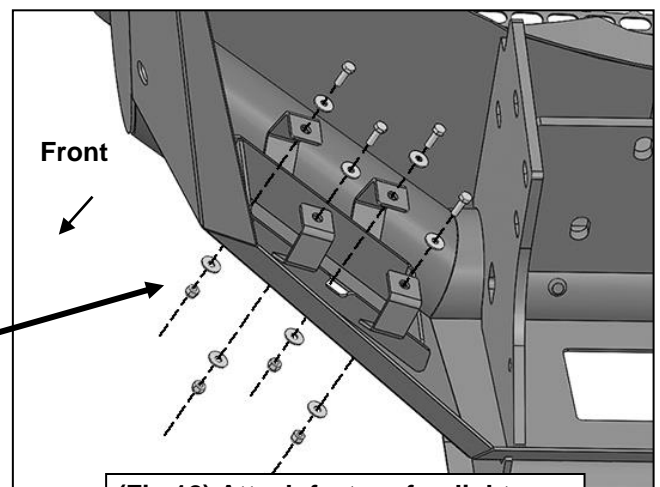


(Fig 10) Remove silicone seal from sensor. Slide large Seal over end of sensor



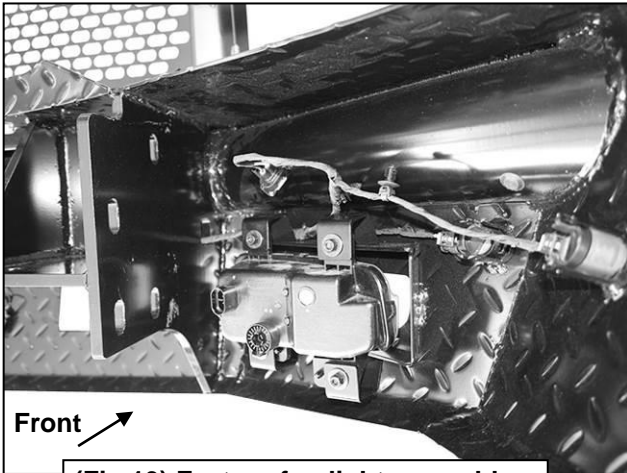
(Fig 11) Slide sensor into sleeve, insert Foam Washer and Clip to lock sensor in sleeve

- (4) 6mm x 20mm Hex Bolts
- (8) 6mm Flat Washers
- (4) 6mm Nylon Lock Nuts



(Fig 12) Attach factory fog light assembly (if equipped) to mounting brackets on back of Bumper

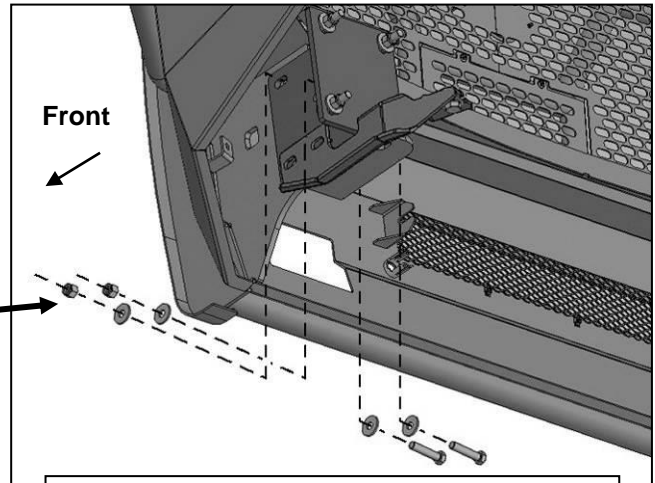
Driver/Left Side Installation Pictured



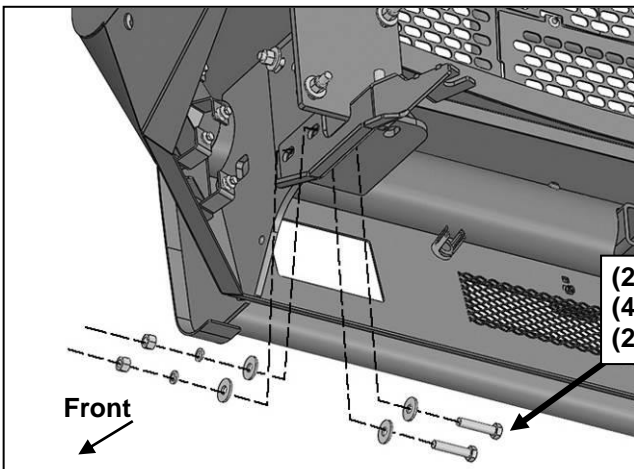
(Fig 13) Factory fog light assembly installed (Passenger/Right pictured)

WARNING! Do not crawl under bumper unless the bumper is properly supported on blocks or stands or the bumper may fall.

- (2) 12mm x 55mm Hex Bolts
- (4) 12mm Flat Washers
- (2) 12mm Nylon Lock Nuts



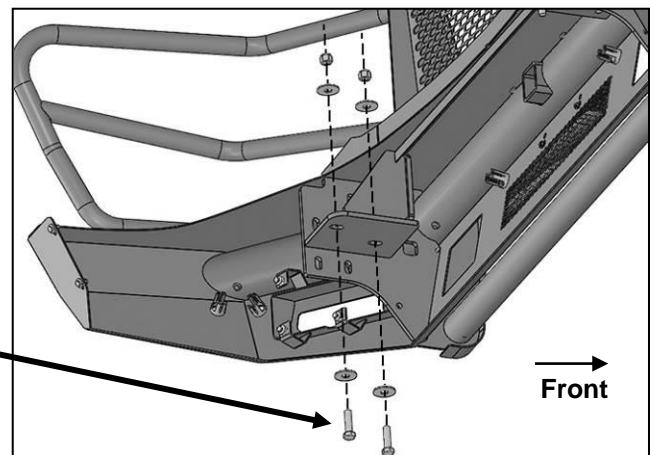
(Fig 14) Attach top (2) slots in Driver/Left side of Bumper to inside of Frame Bracket



(Fig 15) Attach lower (2) slots in Bumper to inside of Frame Bracket and Support Bracket

- (2) 12mm x 55mm Hex Bolts
- (4) 12mm Flat Washers
- (2) 12mm Nylon Lock Nuts

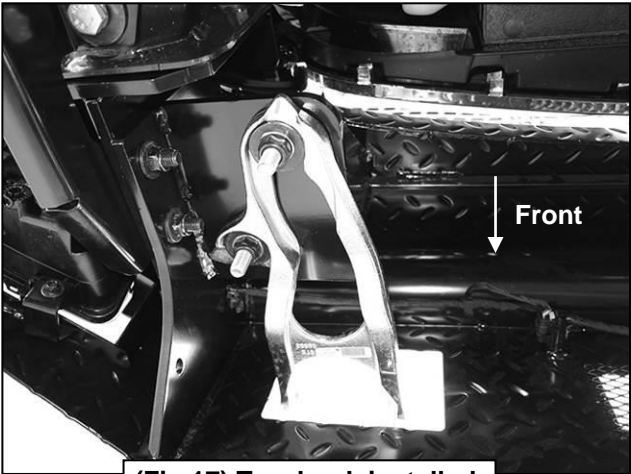
- (2) 14mm x 50mm Hex Bolts
- (4) 14mm Flat Washers
- (2) 14mm Nylon Lock Nuts



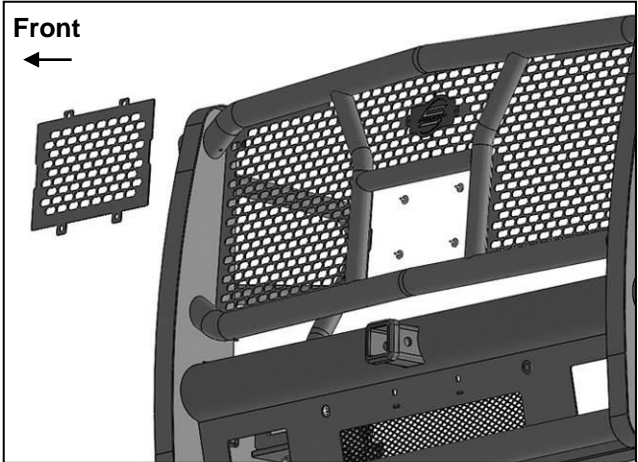
(Fig 16) Attach Driver/Left tow hook to Bumper

**HD REPLACEMENT FRONT BUMPER
2019 RAM 1500**

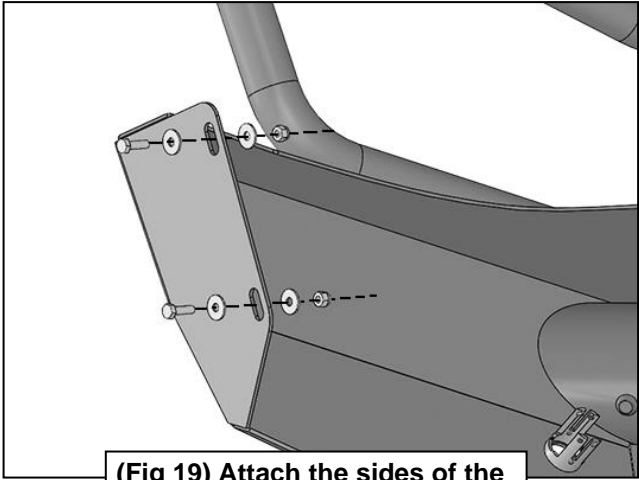
Driver/Left Side Installation Pictured



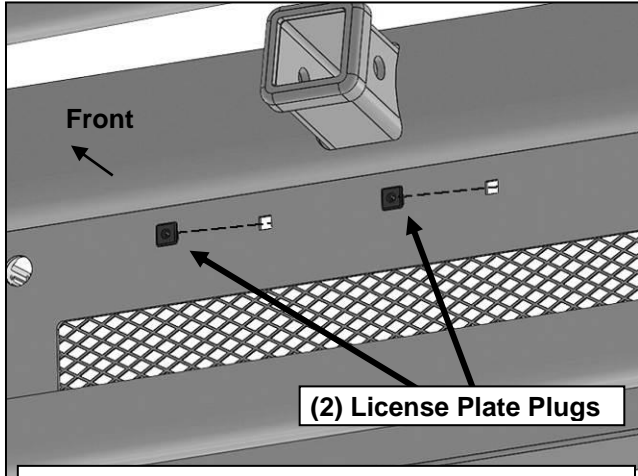
(Fig 17) Tow hook installed



(Fig 18) Models with camera, remove mesh panel



(Fig 19) Attach the sides of the bumper to the splash guard



(Fig 20) Attach License Plate Plugs to Bumper



Complete Installation