



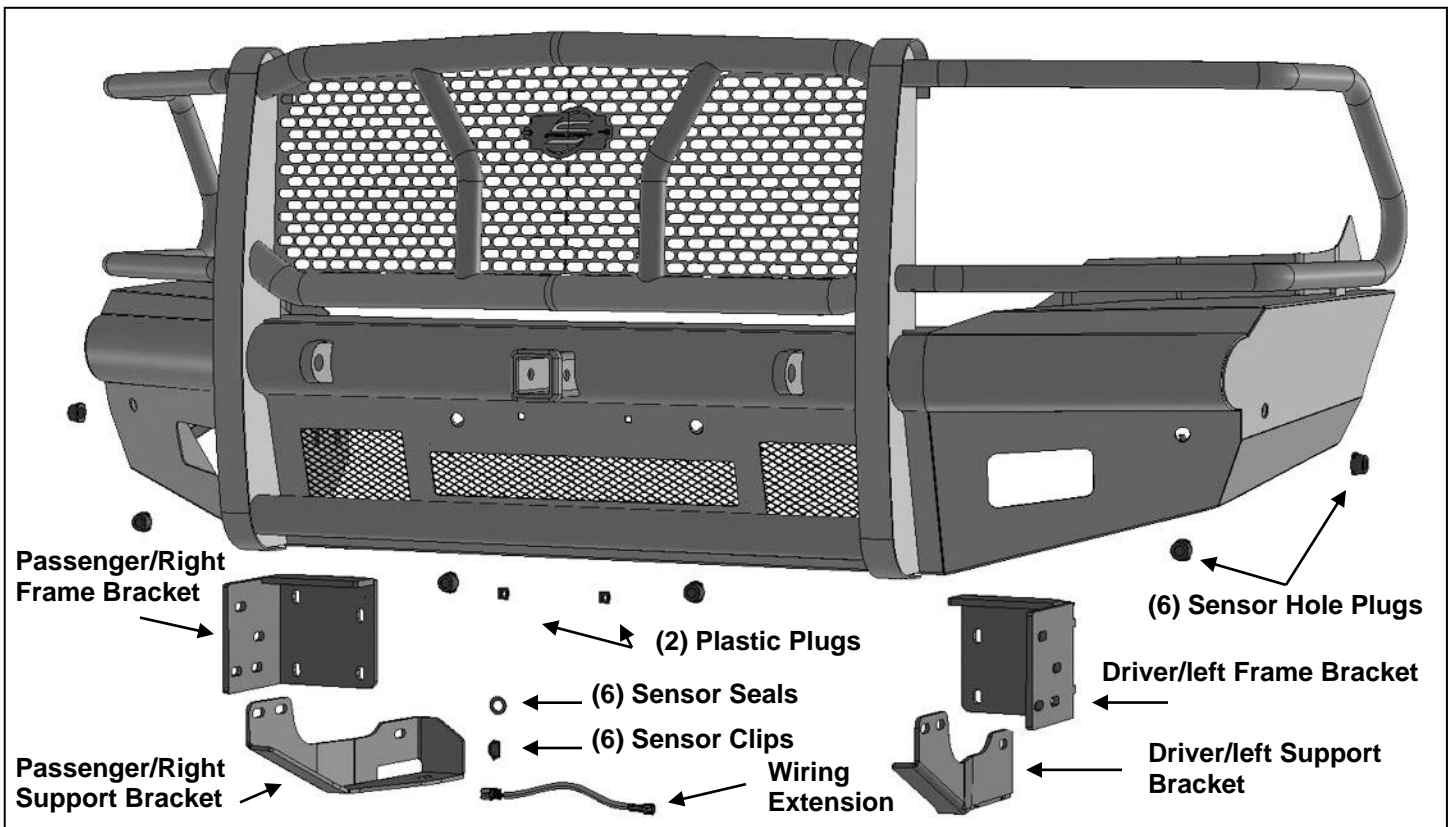
INSTALLATION INSTRUCTIONS

**HD REPLACEMENT FRONT BUMPER
2013-18 RAM 1500**

**HD REPLACEMENT FRONT BUMPER
2013-18 RAM 1500**

PARTS LIST:

1	Bumper Assembly	14	12-1.75mm x 55mm Hex Bolts
1	Driver/left Frame Mounting Bracket	2	12mm x 44mm x 4mm Large Flat Washers
1	Passenger/right Frame Mounting Bracket	32	12mm x 37mm x 3mm Flat Washers
1	Driver/left Support Bracket	2	12mm Lock Washers
1	Passenger/right Support Bracket	16	12mm Nylon Lock Nuts
2	Plastic Plugs for license plate mount	2	10-1.5mm x 40mm Hex Bolts
6	Sensor Hole Plugs	4	10mm x 30mm OD x 2.5mm Flat Washers
6	Sensor Sealing Washers	2	10mm Nylon Lock Nuts
6	Sensor Clips	6	6-1.00mm x 25mm Hex Bolts
1	Sensor Cover Kit	12	6mm x 18mm x 1.6mm Flat Washers
3	Sensor Harness Extensions	6	6mm Nylon Lock Nuts
2	12-1.5mm x 35mm Fine Thread Hex Bolts	12	4mm x 10mm Button Head Bolts
2	12-1.75mm x 130mm Hex Bolts	1	2.5mm Wrench



PROCEDURE:

REMOVE CONTENTS FROM BOX. VERIFY ALL PARTS ARE PRESENT. READ INSTRUCTIONS CAREFULLY BEFORE STARTING INSTALLATION. BUMPER IS HEAVY, ASSISTANCE IS HIGHLY RECOMMENDED TO AVOID POSSIBLE INJURY OR DAMAGE TO THE VEHICLE.

1. Remove the license plate and bracket.
2. Next, remove the plastic fascia fill panel between the headlights and the top of the bumper. **NOTE:** Release inner fender liner to access hardware attaching the ends of fascia panel to the bottom of the front fenders, **(Figures 1—3)**. On some model years, it may be necessary to temporarily remove the grille to remove the fascia or 1pc plastic bumper cover.
3. On models with factory fog lights and/or sensors, unplug wiring harness leading to the bumper, **(Figure 4)**. Release the harness from the clips attached to the back of the bumper and move harness away.

HD REPLACEMENT FRONT BUMPER
2013-18 RAM 1500

4. On models equipped with tow hooks, remove the tow hooks and mounting brackets. **NOTE:** Tow hooks cannot be reinstalled.
5. Place blocks or jack stands under the front bumper to support it during mounting bolt removal. Once the bumper has been safely supported, remove the (3) hex nuts attaching each bumper bracket to the end of the frame, **(Figure 5)**. **WARNING!** Assistance is required to hold the bumper in place during hardware removal to prevent the bumper from falling. Slide the bumper off of the end of the frame.
6. Next, remove the plastic inner support blocks from the bottom of the grille and headlights, **(Figure 6)**.
7. Select the driver/left side Frame Mounting Bracket, **(Figure 7)**. **NOTE:** Holes in mounting flange on end of frame are two sizes (3-large, 1-small). Attach the Bracket to the end of the frame with (3) 12mm x 55mm Hex Bolts, (6) 12mm STD Flat Washers and (3) 12mm Nylon Lock Nuts. Use (1) 10mm x 40mm Hex Bolt, (2) 10mm Flat Washers and (1) 10mm Nylon Lock Nut to attach the Bracket to the smaller, top inner mounting hole in the bumper flange, **(Figures 7 & 8)**.
8. Select the driver/left Support Bracket, **(Figure 9)**. Line up the forward end of the Support Bracket with the inside of the Frame Bracket. Insert (1) 12mm x 130mm Hex Bolt with (1) 12mm STD Flat Washer through the Support Bracket first and through the frame extension. Secure the Support Bracket to the frame extension with (1) 12mm x 44mm Large Flat Washer and (1) 12mm Nylon Lock Nut. Attach the Support Bracket to the bottom of the frame extension with (1) 12-1.5mm x 35mm **Special Fine Thread Hex Bolt**, (1) 12mm Lock Washer and (1) 12mm STD Flat Washer, **(Figures 9 & 10)**. Snug but do not fully tighten hardware at this time. **IMPORTANT:** Do not overtighten the long 12mm Hex Bolt.
9. Repeat **Steps 7 & 8** to install the passenger/right side Frame and Support Brackets.

Models without bumper sensors:

- a. Select the included (6) Rubber Plugs.
- b. From behind bumper, push plugs into sensor mounting holes, **(Figure 11)**.

Models with bumper mounted sensors:

- a. Unplug and remove sensors and wiring harness from factory bumper.
 - b. Remove the silicone seal from the end of the sensor. Slide the included larger Sensor Seal over front of sensor, **(Figure 12)**.
 - c. Insert sensor with Seal into sensor mount, **(Figure 13)**.
 - d. Push Sensor Retaining Clip into sensor mount and lock into mounting holes, **(Figure 13)**.
 - e. Repeat previous Steps to install remaining sensors.
 - f. Install wiring harness for sensors. **NOTE:** Use the included Wire Harness Extension Cables as required to reach the sensors.
 - g. **Optional:** Secure each sensor to the socket with (2) 4mm x 10mm Button Head Screws. **IMPORTANT:** Sensors fit snug in sockets. The 4mm Screws are used to apply slight pressure to lock the sensors in place. Tighten both screws evenly until they touch the sensor body only. Do not overtighten screws or damage to sensors will result.
10. With assistance, position the Bumper Assembly up to the inside of the Frame Brackets, **(Figure 14)**, between the Frame Brackets and the Support Brackets. Temporarily support the weight of the Bumper. **WARNING:** To avoid possible injury or damage to the vehicle, do not proceed until the Bumper is fully and safely supported.
 11. Line up the (4) slots in the driver/left mounting plate on the back of the Bumper with the slots in the Frame Bracket and Support Bracket. Attach the Bumper to the Brackets with the included (4) 12mm x 55mm Hex Bolts, (8) 12mm STD Flat Washers and (4) 12mm Nylon Lock Nuts, **(Figures 14 & 15)**. Do not fully tighten hardware at this time. Repeat this **Step** to attach the passenger side of the Bumper.
 12. Level and adjust the bumper and fully tighten all 12mm hardware to 65-70ft-lbs.
 13. **Models with fog lights:**
 - a. Attach each light assembly with plastic housing to the mounting tabs on the back of the bumper with (3) 6mm x 25mm Hex Bolts, (6) 6mm Flat Washers and (3) 6mm Nylon Lock Nuts, **(Figures 16 & 17)**. **IMPORTANT:** Do not overtighten hex bolts to avoid damaging plastic light mount.
 14. Reattach the factory wiring harness in the Bumper to the main harness.
 15. Use the included (2) push-in Plastic Plugs to attach the front license plate, (if required), to the (2) holes in the front of the Bumper, **(Figure 18)**.
 16. Do periodic inspections to the installation to make sure that all hardware is secure and tight.

HD REPLACEMENT FRONT BUMPER 2013-18 RAM 1500

To protect your investment, Do not use any type of polish or wax that may contain abrasives that could damage the finish. Mild soap may be used to clean the Bumper assembly.

Driver Side Installation Pictured



(Fig 1) Remove hardware attaching plastic fender liner to fender

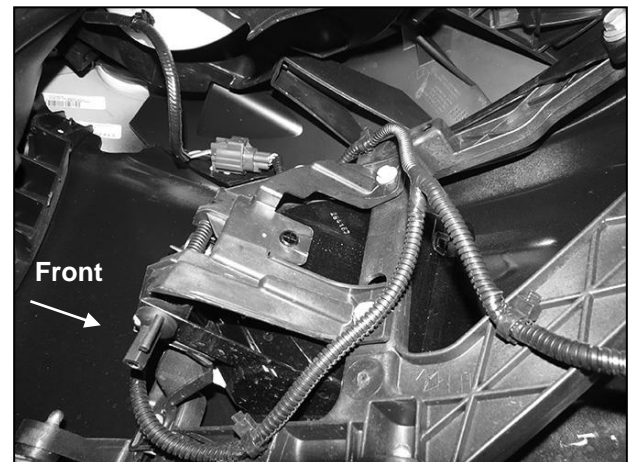


(Fig 2) Pull back fender liner to locate fascia attachment at bottom of front fender



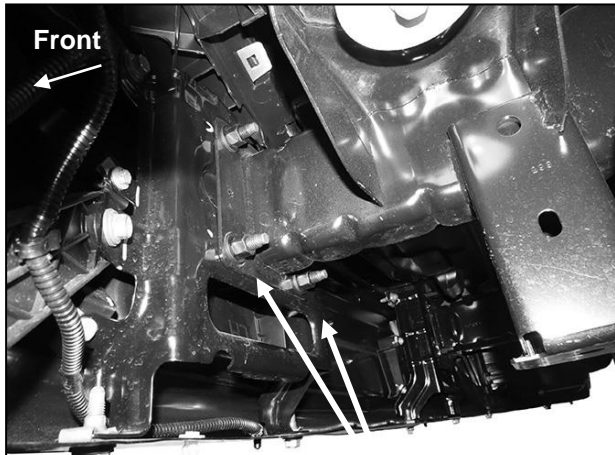
(Fig 3) Remove fascia body panel from top of bumper, (arrows) or 1pc plastic bumper cover

WARNING! Do not remove bumper bolts unless the bumper is properly supported on blocks or stands or the bumper may fall.

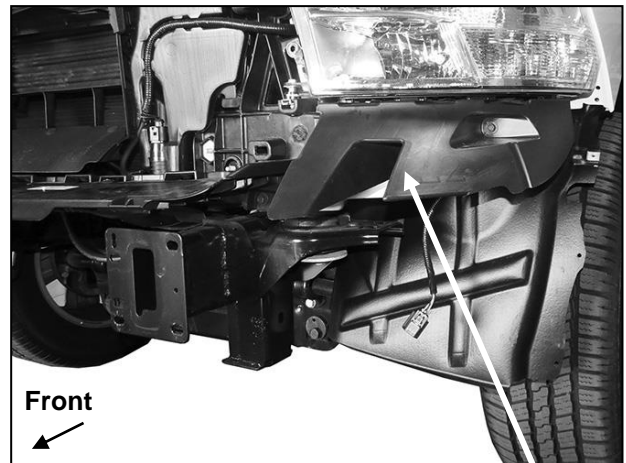


(Fig 4) Unplug lights and sensors if equipped. Unplug harness to bumper and move harness

Driver Side Installation Pictured



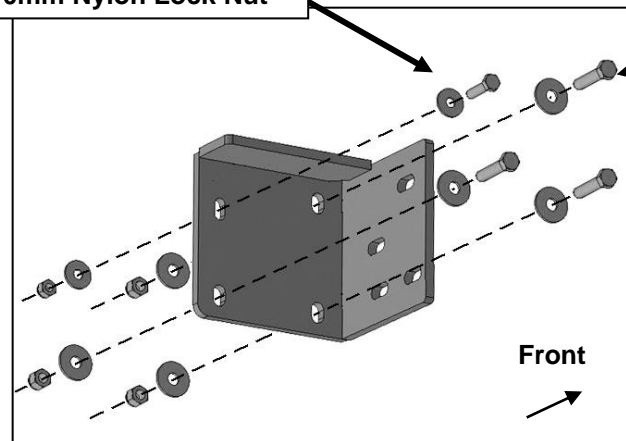
(Fig 5) Remove (3) factory hex nuts from each side



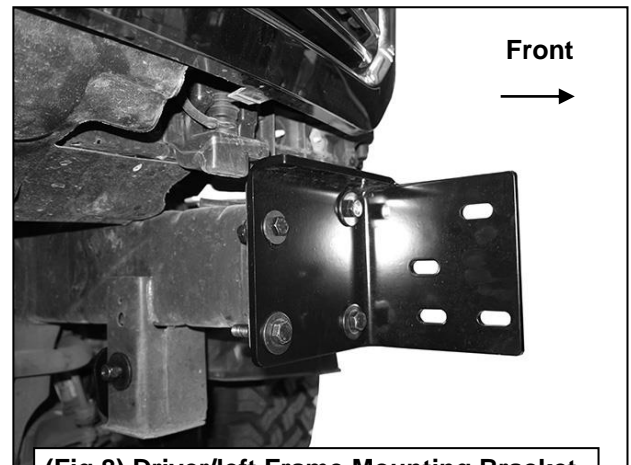
(Fig 6) Remove plastic blocks from below headlight and from below grille

10mm x 40mm Hex Bolt
(2) 10mm Flat Washers
10mm Nylon Lock Nut

(3) 12mm x 55mm Hex Bolts
(6) 12mm STD Flat Washers
(3) 12mm Nylon Lock Nuts



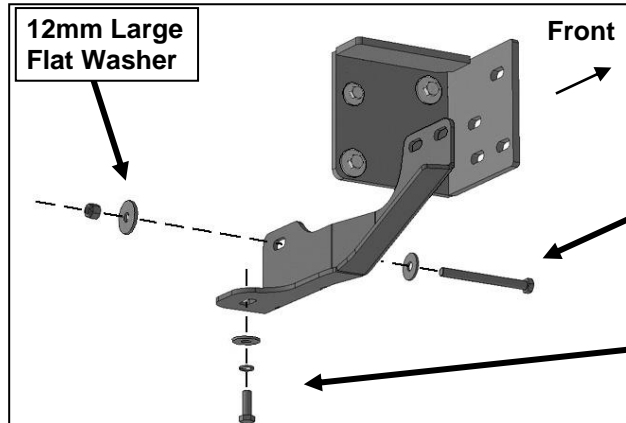
(Fig 7) Attach driver/left Bracket to end of frame



(Fig 8) Driver/left Frame Mounting Bracket

12mm Large Flat Washer

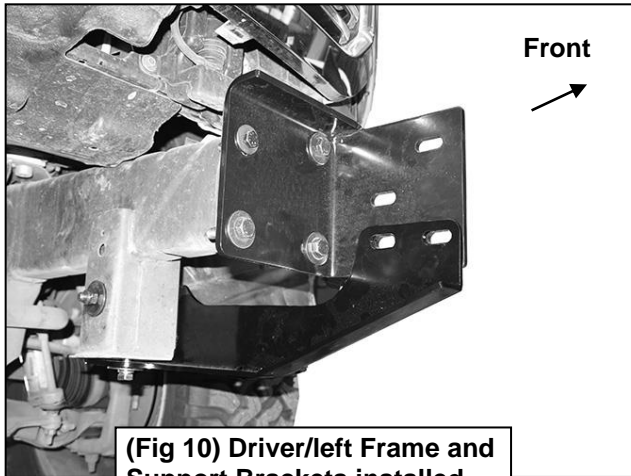
12mm x 130mm Hex Bolt
12mm STD Flat Washer
12mm Large Flat Washer
12mm Nylon Lock Nut



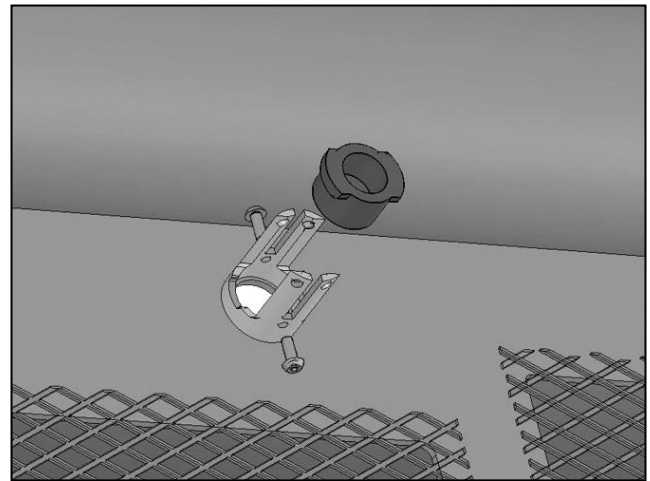
12-1.5mm x 35mm FINE THREAD Hex Bolt
12mm Lock Washer
12mm STD Flat Washer

(Fig 9) Attach driver/left Support Bracket

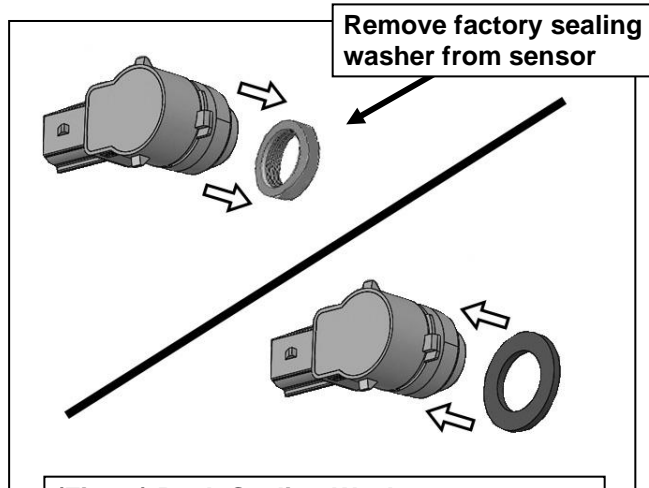
Driver Side Installation Pictured



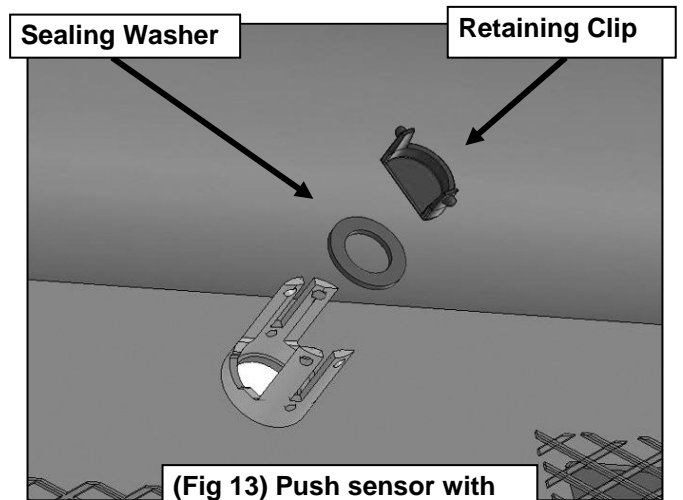
(Fig 10) Driver/left Frame and Support Brackets installed



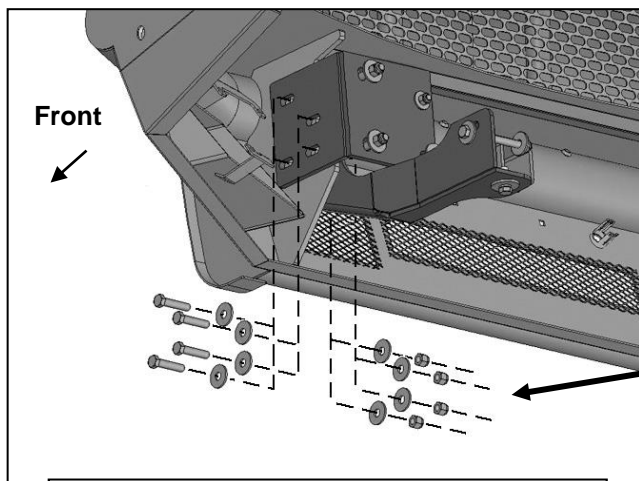
(Fig 11) Push Rubber Plug into mounting sleeve



(Fig 12) Push Sealing Washer onto sensor



(Fig 13) Push sensor with Sealing Washer into sleeve

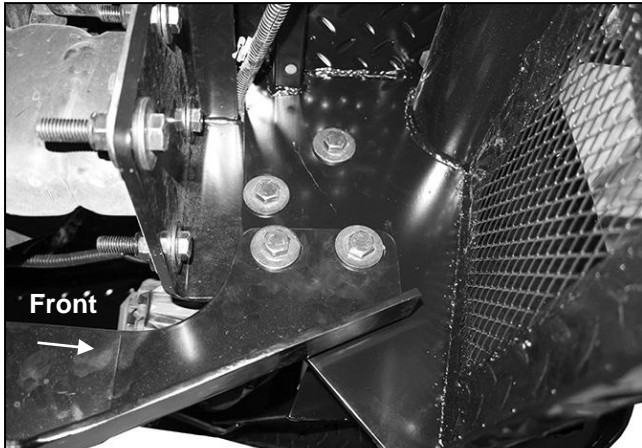


(Fig 14) Attach Driver/left side of Bumper assembly to Bracket assembly (Figure 10)

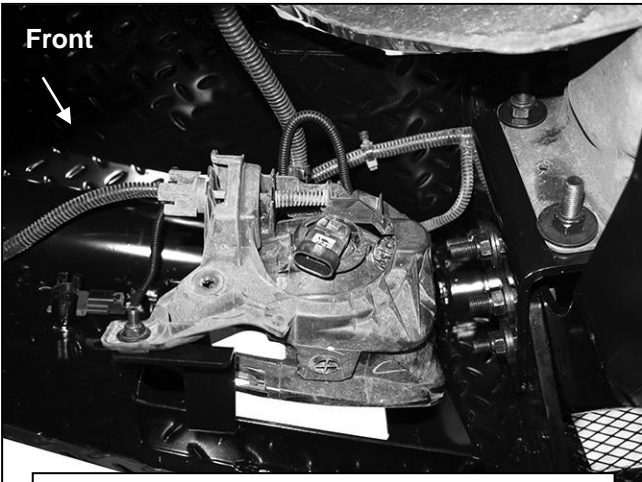
- (3) 12mm x 55mm Hex Bolts
- (6) 12mm STD Flat Washers
- (3) 12mm Nylon Lock Nuts

WARNING! Do not crawl under bumper unless the bumper is properly supported on blocks or stands or the bumper may fall.

Driver Side Installation Pictured



(Fig 15) Attach Driver/left side of Bumper assembly to Bracket (pictured from behind Bumper)

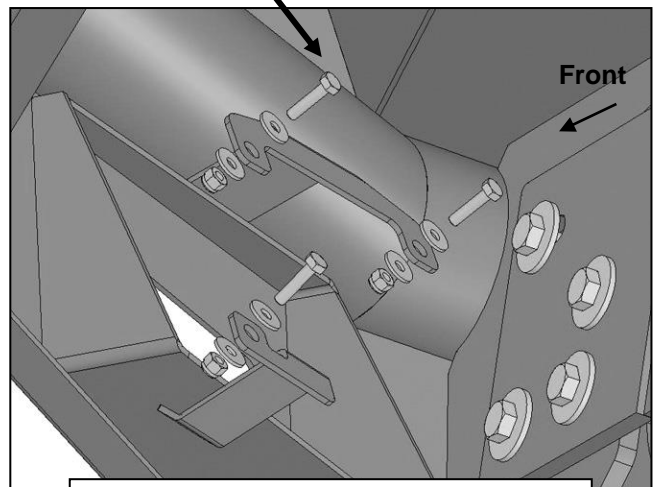


(Fig 17) Attach Driver/left fog light assembly

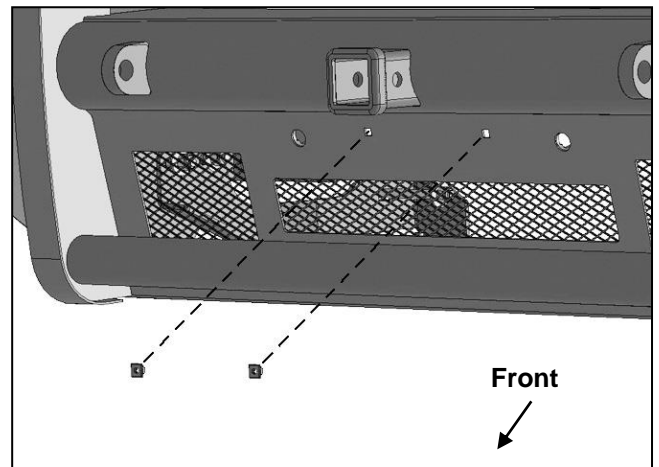


WARNING! Do not crawl under bumper unless the bumper is properly supported on blocks or stands or the bumper may fall.

- (3) 6mm x 25mm Hex Bolts
- (6) 6mm Flat Washers
- (3) 6mm Nylon Lock Nuts



(Fig 16) Attach Driver/left fog light assembly to mounting tabs on Bumper



(Fig 18) Attach License Plate Plugs to Bumper