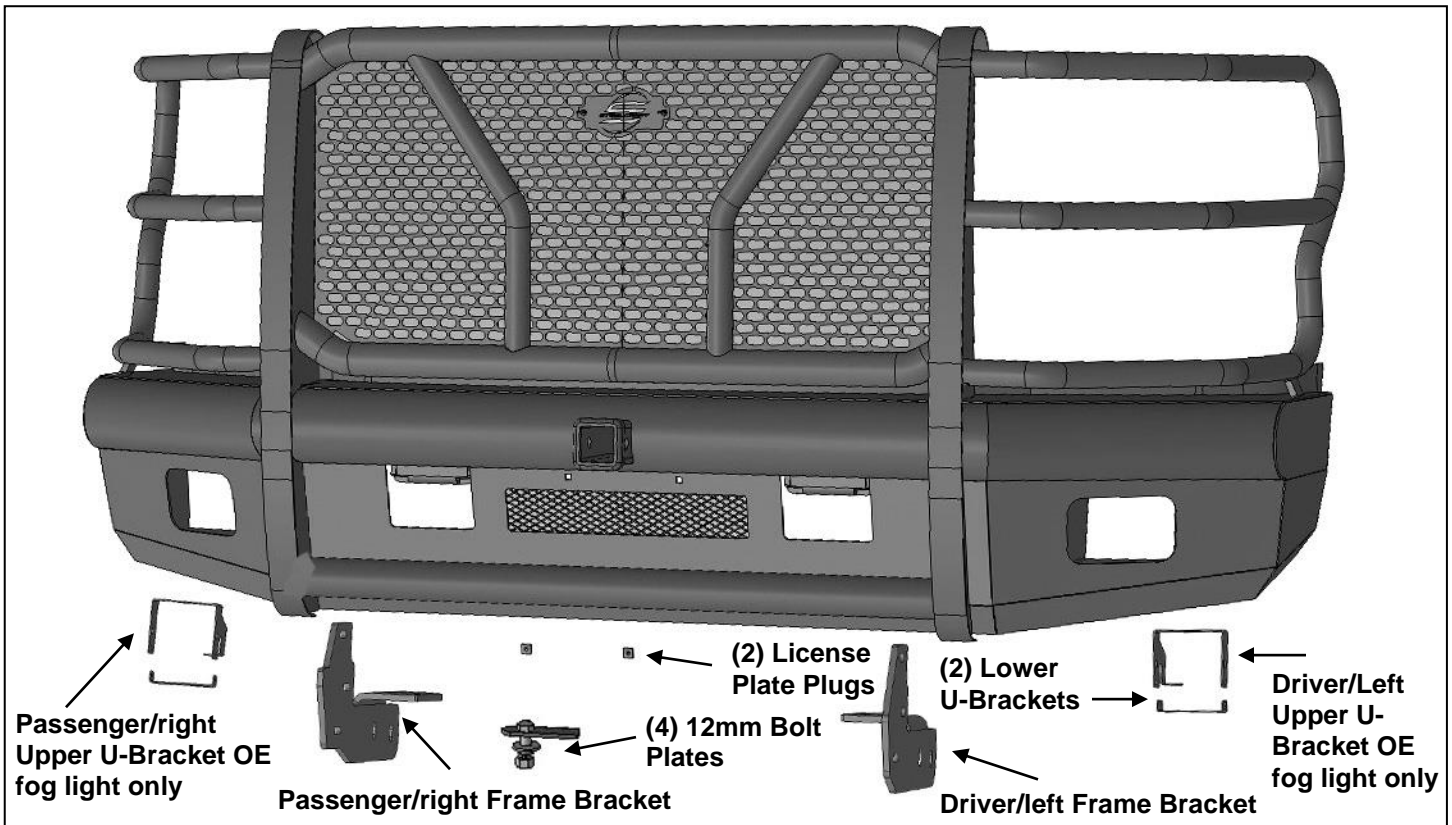


# INSTALLATION INSTRUCTIONS

HEAVY DUTY FRONT BUMPER  
2017 FORD SUPER DUTY F250-350

## PARTS LIST:

1	HD Front Bumper Assembly	18	12mm Lock Washers
1	Driver/left Frame Bracket	18	12-1.75mm Hex Nuts
1	Passenger/right Frame Bracket	2	8-1.25mm x 25mm Hex Bolts
2	Plastic Plugs for license plate mount	4	8mm x 24mm x 2mm Flat Washers
1	Driver/left Upper U-Bracket (OEM fog light)	2	8mm Nylon Lock Nuts
1	Passenger/right Upper U-Bracket (OEM fog light)	4	6mm x 16mm Hex Bolts
2	Lower U-Brackets (OEM fog light only)	4	6mm x 18mm x 1.6mm Flat Washers
4	12mm Bolt Plates	4	6mm Lock Washers
14	12-1.75mm x 50mm Hex Bolts		
32	12mm x 32mm x 3mm Flat Washers		



### PROCEDURE:

**REMOVE CONTENTS FROM BOX. VERIFY ALL PARTS ARE PRESENT. READ INSTRUCTIONS CAREFULLY BEFORE STARTING INSTALLATION. BUMPER IS HEAVY, ASSISTANCE IS HIGHLY RECOMMENDED TO AVOID POSSIBLE INJURY OR DAMAGE TO THE VEHICLE.**

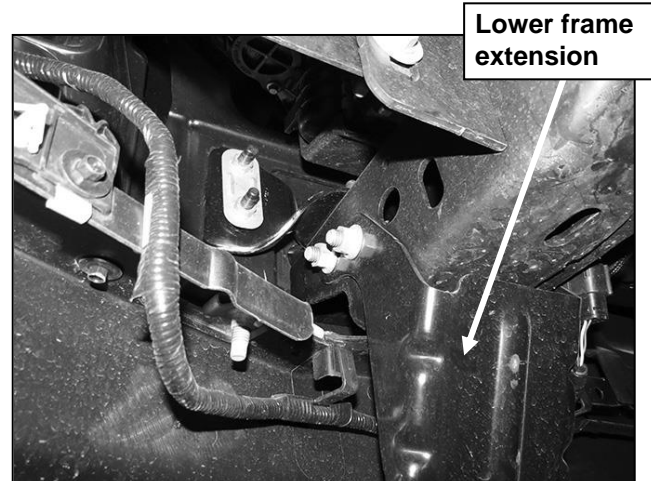
1. Remove the license plate and bracket. On models with factory fog lights, unplug both lights. Release the wiring harness from the clips attached to the back of the bumper, **(Figures 1 & 2)**. Move harness away from bumper.
2. Next, remove the plastic lower air dam from the bottom of the bumper, **(Figure 3)**. Remove the outer bumper supports attaching the outer ends of the bumper to the sides of the frame, **(Figure 4)**. Remove the plastic covers from the tow hooks to uncover the bumper bolts, **(Figure 5)**.
3. Place blocks or jack stands under the front bumper to support it during mounting bolt removal. Once the bumper has been safely supported, remove the (8) factory bumper bolts, **(Figure 6)**.  
**WARNING!** Assistance is required to hold the bumper in place during bolt removal to prevent the bumper from falling. Carefully slide the bumper off over the tow hooks.
4. Remove the passenger/right side tow hook from the end of the frame, **(Figure 7)**. Next, remove the (4) factory hex nuts, lower frame extension and double bolt plates from the end of the frame, **(Figures 2 &**

- 7). Reuse the factory hardware to attach the tow hook to the bracket on the back of the HD Bumper, **(Figure 8)**. Repeat this Step to remove the driver/left side tow hook and lower frame extension and to attach the driver/felt side tow hook to the HD Bumper.
5. Next, select the passenger/right Frame Bracket. Slide the Bracket over the end of the frame. Line up the slots in the side of the Bracket with the holes in the outer side of the frame. Select (2) 12mm Bolt Plates. Insert the Bolt Plates into the open end of the frame and out through the Bracket. Attach the Bracket to the Bolt Plates with (2) 12mm Flat Washers, (2) 12mm Lock Washers and (2) 12mm Hex Nuts, **(Figure 9)**. Leave loose at this time.
6. Attach the mounting tab on the top of the Bracket to the top of the frame with the included (4) 12mm x 50mm Hex Bolts, (8) 12mm Flat Washers, (4) 12mm Lock Washers and (4) 12mm Hex Nuts, **(Figure 10)**. Do not fully tighten hardware at this time.
7. Repeat **Steps 5 & 6** to attach the driver/left Frame Bracket to the end of the frame.
8. With assistance, carefully position the Bumper Assembly up to the Brackets. Temporarily support the weight of the Bumper. **WARNING:** To avoid possible injury or damage to the vehicle, do not proceed until the bumper is fully and safely supported.
9. Line up the (3) holes in the passenger/right side of the Bumper with the (3) holes in the Frame Bracket. Attach the Bumper to the Bracket with the included (3) 12mm x 50mm Hex Bolts, (6) 12mm Flat Washers, (3) 12mm Lock Washers and (3) 12mm Hex Nuts, **(Figure 11)**. Do not fully tighten hardware at this time. Repeat to attach the driver/left side of the Bumper to the Bracket.
10. Level and adjust the bumper and fully tighten all 12mm hardware to 65-70ft-lbs.
11. Use the included (2) push-in plastic nuts to attach the front license plate, (if required), to the (2) holes in the front bumper, **(Figure 12)**.
12. **Models with factory fog lights:**
  - a. Use a flat blade screwdriver to carefully pop out the tabs on the side of the fog light bracket attaching the light to the bracket, **(Figure 1)**. Pop the light out of the plastic bracket housing.
  - b. Remove the adjustment screw and spring from the light assembly.
  - c. Select the passenger/right top U Bracket, **(Figure 13)**. Attach the Bracket to the slot in the light opening with the included (1) 8mm x 25mm Hex Bolt, (2) 8mm Flat Washers and (1) 8mm Nylon Lock Nut, **(Figure 13)**.
  - d. Carefully spread the sides of the Bracket enough to slide the OE plastic fog light between and into the Bracket, **(Figure 14)**. Select (1) Lower U-Bracket. Attach the Lower Bracket to the Upper Bracket with (2) 6mm x 16mm Hex Bolts, (2) 6mm Lock Washers and (2) 6mm x 12mm Small Flat Washers, **(Figure 15)**.
  - e. Insert the factory spring between the tab on the Bracket and the light. Insert the screw through the tab, spring and into the fog light, **(Figure 15)**.
  - f. Repeat to install the driver/left fog light.
13. Re-attach the factory wiring harness. Adjust lights as necessary and tighten all fog light bracket hardware.
14. Do periodic inspections to the installation to make sure that all hardware is secure and tight.

**To protect your investment**, wax this product after installing. Regular waxing is recommended to add a protective layer over the finish. Do not use any type of polish or wax that may contain abrasives that could damage the finish. Mild soap may be used to clean the HD Front Bumper assembly.



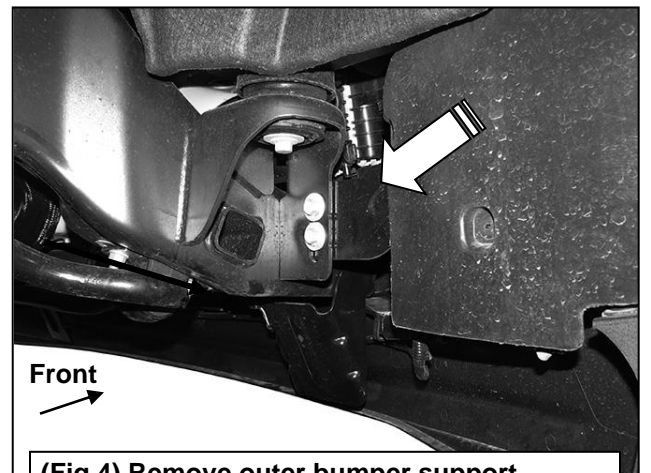
(Fig 1) On models with fog lights, unplug wire harness from back of light



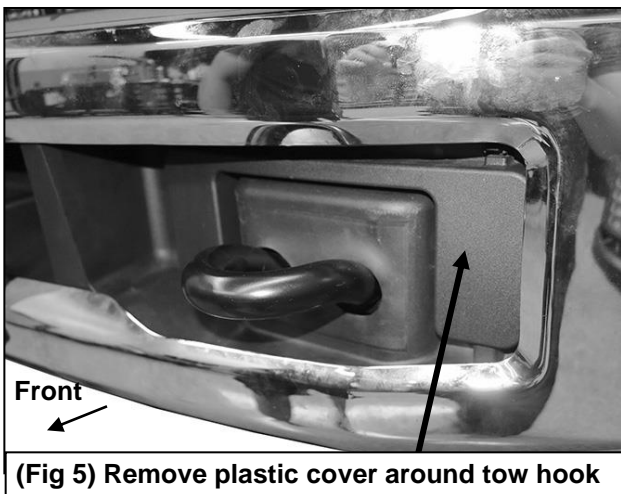
(Fig 2) Release clips attaching the wire harness for fog lights if equipped (driver side)



(Fig 3) Remove plastic air dam from bumper



(Fig 4) Remove outer bumper support brackets between frame and bumper (arrow)



(Fig 5) Remove plastic cover around tow hook

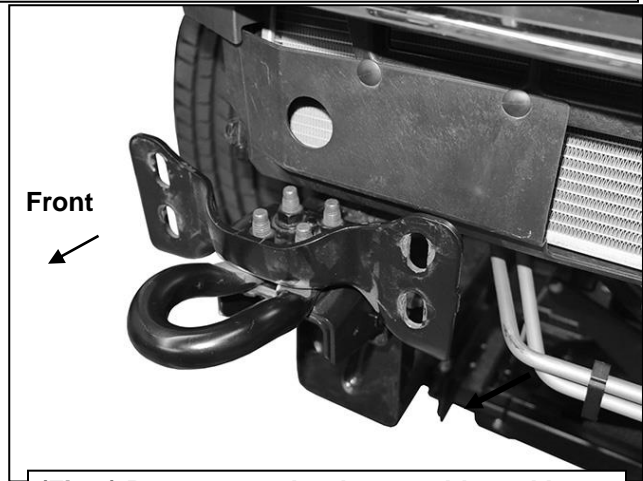
**WARNING!** Do not remove bumper bolts unless the bumper is properly supported on blocks or stands or the bumper may fall.

Passenger/right Side Installation Pictured

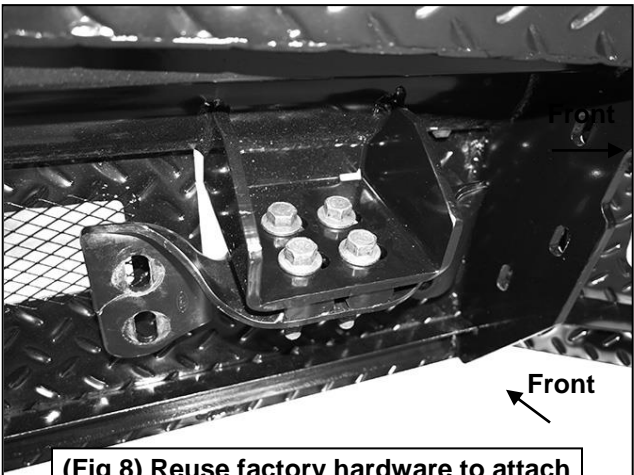


(Fig 6) Remove bumper bolts (driver side pictured)

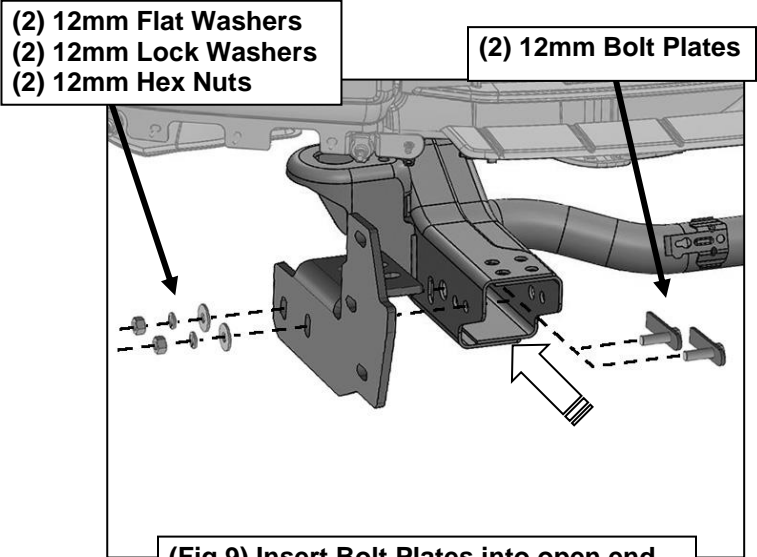
**WARNING!** Do not crawl under bumper unless the bumper is properly supported on blocks or stands or the bumper may fall.



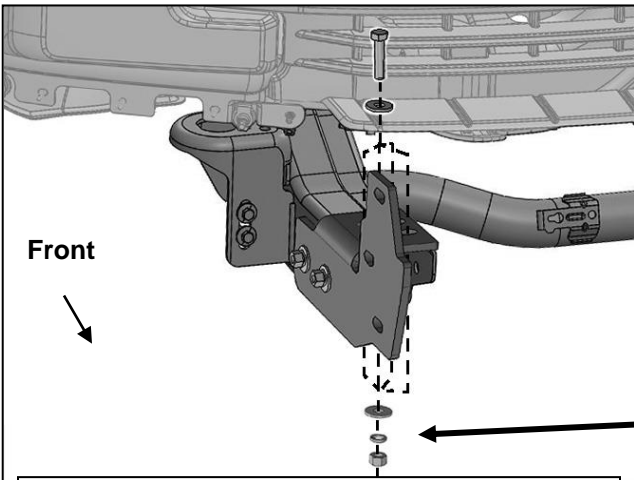
(Fig 7) Remove tow hook assembly and lower frame extension (not pictured-see Fig 2)



(Fig 8) Reuse factory hardware to attach tow hook to mount on back of bumper



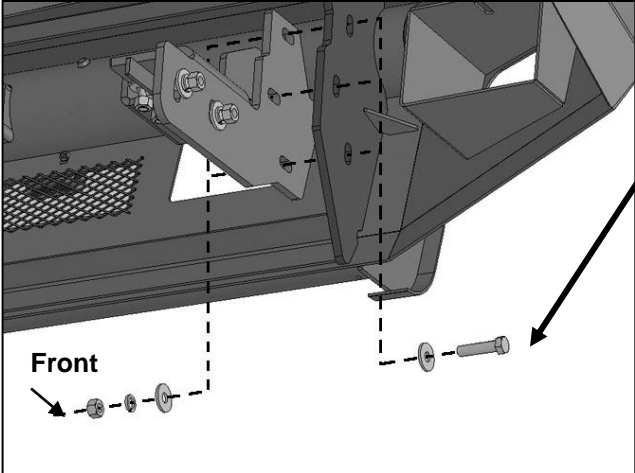
(Fig 9) Insert Bolt Plates into open end of frame. Attach Bracket to side of frame



(Fig 10) Attach tab on Bracket to top of frame

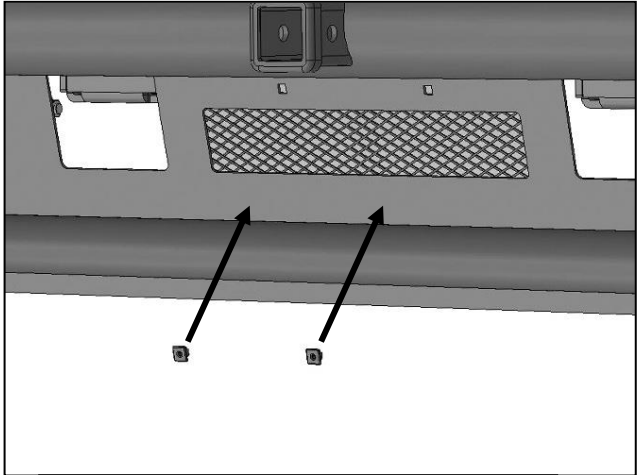
- (4) 12mm x 50mm Hex Bolts
- (8) 12mm Flat Washers
- (4) 12mm Lock Washers
- (4) 12mm Hex Nuts

Passenger/right Side Installation Pictured

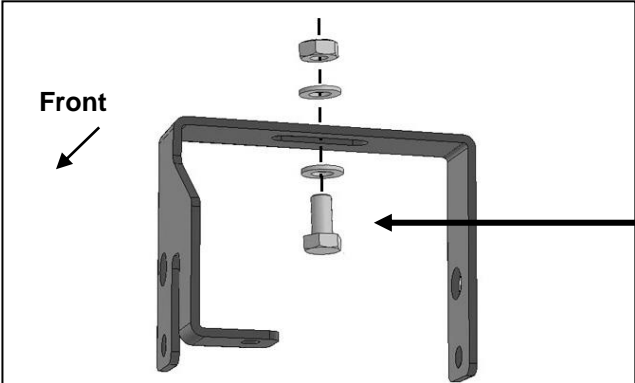


- (3) 12mm x 50mm Hex Bolts
- (6) 12mm Flat Washers
- (3) 12mm Lock Washers
- (3) 12mm Hex Nuts

(Fig 11) Attach Bumper to side of Bracket

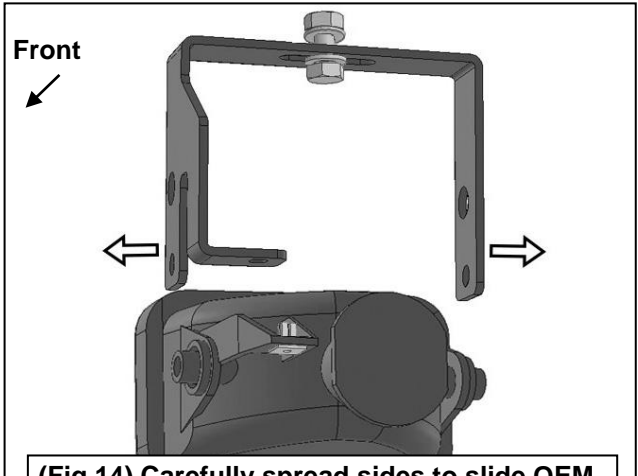


(Fig 12) Push plastic plugs into holes in Bumper for license plate if required

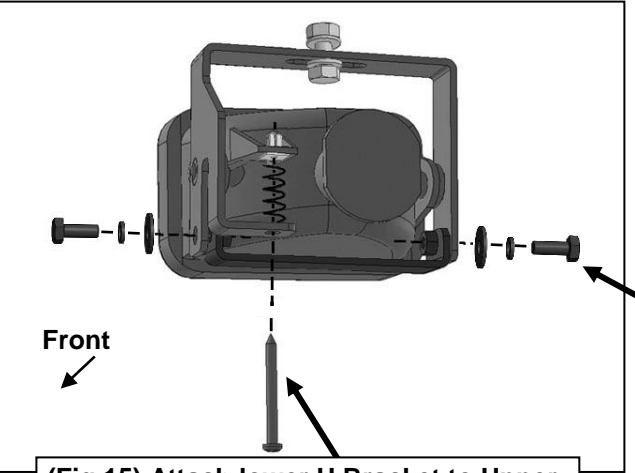


- 8mm x 25mm Hex Bolt
- (2) 8mm Flat Washers
- 8mm Nylon Lock Nut

(Fig 13) Optional OEM fog light installation (light not included). Attach passenger/right Upper Bracket to the slot in top of the opening



(Fig 14) Carefully spread sides to slide OEM fog light into position in pivot holes



- 6mm x 16mm Hex Bolt
- 6mm x 12mm Flat Washer
- 6mm Lock Washer

(Fig 15) Attach lower U Bracket to Upper Bracket. Reuse factory adjustment hardware (screw, spring and plastic nut)