



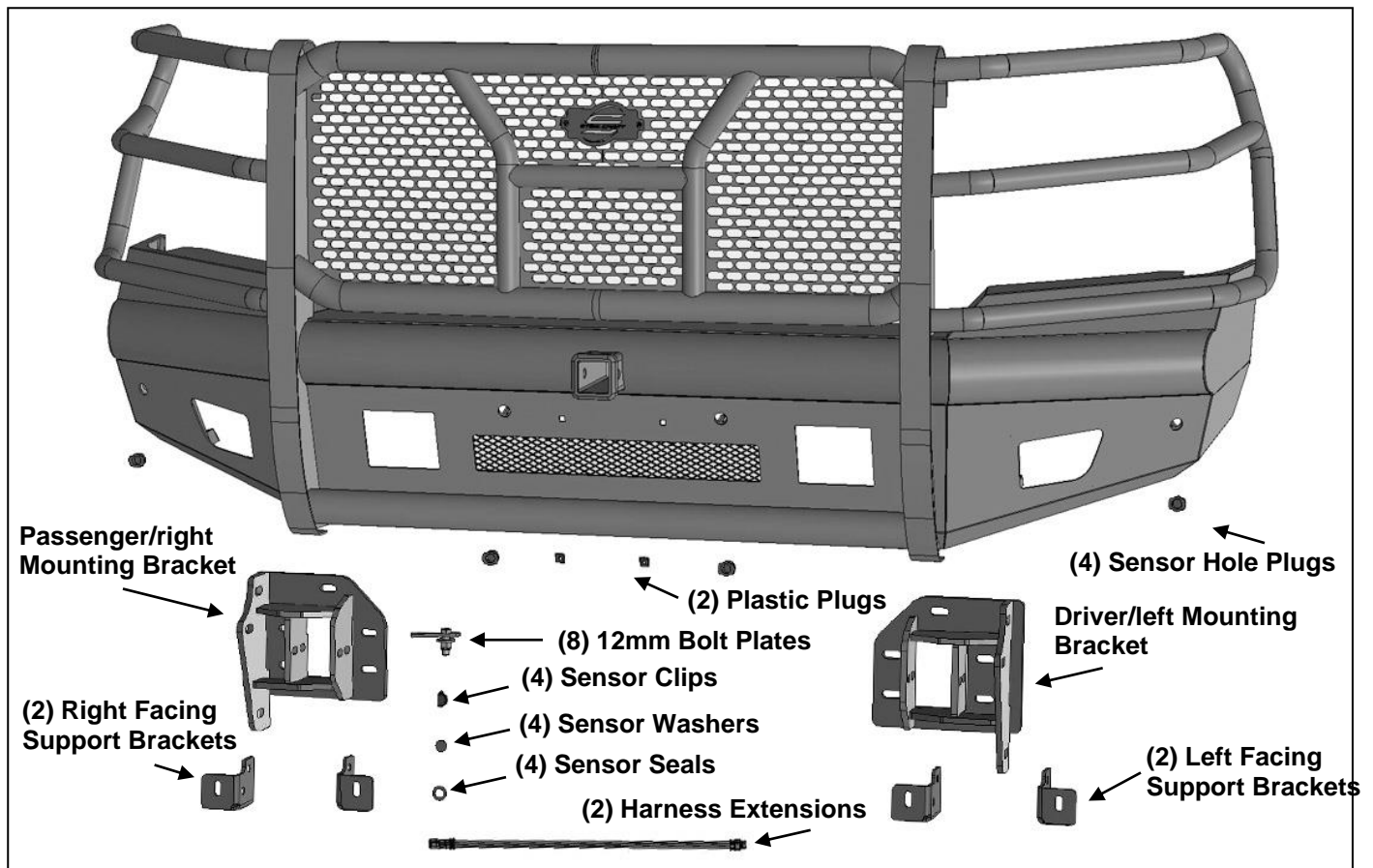
INSTALLATION INSTRUCTIONS

**HD REPLACEMENT FRONT BUMPER
2019 CHEVY SILVERADO 1500
EXCLUDES 2019 SILVERADO 1500 "LD" CLASSIC**

**HD REPLACEMENT FRONT BUMPER
2019 CHEVY SILVERADO 1500
EXCLUDES 2019 SILVERADO 1500 "LD" CLASSIC**

PARTS LIST:

1	HD Replacement Front Bumper Assembly	1	Sensor Cover Kit
1	Driver/left Mounting Bracket Assembly	8	12-1.75mm Bolt Plates
1	Passenger/right Mounting Bracket Assembly	2	12-1.75mm x 120mm Hex Bolts
2	Left Facing Support Brackets	10	12-1.75mm x 50mm Hex Bolts
2	Right Facing Support Brackets	32	12mm x 32mm x 3mm Flat Washers
2	Plastic Plugs for License Plate	20	12mm Nylon Lock Nuts
4	15.5mm x 25mm x 2mm Foam Seals	6	6mm x 20mm Hex Bolts
4	20mm x 2mm Foam Washers	12	6mm x 18mm x 1.6 Flat Washers
4	Sensor Retaining Clips	6	6mm Nylon Lock Nut
4	Rubber Sensor plugs	8	4mm x 10mm Button Head Screws
2	Sensor Wiring Harnesses	1	2.5mm Wrench



PROCEDURE:

REMOVE CONTENTS FROM BOX. VERIFY ALL PARTS ARE PRESENT. READ INSTRUCTIONS CAREFULLY BEFORE STARTING INSTALLATION. ASSISTANCE IS HIGHLY RECOMMENDED TO AVOID POSSIBLE INJURY OR DAMAGE TO THE VEHICLE.

1. Open the hood and remove the plastic cover from the top of the grille and radiator, **(Figure 1)**. Models with grille mounted camera, unplug camera if equipped. Next, remove the screws attaching the grille to the radiator core support. Once all hardware has been removed, firmly pull the grille straight out from the vehicle to release the grille from the clips, **(Figure 2)**. Place grille on a clean, soft surface.
2. Remove the license plate and bracket. On models with factory fog lights and/or bumper sensors, unplug the wiring harness leading to the bumper. **NOTE:** Wiring harness connector is located up and behind the passenger/right side of the bumper. Move harness away from bumper.

**HD REPLACEMENT FRONT BUMPER
2019 CHEVY SILVERADO 1500
EXCLUDES 2019 SILVERADO 1500 "LD" CLASSIC**

3. From behind the driver/left side of the bumper, remove the outer bumper support connected to the side of the frame and the outer end of the bumper, **(Figure 3)**.
 4. Locate and remove the hex bolts attaching the bottom of the bumper to the bumper bracket attached to the end of the frame.
 5. Repeat **Steps 3 & 4** to remove the passenger/right bumper support and lower bumper hardware.
 6. Move back to the top of the bumper. Pull back the end of the rubber cover between the bumper and the radiator to expose the bolts attaching the top of the bumper bracket to the frame, **(Figure 4)**.
 7. Place blocks or jack stands under the front bumper to support it during mounting bolt removal. Once the bumper has been safely supported, remove the bumper bolts attaching the bumper assembly to the top of the bumper bracket, **(Figure 4)**. **WARNING!** Assistance is required to hold the bumper in place during bolt removal to prevent the bumper from falling. Carefully slide the bumper assembly with brackets off of the ends of the frame.
 8. Remove both bumper brackets and tow hooks, (if equipped), from the end of the frame, **(Figure 5)**.
 9. Once bumper has been removed, reinstall the plastic grille, camera if equipped and cover removed in **Step 1**, **(Figure 6)**.
 10. Select (1) Left Facing and (1) Right Facing Support Bracket, **(Figure 7)**. Starting on the driver/left side, attach the Right Facing Support Bracket to the inner facing side of the frame with (2) 12mm Bolt Plates, (2) 12mm Flat Washers and (2) 12mm Nylon Lock Nuts, **(Figures 7 & 8)**. Next, attach (1) Left Facing Support Bracket to the outer facing side of the frame with (2) 12mm Bolt Plates, (2) 12mm Flat Washers and (2) 12mm Nylon Lock Nuts, **(Figures 7 & 8)**. Do not tighten hardware at this time.
 11. Select the driver/left Frame Mounting Bracket, **(Figure 9)**. Reuse the (3) factory bumper bolts to attach the top mounting holes on the Mounting Bracket to the threaded bumper mount, **(Figure 9)**. Attach the (2) lower holes in the Mounting Bracket to the (2) Support Brackets with (2) 12mm x 50mm Hex Bolts, (4) 12mm Flat Washers and (2) 12mm Nylon Lock Nuts, **(Figures 9—11)**. Snug but do not fully tighten hardware at this time.
 12. Repeat **Steps 10 & 11** to install the passenger/right Support Brackets and Frame Bracket.
 13. Carefully unwrap the Bumper assembly.
 14. Determine if the vehicle is equipped with front bumper sensors. **NOTE:** Sensors and/or bumper wiring harness must be installed in Bumper before installing Bumper Assembly.
- Models without bumper sensors:**
- a. Select the included (4) Rubber Plugs, **(Figure 10)**.
 - b. From behind bumper, push plugs into sensor mounting holes. Use the included 4mm Screws to lock the Plug in the sensor mount (optional).
- Models with bumper mounted sensors:**
- a. Remove the sensors and wiring harness from the factory bumper.
 - b. Remove the factory sealing washer from the sensor. Attach the provided Foam Sealing Washer to the front of the sensor, **(Figure 11)**.
 - c. Push the sensor in from the back of the Bumper until it is flush with the outer Bumper. Attach the adhesive side of (1) Foam Washer to (1) Retaining Clip. Push the Retaining Clip into the sensor sleeve to secure the sensor in place, **(Figure 12)**.
 - d. Repeat the previous steps for the remaining sensors.
 - e. Attach factory wiring harness to Bumper. **NOTE:** Use the (2) included Wire Harnesses to extend the factory harness to the sensors as needed.
15. With assistance, position the Bumper Assembly up to the frame. Temporarily support the weight of the Bumper. **WARNING:** To avoid possible injury or damage to the vehicle, do not proceed until the Bumper is fully and safely supported.
 16. Line up the (3) slots in the driver/left side mounting plate on the back of the Bumper with the (3) slots in the Mounting Bracket. Attach the Bumper to the Bracket with the included (3) 12mm Hex Bolts, (6) 12mm Flat Washers and (3) 12mm Nylon Lock Nuts, **(Figures 13 & 14)**. Repeat this **Step** to attach the passenger/right side of the Bumper to the Bracket.
 17. Level and adjust the Bumper and fully tighten all 12mm hardware to 65-70ft-lbs.
 18. Select (1) tow hook if equipped. Reuse the (1) short factory hex bolt to attach the rear mounting hole in the tow hook to the Frame Bracket, **(Figure 15)**. Use the included longer (1) 12mm x 120mm Hex Bolt,

**HD REPLACEMENT FRONT BUMPER
2019 CHEVY SILVERADO 1500
EXCLUDES 2019 SILVERADO 1500 "LD" CLASSIC**

(2) 12mm Flat Washers and (1) 12mm Nylon Lock Nut to attach the front of the tow hook to the Frame Bracket. Fully tighten tow hook hardware only at this time.

19. Models with fog lights:

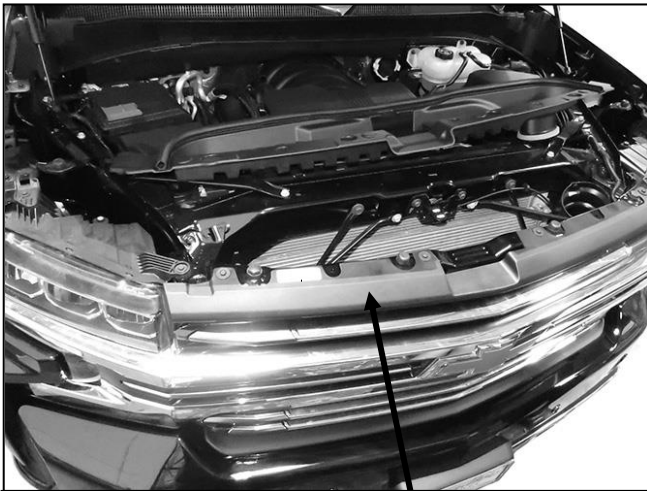
- a. Remove fog light assembly from factory bumper.
- b. Use the included (3) 6mm Hex Bolts, (6) 6mm Flat washers and (3) 6mm Nylon Lock Nuts to attach the driver/left fog light, **(Figure 16)**. Do not overtighten hardware or damage to the light may result.
- c. Repeat previous Steps to install the passenger/right fog light.
- d. Plug wiring harness into lights.

20. If front license plate is required, insert (2) Plastic Plugs into the square holes in the Bumper. Reuse the factory screws to attach the license plate to the plastic plugs, **(Figure 17)**.

21. Do periodic inspections to the installation to make sure that all hardware is secure and tight.

To protect your investment, Do not use any type of polish or wax that may contain abrasives that could damage the finish. Mild soap may be used to clean the Front Bumper assembly.

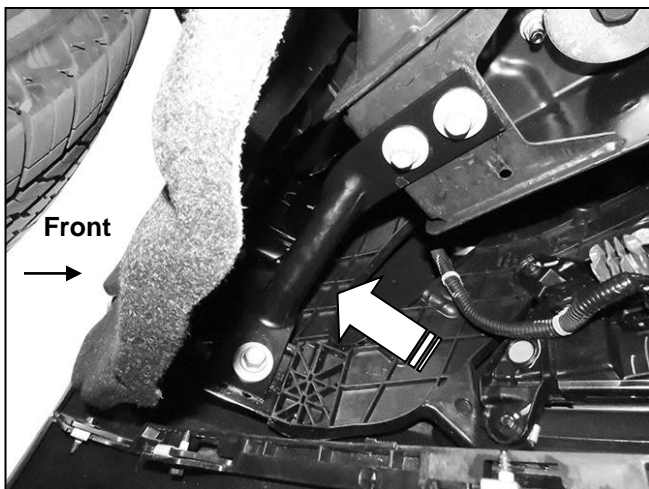
Driver/left Side Installation Pictured



(Fig 1) Remove cover and screws attaching grille



(Fig 2) Firmly pull grille straight out from vehicle



(Fig 3) Remove outer bumper supports (arrow)



(Fig 4) Pull back cover to locate top bumper bolts

**HD REPLACEMENT FRONT BUMPER
2019 CHEVY SILVERADO 1500
EXCLUDES 2019 SILVERADO 1500 "LD" CLASSIC**

Driver/left Side Installation Pictured

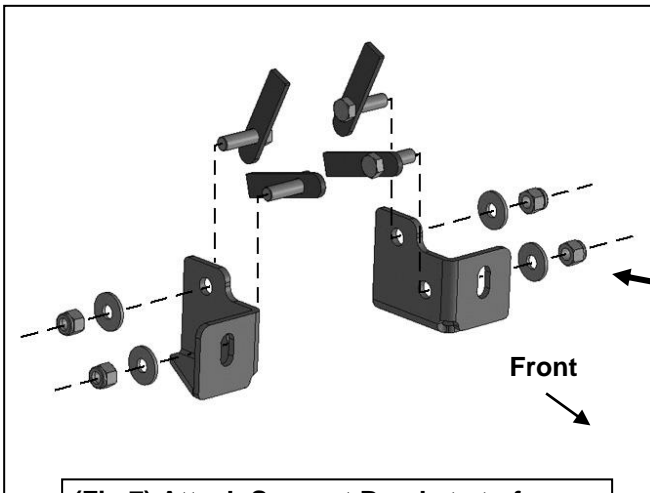


(Fig 5) Remove factory bumper brackets and tow hooks if equipped

WARNING! Do not crawl under bumper unless the bumper is properly supported on blocks or stands or the bumper may fall.

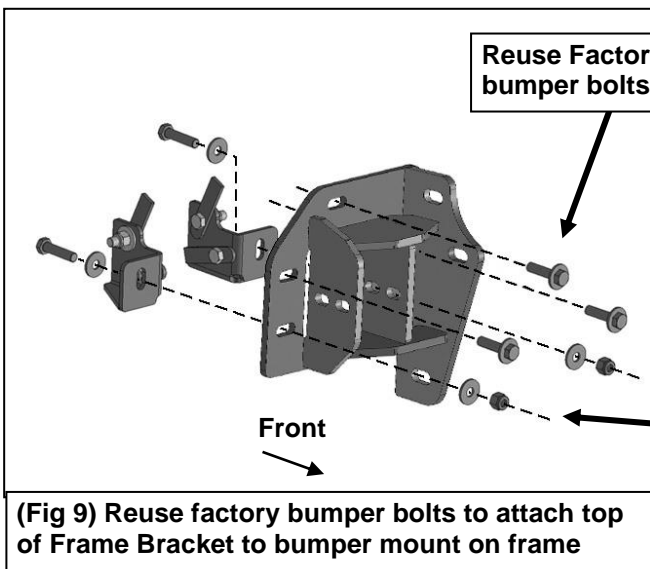


(Fig 6) Reinstall grille and cover



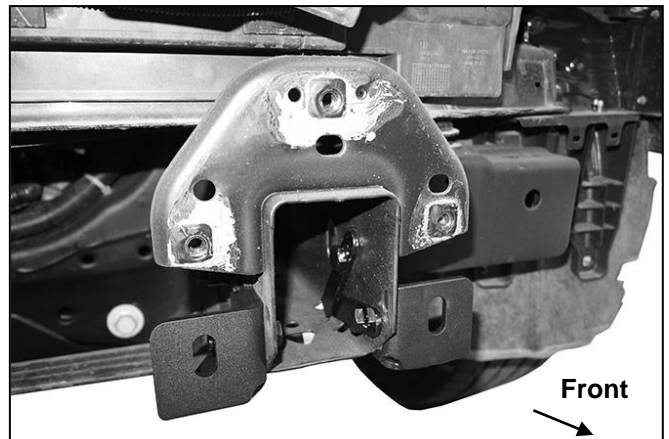
(Fig 7) Attach Support Brackets to frame

**12mm Bolt Plate
12mm Flat Washer
12mm Nylon Lock Nut**



(Fig 9) Reuse factory bumper bolts to attach top of Frame Bracket to bumper mount on frame

Reuse Factory bumper bolts

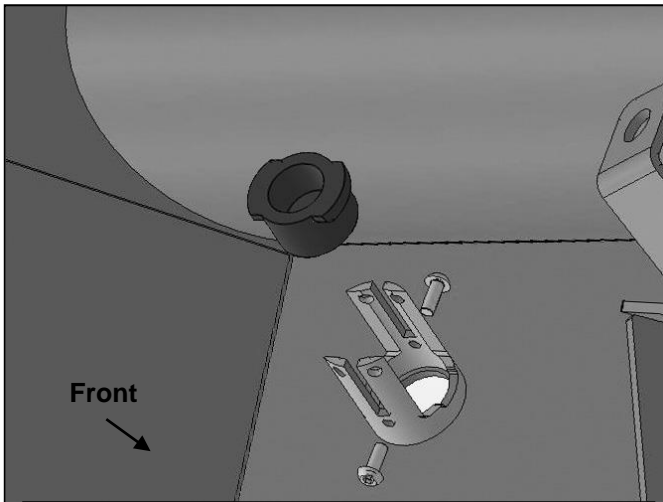


(Fig 8) Complete installation of Support Brackets

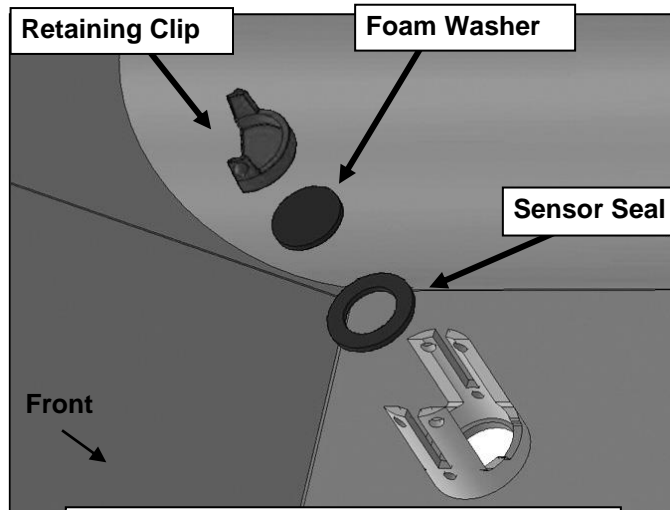
**(2) 12mm x 50mm Hex Bolts
(4) 12mm Flat Washers
(2) 12mm Nylon Lock Nuts**

HD REPLACEMENT FRONT BUMPER
2019 CHEVY SILVERADO 1500
EXCLUDES 2019 SILVERADO 1500 "LD" CLASSIC

Driver/left Side Installation Pictured

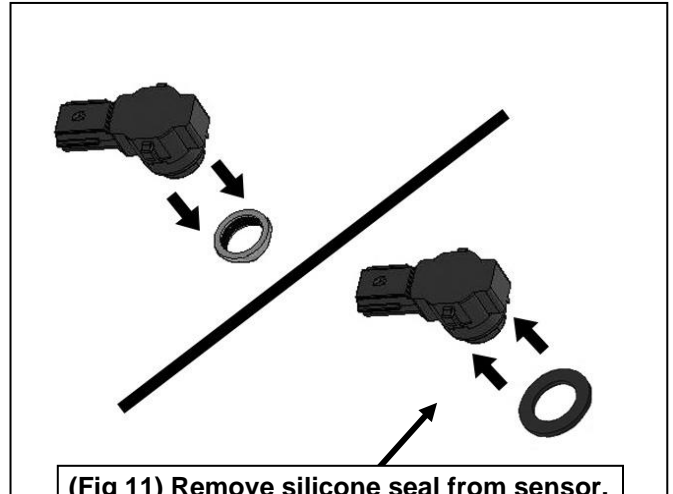


(Fig 10) Push sensor plug into mounting sleeve



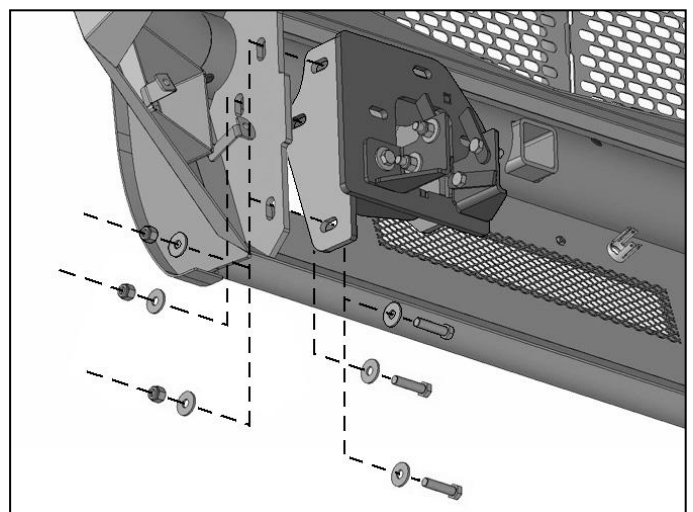
(Fig 12) Insert sensor assembly through the sensor sleeve on back of Bumper

WARNING! Do not crawl under bumper unless the bumper is properly supported on blocks or stands or the bumper may fall.



(Fig 11) Remove silicone seal from sensor. Slide large Seal over end of sensor (arrow)

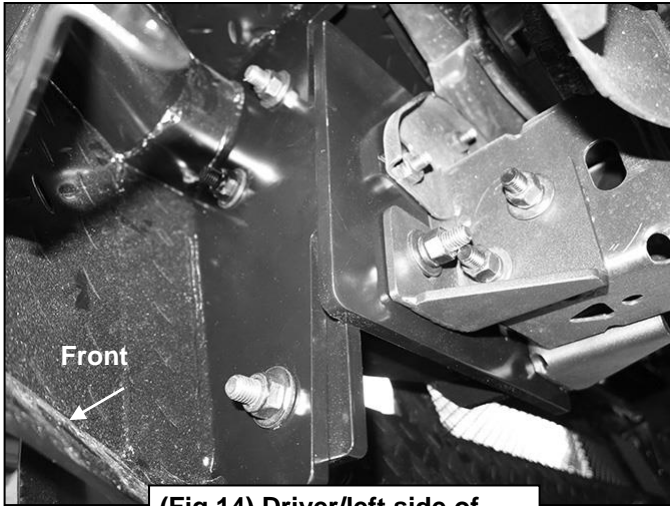
WARNING! Do not crawl under bumper unless the bumper is properly supported on blocks or stands or the bumper may fall.



(Fig 13) Attach the Bumper to Frame Bracket

**HD REPLACEMENT FRONT BUMPER
2019 CHEVY SILVERADO 1500
EXCLUDES 2019 SILVERADO 1500 "LD" CLASSIC**

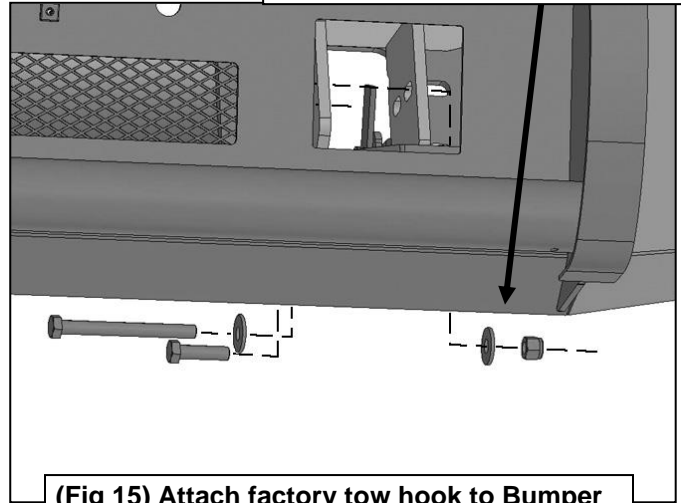
Driver/left Side Installation Pictured



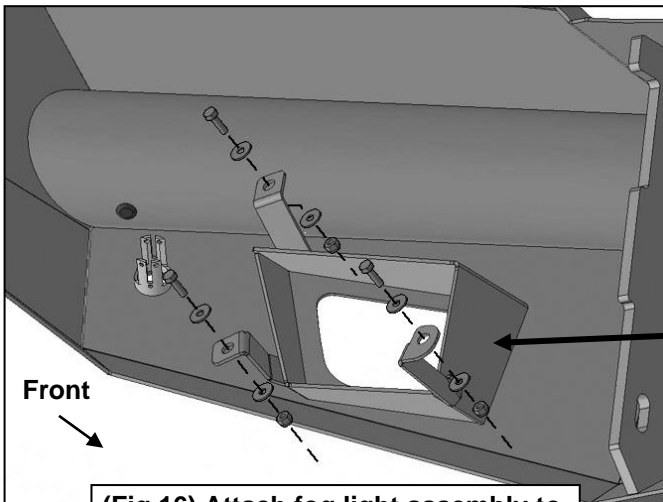
(Fig 14) Driver/left side of Bumper attached to Bracket

WARNING! Do not crawl under bumper unless the bumper is properly supported on blocks or stands or the bumper may fall.

- Reuse (1) factory hex bolt
- (1) 12mm x 120mm Hex Bolt
- (2) 12mm Flat Washers
- (1) 12mm Nylon Lock Nut

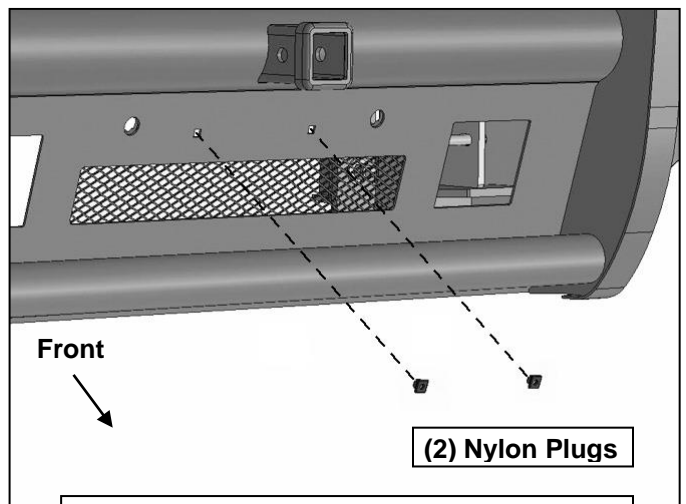


(Fig 15) Attach factory tow hook to Bumper



(Fig 16) Attach fog light assembly to mounting tabs on back of Bumper

- (3) 6mm Hex Bolts
- (6) 6mm Flat Washers
- (3) 6mm Nylon Lock Nuts



(2) Nylon Plugs

(Fig 17) Push Plugs into square holes, then attach license plate to Plugs in Bumper