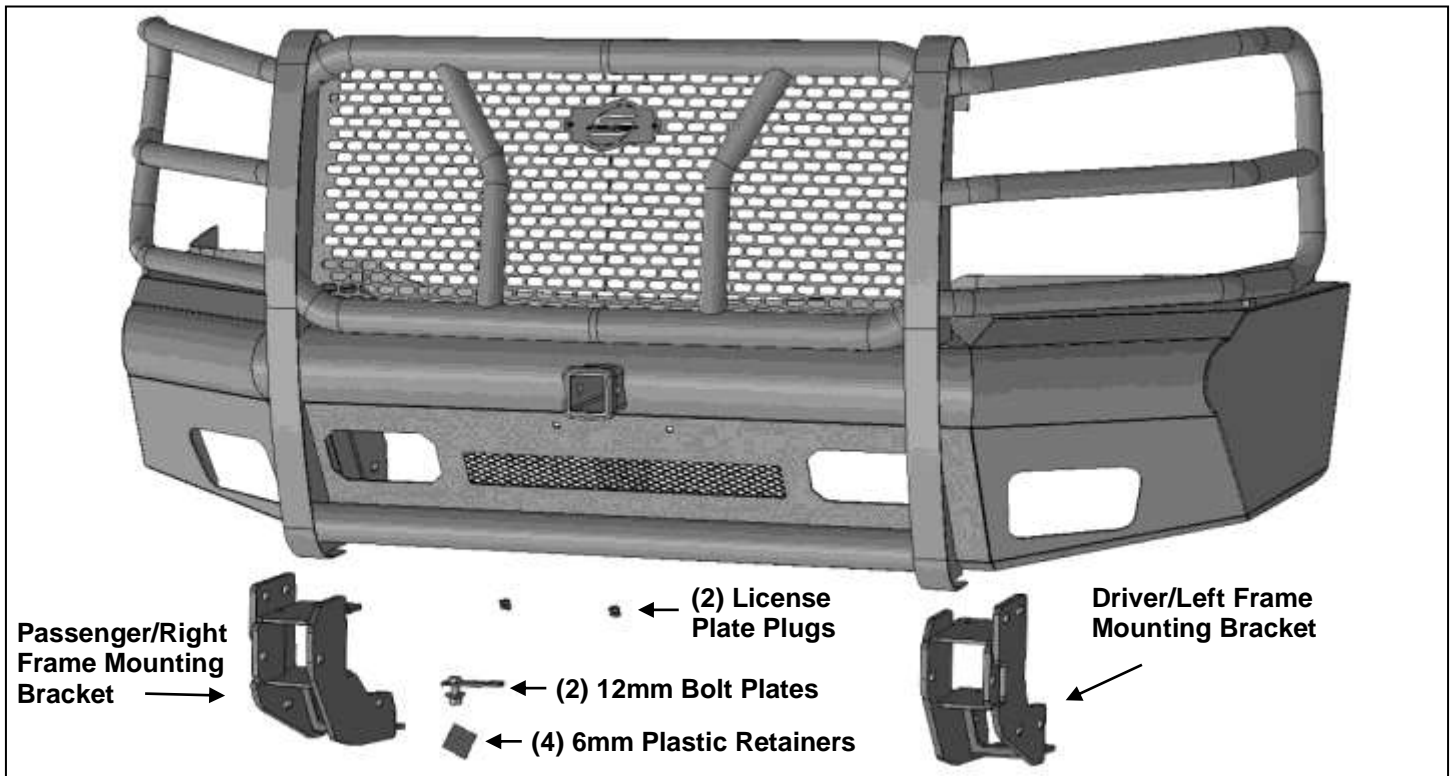




**HEAVY DUTY FRONT BUMPER
2003-06 CHEVY SILVERADO 25-3500**

PARTS LIST:

1	Heavy Duty Front Bumper Assembly	10	12mm Lock Washers
1	Driver Mounting Bracket	10	12mm Hex Nuts
1	Passenger Mounting Bracket	4	6mm x 30mm Hex Bolts
2	Plastic Plugs for License Plate	8	6mm x 18mm x 1.6mm Flat Washers
2	12mm x 35mm Bolt Plates	4	6mm Lock Washers
2	12-1.75mm x 140mm Hex Bolts	4	6mm Hex Nuts
6	12-1.75mm x 50mm Hex Bolts	4	6mm Plastic Retainers
18	12mm x 32mm OD x 3mm Flat Washers		



PROCEDURE:

REMOVE CONTENTS FROM BOX. VERIFY ALL PARTS ARE PRESENT. READ INSTRUCTIONS CAREFULLY BEFORE STARTING INSTALLATION. BUMPER IS HEAVY, ASSISTANCE IS HIGHLY RECOMMENDED TO AVOID POSSIBLE INJURY OR DAMAGE TO THE VEHICLE.

1. Remove the license plate and bracket.
2. Move to the driver/left side of the bumper. From below/behind the bumper, remove the hardware attaching the bumper support bracket to the outer end of the bumper, **(Figure 1)**. On models with factory fog lights, unplug the wiring harness leading to the light. Move harness away from bumper. Repeat this Step to release the passenger/right support bracket and unplug fog light.
3. Open the hood and remove the plastic cover from the top of the grille, **(Figure 2)**.
4. Place blocks or jack stands under the front bumper to support it during mounting bolt removal. Once the bumper has been safely supported, remove the factory bumper bolts from above, **(Figure 3)**. **WARNING!** Assistance is required to hold the bumper in place during bolt removal to prevent the bumper from falling. **NOTE:** Temporarily remove the grille if necessary, for increased access to the bumper mounting bolts.
5. Carefully slide the bumper off of the end of the end of the frame. Remove the outer bumper support brackets and tow hooks from the end of the frame, **(Figure 4)**.
6. Select (1) Bolt Plate. Insert the Bolt Plate into the end of the driver/left end of the frame and down through the hole in the bottom of the frame for the tow hook, **(Figure 5)**.

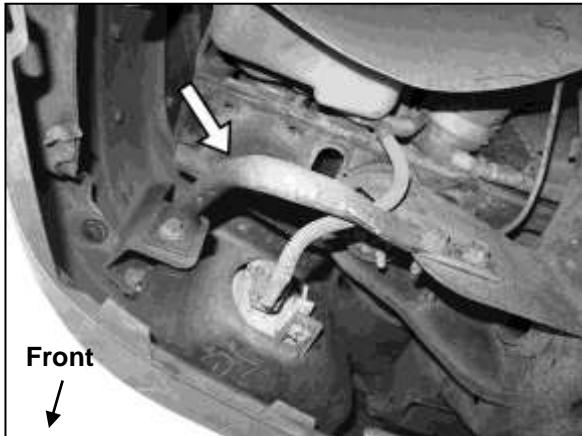
**HEAVY DUTY FRONT BUMPER
2003-06 CHEVY SILVERADO 25-3500**

7. Next, select the driver/left Frame Bracket, **(Figure 6)**. Slide the Bracket over the end of the frame and previously installed Bolt Plate. Attach the Bracket to the frame with the included (1) 12mm x 140mm Hex Bolt, (2) 12mm Flat Washers, (1) 12mm Lock Washer and (1) 12mm Hex Nut, **(Figures 6 & 7)**. Attach the bottom of the Bracket to the 12mm Bolt Plate with (1) 12mm Flat Washer, (1) 12mm Lock Washer and (1) 12mm Hex Nut. Leave hardware loose. Reuse the factory bumper bolt to attach the Bracket to the top of the frame, **(Figure 8)**. Do not fully tighten hardware at this time.
8. Select the **passenger/right tow hook** if equipped. Insert the tow hook into the opening in the **driver/left** Frame Bracket. **NOTE:** "hook" must be offset to inside to clear upright on Bumper. Reuse the factory hardware to attach the tow hook to the inside of the Bracket, **(Figure 9)**. **IMPORTANT:** The long hex bolt and flat washer must be inserted from the outside of the Bracket to the inside to clear the mounting plate on the Bumper.
9. Repeat **Steps 6—8** to install the passenger/right side Mounting Bracket and tow hook.
10. With assistance, position the Bumper Assembly up to the outside of the Brackets. Temporarily support the weight of the Bumper. **WARNING:** To avoid possible injury or damage to the vehicle, do not proceed until the Bumper is fully and safely supported.
11. Line up the (3) holes in the driver/left mounting plate on the inside of the Bumper with the (3) slots in the Frame Bracket. Attach the Bumper to the outside of the Bracket with the included (3) 12mm x 50mm Hex Bolts, (6) 12mm Flat Washers, (3) 12mm Lock Washers and (3) 12mm Hex Nuts, **(Figure 10)**. Do not fully tighten hardware at this time. Repeat this **Step** to attach the passenger/right side of the Bumper to the Bracket.
12. Level and adjust the bumper and fully tighten all 12mm hardware to 65-70ft-lbs.
13. **Models with fog lights:**
 - a. Remove the fog light assemblies and wiring harness from the factory bumper, **(Figure 11)**.
 - b. Insert (1) 6mm x 30mm Hex Bolt with (1) 6mm Flat Washer up through the hole in the bracket on the back of the Bumper. Thread (1) 6mm Plastic Retainer onto the Bolt to hold it up in place, **(Figure 12)**. Repeat to install the 2nd 6mm Hex Bolt and Washer.
 - c. Attach the driver/left fog light assembly to the (2) previously installed Hex Bolts in the back of the Bumper with the included (2) 6mm Flat Washers, (2) 6mm Lock Washers and (2) 6mm Hex Nuts, **(Figures 13 & 14)**.
 - d. Repeat previous Steps to install the passenger/right side fog light.
 - e. Reattach the factory wiring harness to both lights.
14. Use the included (2) push-in Plastic Plugs to attach the front license plate, (if required), to the (2) holes in the front Bumper, **(Figure 15)**.
15. Do periodic inspections to the installation to make sure that all hardware is secure and tight.

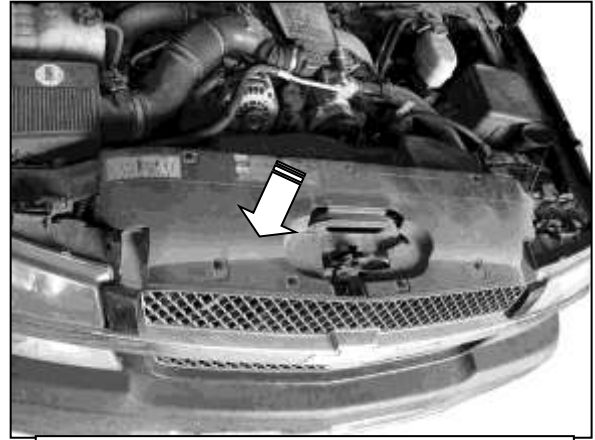
To protect your investment, Do not use any type of polish or wax that may contain abrasives that could damage the finish. Mild soap may be used to clean the Heavy Duty Front Bumper assembly.

**HEAVY DUTY FRONT BUMPER
2003-06 CHEVY SILVERADO 25-3500**

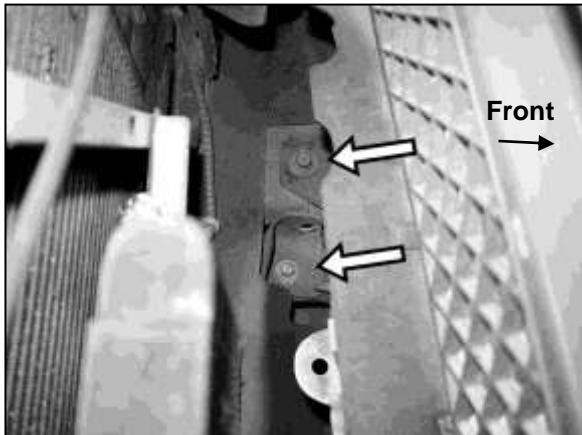
Driver/left Side Installation Pictured



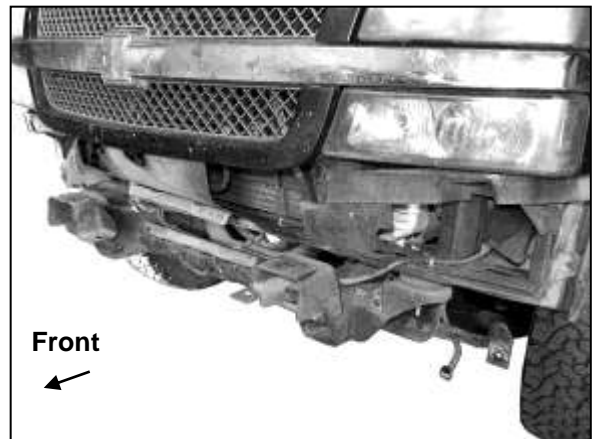
(Fig 1) Remove hardware attaching the support brackets to the bumper (arrow). Unplug fog lights. Pictured from below-under front bumper.



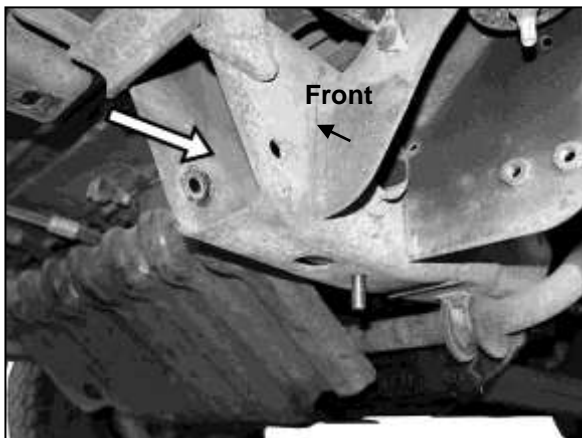
(Fig 2) Remove plastic cover (arrow). If necessary, temporarily remove the grille to access bumper bolts from above



(Fig 3) Remove bumper bolts from top of bumper brackets (arrows) to remove bumper



(Fig 4) Remove bumper assembly, support brackets and tow hooks if equipped. Reinstall plastic grille if removed.

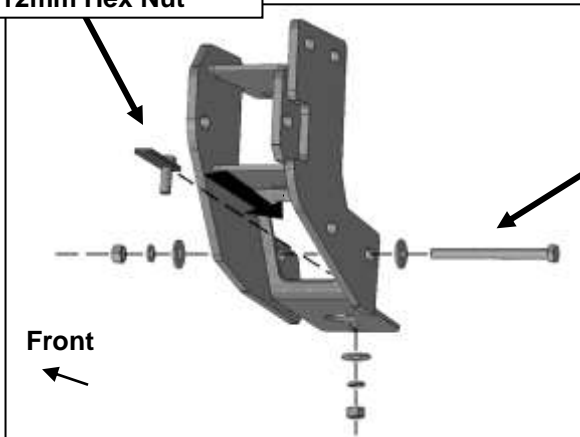


(Fig 5) Insert Bolt Plate into end of frame and down through mounting bolt hole for tow hook

**HEAVY DUTY FRONT BUMPER
2003-06 CHEVY SILVERADO 25-3500**

Driver/left Side Installation Pictured

- 12mm Bolt Plate
- 12mm Flat Washer
- 12mm Lock Washer
- 12mm Hex Nut



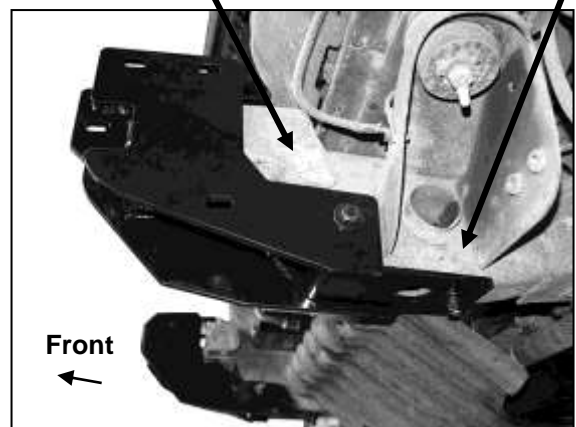
(Fig 6) Attach driver/left Frame Bracket assembly to end of frame (also see Fig. 6)

WARNING! Do not remove bumper bolts unless the bumper is properly supported on blocks or stands or it may fall.

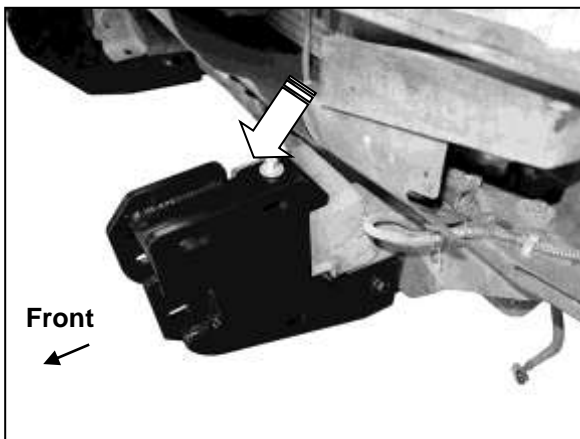
- (1) 12mm x 140mm Hex Bolt
- (2) 12mm Flat Washers
- (1) 12mm Lock Washer
- (1) 12mm Hex Nut

- 12mm x 140mm Hex Bolt
- (2) 12mm Flat Washers
- 12mm Lock Washer
- 12mm Hex Nut

- 12mm Bolt Plate
- 12mm Flat Washer
- 12mm Lock Washer
- 12mm Hex Nut

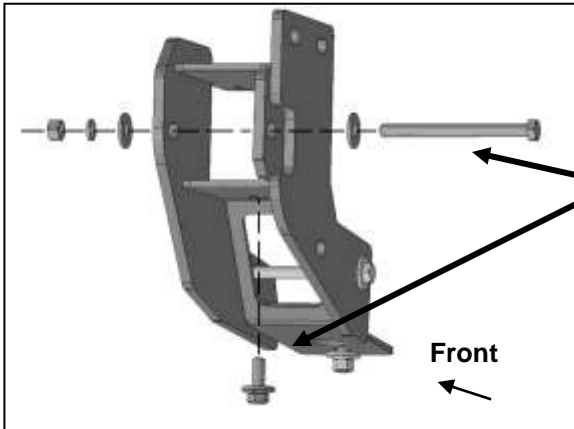


(Fig 7) Attach Bracket to end of frame. Attach bottom of Bracket to Bolt Plate.



(Fig 8) Reuse the factory bumper bolt to attach the Bracket to the top of the frame (arrow)

**HEAVY DUTY FRONT BUMPER
2003-06 CHEVY SILVERADO 25-3500**

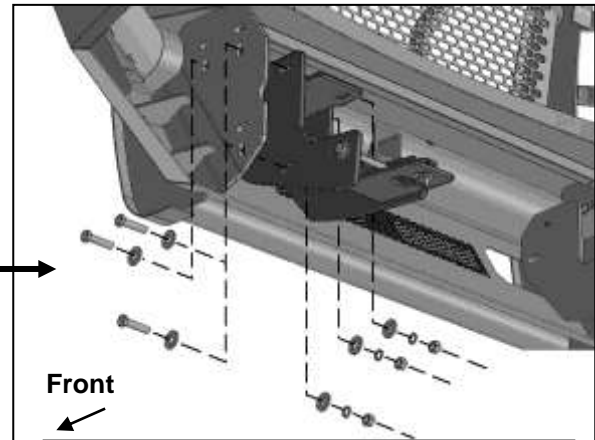


Reuse the factory tow hook bolts

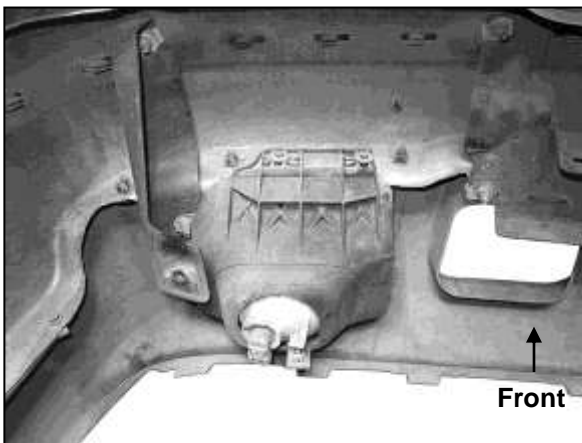
Front

(Fig 9) Reuse the factory hex bolts to attach the passenger/right side tow hook to the inside of the driver/left side Frame Bracket. **IMPORTANT:** Insert the long hex bolt with flat washer from outside to inside only. Tow hook must be installed before Bumper

- (3) 12mm x 50mm Hex Bolts
- (6) 12mm Flat Washers
- (3) 12mm Lock Washers
- (3) 12mm Hex Nuts



(Fig 10) Attach the driver/left side of the Bumper to the outside of the Bracket

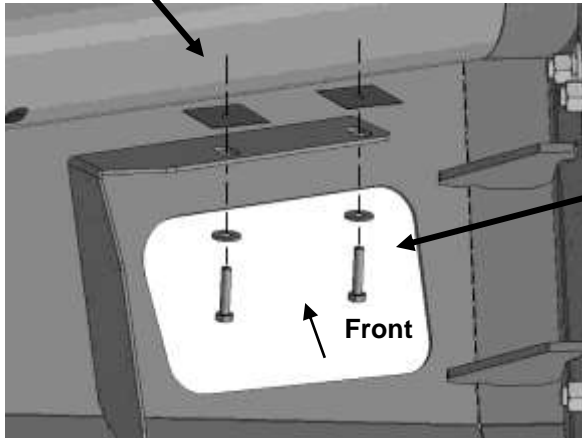


(Fig 11) Remove fog light assemblies from factory bumper (if equipped)

WARNING! Do not crawl under bumper unless it is properly supported on blocks or stands or the bumper may fall.

**HEAVY DUTY FRONT BUMPER
2003-06 CHEVY SILVERADO 25-3500**

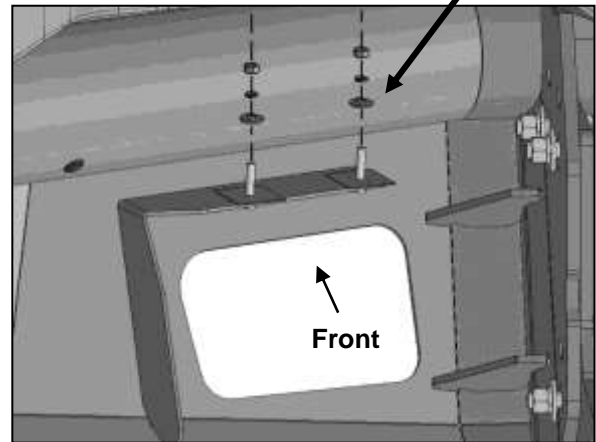
(2) 6mm Plastic Retainers



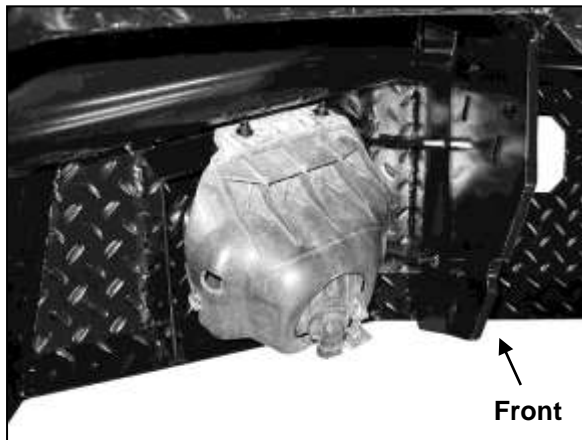
**(2) 6mm x 30mm Hex Bolts
(2) 6mm Flat Washers**

**(2) 6mm Flat Washers
(2) 6mm Lock Washers
(2) 6mm Hex Nuts**

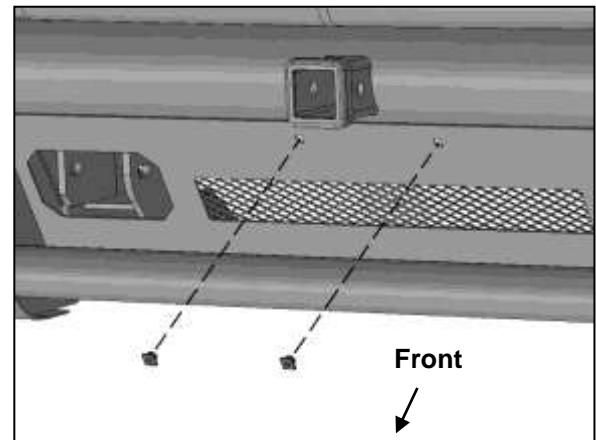
(Fig 12) Thread (2) 6mm Plastic Retainers hardware to help hold Bolts in place



(Fig 13) Attach the driver/left side fog light assembly to the (2) 6mm Hex Bolts



(Fig 14) Attach the driver/left side fog light assembly to the (2) 6mm Hex Bolts



(Fig 15) Push plastic plugs into holes in Bumper for license plate if required