

PARTS LIST:

1	Rear Bumper	16	12mm Flat Washers
1	Passenger Side Mounting Brackets	6	12mm Lock Nuts
1	Driver Side Mounting Brackets	4	12mm Lock Washers
10	12-1.75mm x 30mm Hex Head Bolts	2	Washer Plates

PROCEDURE:

- 1. REMOVE CONTENTS FROM BOX. VERIFY ALL PARTS ARE PRESENT. READ INSTRUCTIONS CAREFULLY.**
- Remove factory bumper by removing the side brackets and the two center brackets behind the factory bumper (Figure 2).
- Insert the Driver Side Mounting Bracket into vehicle's frame (Figure 3).
- Position Washer Plate on the outer side of the frame. Align holes on the Washer Plate with holes on the frame and the Mounting Bracket. Secure them together with the included (2) 12-1.75 x 30mm Hex Head Bolts, (2) 12mm Flat Washers, and (2) Lock Washers (Figure 4). Do not tighten at this time.
- Repeat Steps 3 & 4 for passenger side.
- With help carefully position Rear Bumper on the outer side of the Mounting Brackets. Attach Rear Bumper to driver and passenger side Mounting Brackets using the included (6) 12-1.75mm x 30mm Hex Head Bolts, (6) 12mm Nylock Nuts, and (12) 12mm Flat Washers (Figure 5). Do not tighten at this time. **NOTE:** Cover the factory hitch (if equipped) with a piece of cardboard or masking tape to protect the finish on the Rear Bumper when installing.
- Level and adjust the Rear Bumper, then tighten all hardware at this time now. **NOTE:** If vehicle equipped with factory hitch, make sure to leave a gap about ¼" in between the Rear Bumper and the factory hitch.

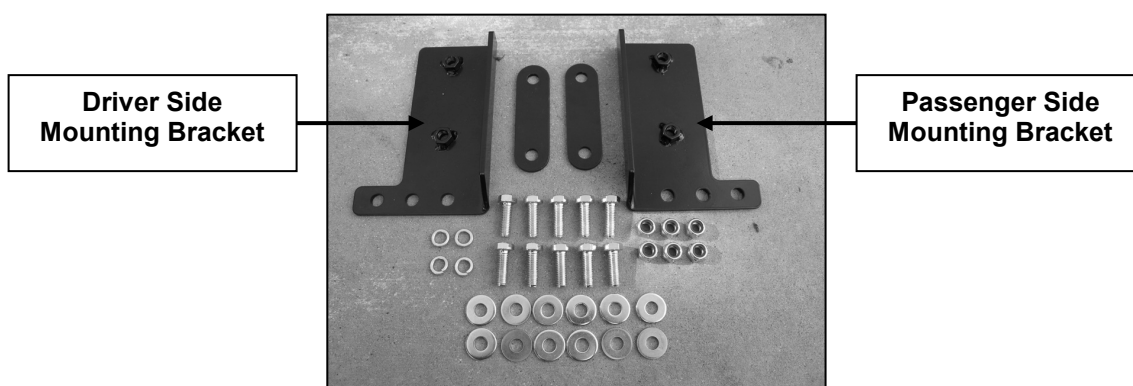


Figure 1

