



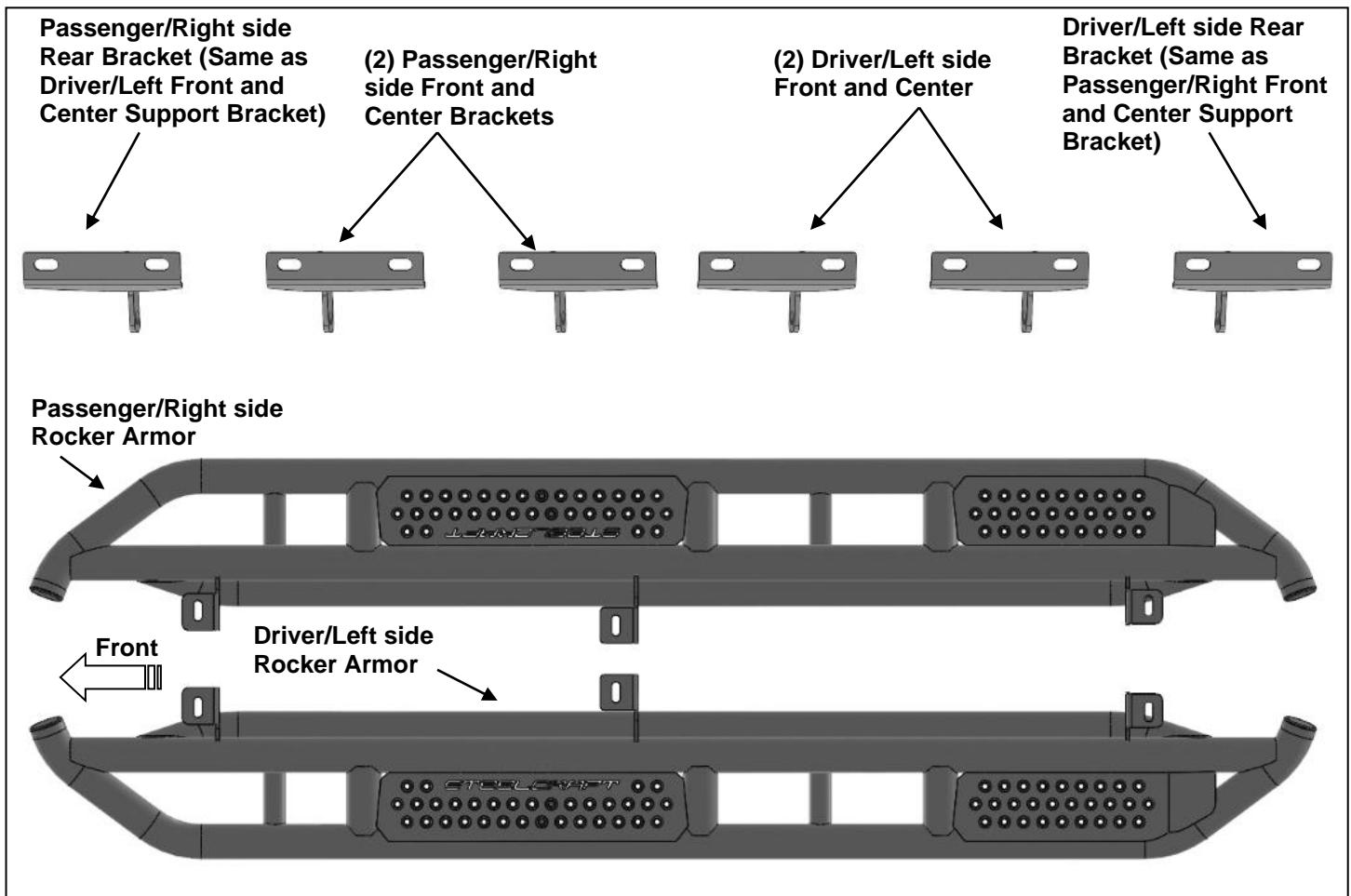
INSTALLATION INSTRUCTIONS

**STEELCRAFT ROCKER ARMOR
2007—2018 JEEP WRANGLER JK 4 DOOR**

**STEELCRAFT ROCKER ARMOR
2007—2018 JEEP WRANGLER JK 4 DOOR**

PARTS LIST:

1	Driver/Left Rocker Armor	6	8-1.25mm x 35mm Hex Bolts
1	Passenger/Right NB1 Rocker Armor	6	8mm Lock Washers
3	Driver/Left Support Brackets	6	8mm x 28mm x 3mm Flat Washers
3	Passenger/Right Support Brackets	6	8-1.25mm x 25mm Hex Bolts
6	10-1.5mm Nut Plates	12	8mm x 22mm x 2mm Flat Washers
6	10-1.5mm x 35mm Hex Bolts	6	8mm Nylon Lock Nuts
6	10mm Lock Washers	6	6-1.0mm x 25mm Hex Bolts
6	10mm x 34mm x 3mm Flat Washers	12	6mm x 22mm x 2mm Flat Washers
6	10-1.5mm x 30mm Hex Bolts	6	6-1.0mm Nylon Lock Nuts
12	10mm x 30mm x 2.5mm Flat Washers		



PROCEDURE:

- REMOVE CONTENTS FROM BOX. VERIFY ALL PARTS ARE PRESENT. READ INSTRUCTIONS CAREFULLY. FACTORY INSTALLED OR AFTERMARKET "ROCK RAILS," SIDE STEPS OR RUNNING BOARDS MUST BE REMOVED.**
- Start installation toward the front of the Passenger/Right side of the vehicle. Determine if the vehicle has an open floor panel or a threaded hole in the floor panel, (**Figures 1 & 4**).

Vehicles with open mounting location:

- Insert (1) 10mm Nut Plate into the large square opening in the floor panel. Line up the threaded nut with the hole in between the pair of holes on the pinch weld, (**Figures 1A, 1B & 2**).
- Repeat **Step 2a** to insert (1) 10mm Nut Plate into the center and rear opening on the floor panel, (**Figure 3**).

**STEELCRAFT ROCKER ARMOR
2007—2018 JEEP WRANGLER JK 4 DOOR**

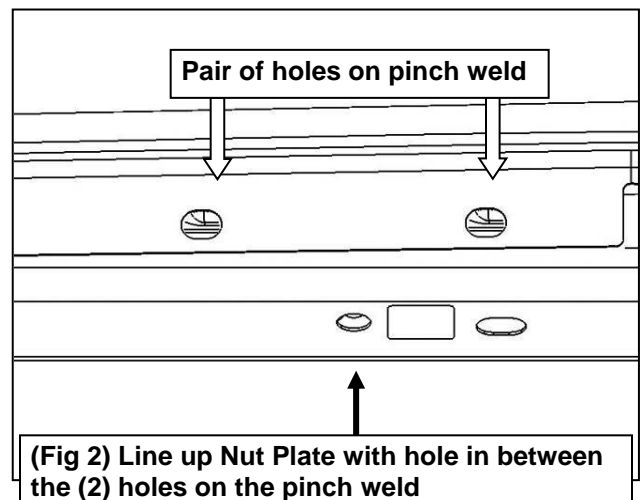
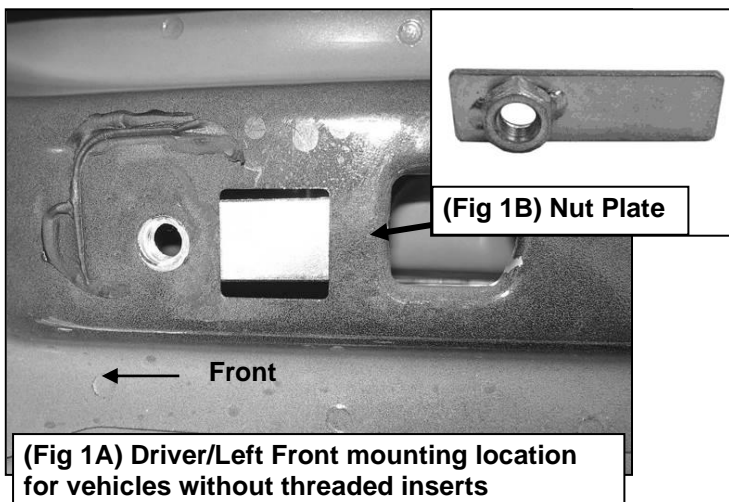
- c. Bolt the tab on the Mounting Brackets to the Nut Plates with (3) 10mm x 35mm Hex Bolts, (3) 10mm Lock Washers and (3) 10mm x 34mm Large Flat Washers, **(Figure 6)**. Do not tighten hardware at this time.

Vehicles with factory threaded hole in floor panel:

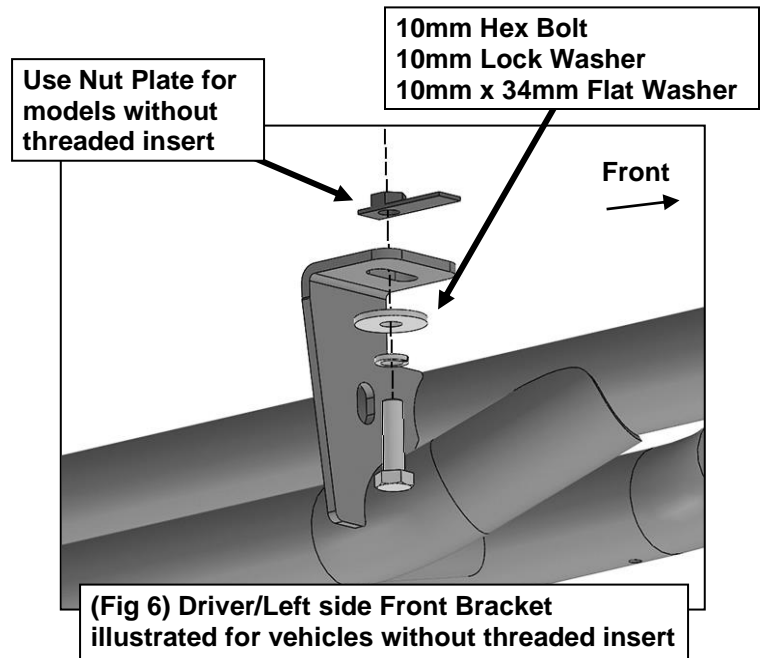
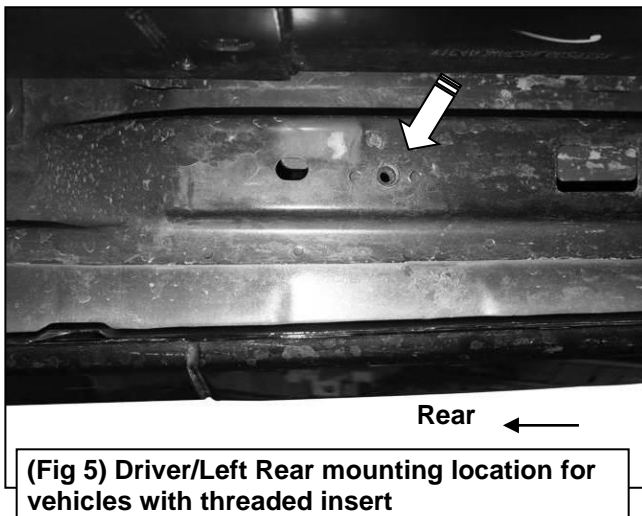
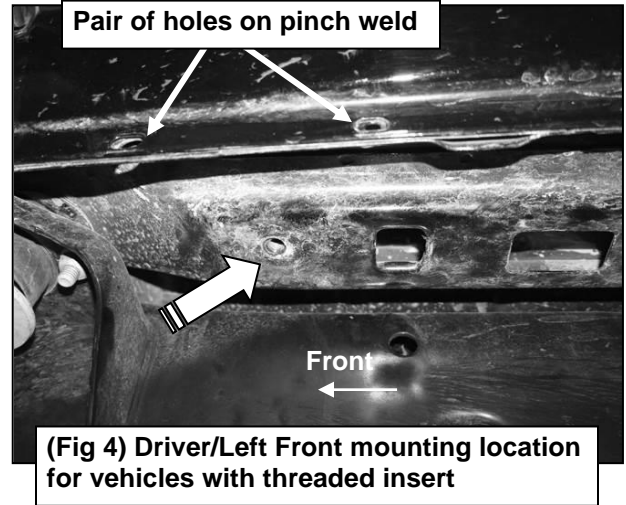
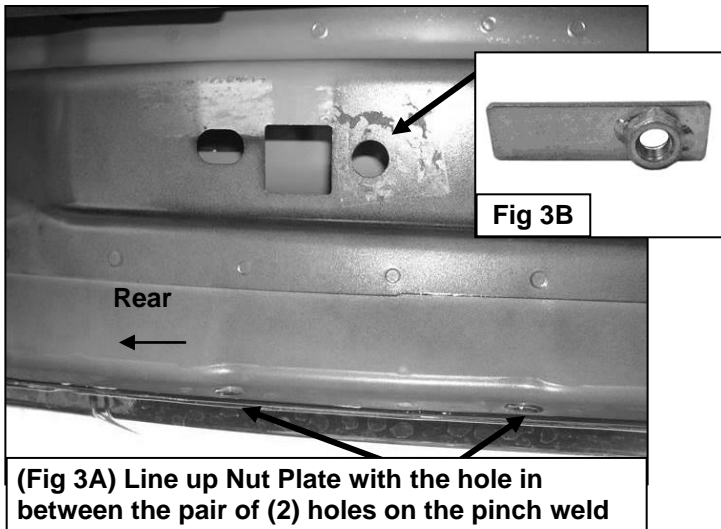
- a. Locate the front, center and rear mounting locations, **(Figures 4 & 5)**.
- b. Bolt the tab on the Mounting Brackets to the threaded holes in the floor panel with (3) 8mm x 35mm Hex Bolts, (3) 8mm Lock Washers and (3) 8mm x 28mm Large Flat Washers, **(Figure 7)**. Do not tighten hardware at this time.
3. Move to the Front mounting location Select the (1) Driver/Left Front Support Bracket. Attach the bracket to the back of the pinch weld with (2) 6mm Hex Bolts, (4) 6mm Flat Washers and (2) 6mm Nylon Lock Nuts, **(Figure 8)**. **NOTE:** Insert bolts from the outside of the pinch weld and through the mounting plate.
4. Attach the Driver/Left Support Bracket to the front side of the front mounting plate with (1) 10mm Hex Bolt, (2) 10mm x 27mm Flat Washers and (1) 10mm Nylon Lock Nut, **(Figure 8)**. Do not tighten hardware at this time.
5. Select (1) Driver/Left Center Support Bracket. Attach the bracket to the back of the pinch weld with (1) 6mm Hex Bolt, (2) 6mm Flat Washers, (1) 6mm Nylon Lock Nut, (1) 8mm x 25mm Hex Bolt, (2) 8mm Flat Washers and (1) 8mm Nylon Lock Nut, **(Figure 9)**. **Repeat step 4.**
6. Select (1) Driver/Left Rear Support Bracket (same as the Passenger/Right Front and Center Support Brackets). Attach the bracket to the back of the pinch weld with (2) 8mm x 25mm Hex Bolts, (4) 8mm Flat Washers Washers and (2) 8mm Nylon Lock Washers, **(Figure 10)**. **Repeat step 4** to attach the bracket to the back of the rear mounting plate.
7. Level and adjust the Rocker Armor and tighten all hardware.
8. Repeat **Steps 2—7** for Passenger/Right side Rocker Armor installation.
9. Do periodic inspections to the installation to make sure that all hardware is secure and tight.

To protect your investment, Do not use any type of polish or wax that may contain abrasives that could damage the finish. Mild soap may be used to clean the Rocker Armor.

Driver/Left Side Installation Pictured



Driver/Left Side Installation Pictured



Driver/Left Side Installation Pictured

