

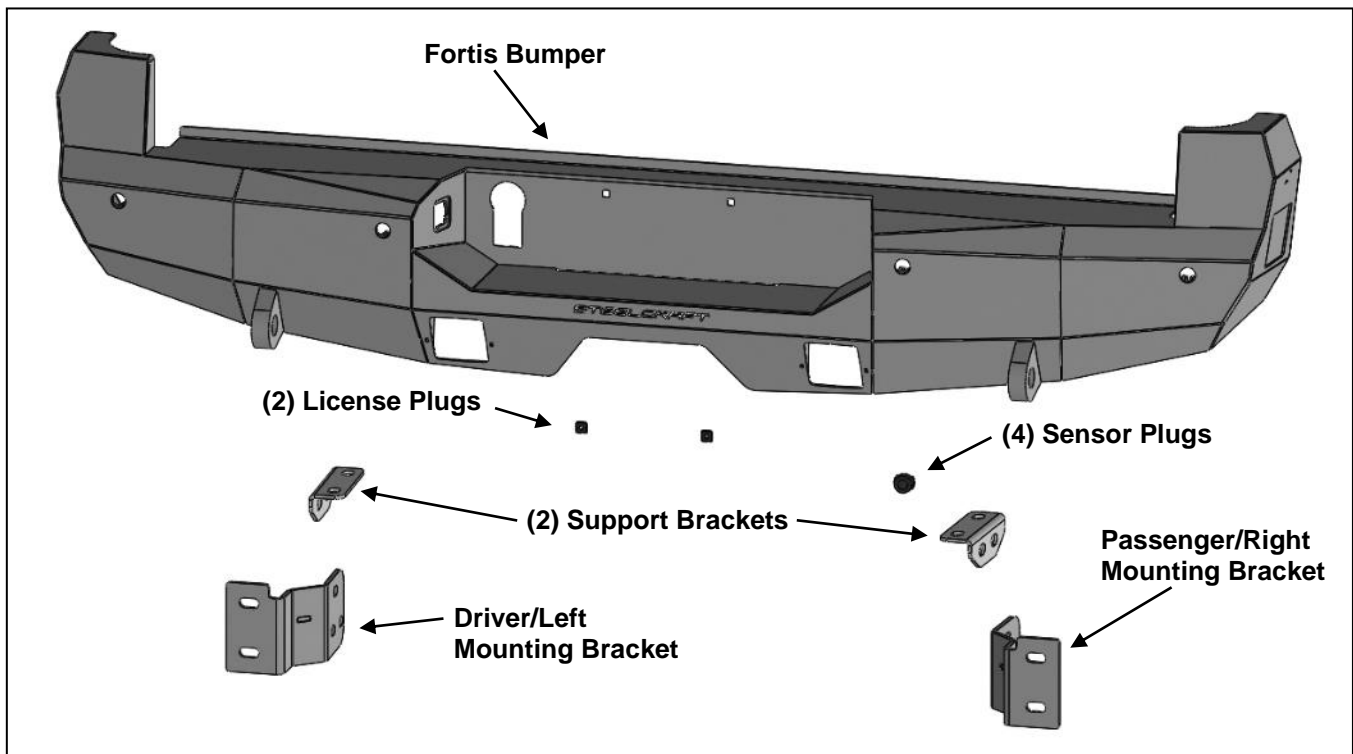
INSTALLATION INSTRUCTIONS

**FORTIS REAR BUMPER
2016-2019 TOYOTA TACOMA**

**FORTIS REAR BUMPER
2016-2019 TOYOTA TACOMA**

PARTS LIST:

1	Fortis Rear Bumper	8	12-1.75mm Nylon Lock Nuts
1	Driver/Left Mounting Bracket	2	8mm x 25mm Button Head Bolts
1	Passenger/Right Mounting Bracket	2	8mm x 25mm Hex Bolts
2	Support Brackets	8	8mm x 16mm OD x 1.6mm Flat Washers
1	Driver/Left Cover Plate	4	8mm Lock Washers
1	Passenger/Right Cover Plate	4	8mm Hex Nuts
1	Driver/Left BSM Bracket	2	8mm Clip Nuts
1	Passenger/Right BSM Bracket	6	6mm x 30mm Hex Bolts
2	License Plugs	12	6mm x 12mm OD x 1.6mm Flat Washers
4	Sensor Plugs	6	6mm Lock Washers
1	Sensor Cover Kit	6	6mm Hex Nuts
4	12-1.25mm x 45mm Fine Thread Hex Bolts	8	4mm x 10mm Button Head Bolts
8	12-1.75mm x 40mm Coarse Thread Hex Bolts	1	5mm Hex Wrench
20	12mm x 32mm OD x 3mm Flat Washers	1	2.5mm Hex Wrench
4	12mm Lock Washers		



PROCEDURE:

REMOVE CONTENTS FROM BOX. VERIFY ALL PARTS ARE PRESENT. READ INSTRUCTIONS CAREFULLY BEFORE STARTING INSTALLATION. BUMPER IS DESIGNED TO INSTALL WITH FACTORY RECEIVER HITCH, AFTERMARKET RECEIVER HITCH MAY INTERFERE WITH INSTALLATION. BUMPER IS HEAVY, ASSISTANCE IS RECOMMENDED TO AVOID POSSIBLE INJURY OR DAMAGE TO THE VEHICLE.

1. Locate BSM (Blind Spot Monitor) button underneath the radio display to turn off and RCTA (Rear Cross Traffic Alert) Systems, (if equipped). Next, unplug the wiring harnesses from the (2) monitor sensors located on the sides of the rear bumper.
2. Unplug the wiring harness leading to the bumper, **(Figure 1)**. Move all wiring harnesses away from the factory bumper.
3. **Determine if vehicle is equipped with factory receiver hitch**
Models without receiver hitch:

**FORTIS REAR BUMPER
2016-2019 TOYOTA TACOMA**

- a. Place blocks or jack stands under the bumper to support it during mounting bolt removal. Once the bumper has been safely supported, remove the factory hex bolts attaching the bumper brackets to the sides and bottom of the frame and slide the bumper assembly off of the vehicle.

Models with factory receiver hitch:

- a. Remove the plastic cover from the top of the bumper, **(Figure 2)**. **NOTE:** Cover is attached to the top, back and bottom by several plastic clips. Remove these pins to release plastic cover.
- b. Place blocks or jack stands under the bumper to support it during mounting bolt removal. Once the bumper has been safely supported, remove the factory hardware attaching the bumper to the top and bottom of the receiver hitch and remove the bumper, **(Figures 3 & 4)**. **NOTE:** Leave hitch attached to vehicle.

4. Remove the trailer plug (if equipped), from bumper.

5. **Optional Light installation** (Light not included).

- a. Follow instructions included with lights to attach to the light location on the back of the Bumper, (lights not included), **(Figure 5)**.

6. **Determine if vehicle is equipped with parking sensors**

Models without bumper sensors:

- a. Select (4) Rubber Plugs.
- b. From behind bumper, push plugs into sensor mounting holes, **(Figure 6)**.

Models with bumper mounted back-up sensors:

- a. Remove sensors and wiring harness from the back of the factory bumper.
- b. Select (1) sensor. Insert the sensor into the mounting sleeve in the back of the bumper.
- c. Secure sensor to the sleeve with (2) 4mm x 10mm Button Head Screws, **(Figure 7)**.
IMPORTANT: Sensors fit snug in sleeves. The 4mm Bolts are used to apply slight pressure to lock the sensors in place. Tighten both screws evenly until they touch the sensor body only. Do not overtighten screws or damage to sensors will result.
- d. Repeat previous **Steps** to attach the remaining (3) sensors.

7. **Determine if BSM (Blind Spot Monitor sensor) is equipped**

Models without BSM sensor:

- a. Select the Passenger/Right Cover Plate. Attach the top of the Plate to the Bumper with (1) 8mm Hex Bolt, (1) 8mm Lock Washer and (1) 8mm Flat Washer, **(Figure 8)**. Repeat this **Step** to attach the Driver/Left Cover Plate to the Bumper.
- b. Attach the Plate to the back of the Bumper with (1) 8mm Button Head Bolt, (2) 8mm Flat Washers, (1) 8mm Lock Washer and (1) 8mm Hex Nut, **(Figure 8)**. Repeat this **Step** for the Driver/Left Cover Plate.

Models with BSM sensor:

- a. Select the Passenger/Right BSM sensor. Attach the sensor to the Passenger/Right BSM Bracket with (3) 6mm x 30mm Hex Bolts, (6) 6mm x 12mm Flat Washers, (3) 6mm Lock Washers and (3) 6mm Hex Nuts, **(Figure 9)**.
- b. Attach the BSM sensor assembly to the Passenger/Right side of the Bumper with (1) 8mm Hex Bolt, (2) 8mm Flat Washers, (1) 8mm Lock Washer and (1) 8mm Hex Nut, **(Figure 10)**.
- c. Repeat previous **Steps** to attach the Driver/Left BSM sensor to the side of the Bumper.

8. **Determine if vehicle is equipped with a receiver hitch**

Models without factory receiver hitch:

- a. Select (1) Support Bracket. Attach the Support Bracket to the bottom of the Passenger/Right frame with **(2) 12-1.25mm x 45mm Fine Thread Hex Bolts**, (2) 12mm Lock Washers and (2) 12mm x 32mm Flat Washers, **(Figure 11)**. Do not tighten hardware at this time.
- b. Select the Passenger/Right Mounting Bracket. Reuse the factory bolt to attach the Mounting Bracket to the frame. Attach the Mounting Bracket to the Support Bracket with (2) 12-1.75mm x 40mm Coarse Thread Bolts, (4) 12mm x 32mm Flat Washers, **(Figure 12)**.
- c. Repeat previous **Steps** to attach (1) Support Bracket and the Driver/Left Mounting Bracket.

Models with factory receiver hitch:

- a. Select the Passenger/Right Mounting Bracket.
- b. Attach the Bracket to the hitch bracket with (3) factory bolts, **(Figures 12—14)**.
- c. Repeat previous **Steps** to attach the Driver/Left Mounting Bracket to the hitch bracket.

**FORTIS REAR BUMPER
2016-2019 TOYOTA TACOMA**

9. With assistance, hold the Fortis Bumper up to the mounting location. Temporarily support the weight of the Bumper. **WARNING:** To avoid possible injury or damage to the vehicle, do not proceed until the bumper is fully and safely supported.
10. Attach the Bumper to the Passenger/Right Mounting Bracket with (2) 12-1.75mm x 40mm Coarse Thread Hex Bolts, (4) 12mm x 32mm Flat Washers and (2) 12mm Nylon Lock Nuts, **(Figures 15 & 16)**. Do not fully tighten hardware at this time. Repeat this **Step** to attach the Bumper to the Driver/Left Mounting Bracket.
11. Open tailgate and check for clearance. Level and adjust the bumper and fully tighten all hardware.
12. Plug in all wiring harnesses.
13. Use the included (2) push-in plugs to attach the license plate to the Bumper, **(Figure 17)**. Insert the factory license plate light and trailer plug into the holes. Connect the harness to the license plate light.
14. Do periodic inspections to the installation to make sure that all hardware is secure and tight.

To protect your investment, Do not use any type of polish or wax that may contain abrasives that could damage the finish. Mild soap may be used to clean the Bumper assembly.

Passenger/Right Side Installation Pictured

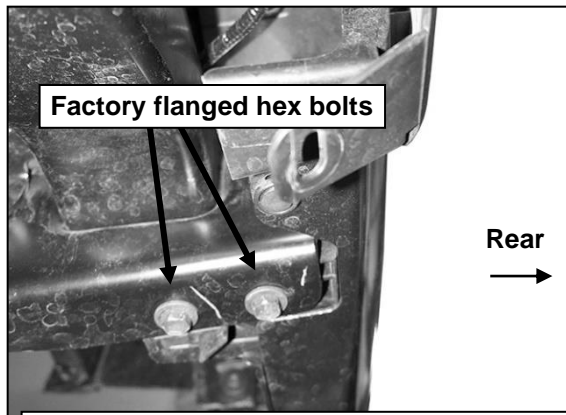
WARNING! Do not remove bumper bolts unless the bumper is properly supported on blocks or stands or the bumper may fall.



(Fig 1) Unplug and remove trailer plug, unplug license plate lights and sensors if equipped



(Fig 2) Models with receiver hitch, remove plastic cover from top of bumper

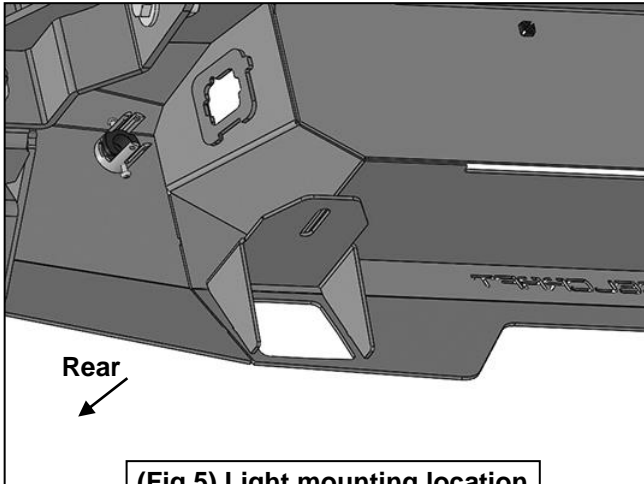


(Fig 3) Models with receiver hitch, remove the hex bolts attaching bottom of bumper

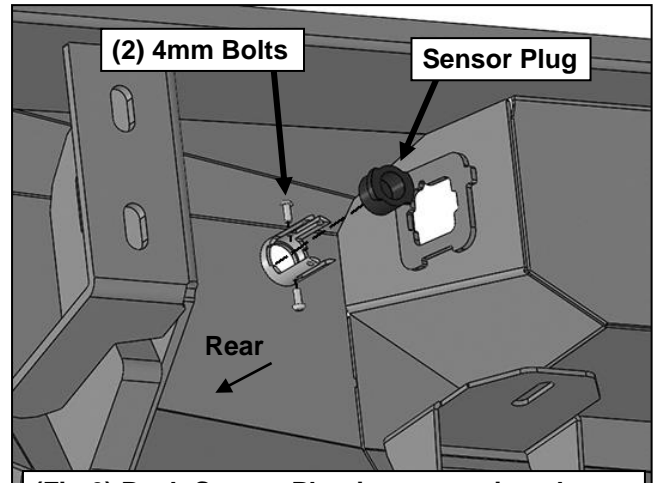


(Fig 4) Models with receiver hitch, remove the hex bolts attaching top of bumper

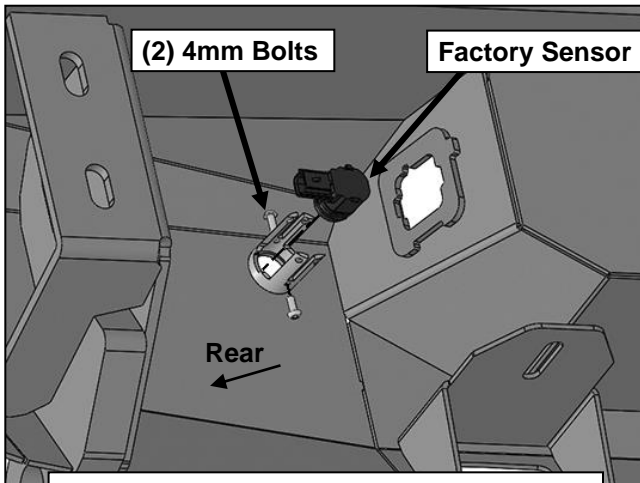
Passenger/Right Side Installation Pictured



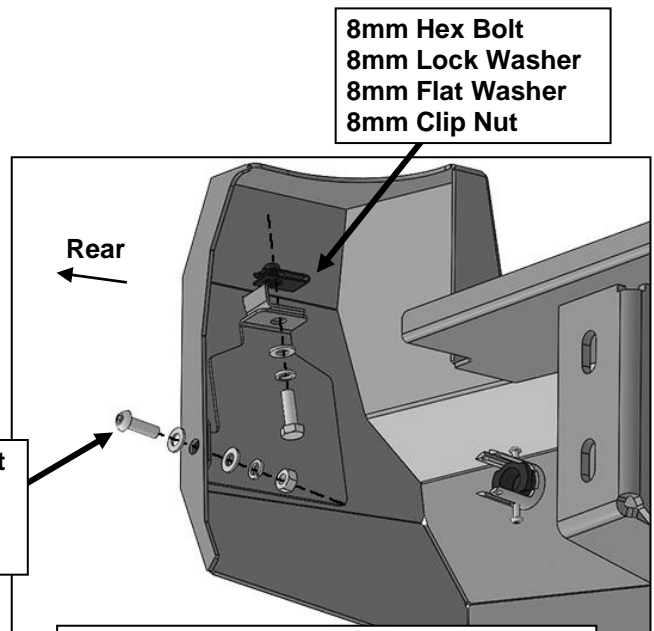
(Fig 5) Light mounting location
(light not included)



(Fig 6) Push Sensor Plug into mounting sleeve.
(Optional: use 4mm Bolts to lock Plug in place)

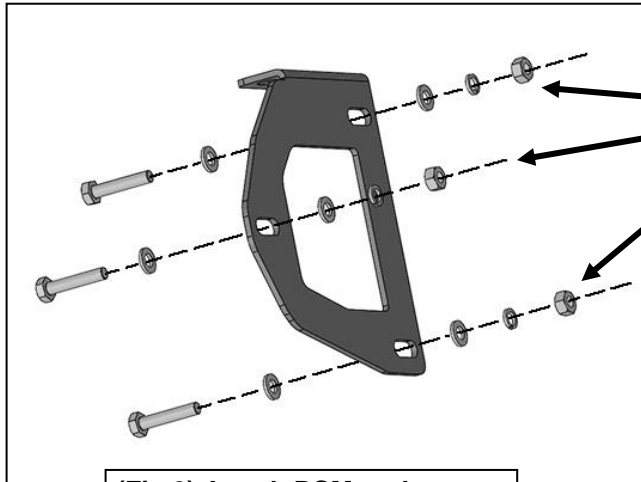


(Fig 7) Push Sensor into mounting sleeve.
Use 4mm Bolts to lock sensor in place



(Fig 8) Attach Cover Plate to the sides of
the Bumper if BSM will not be installed

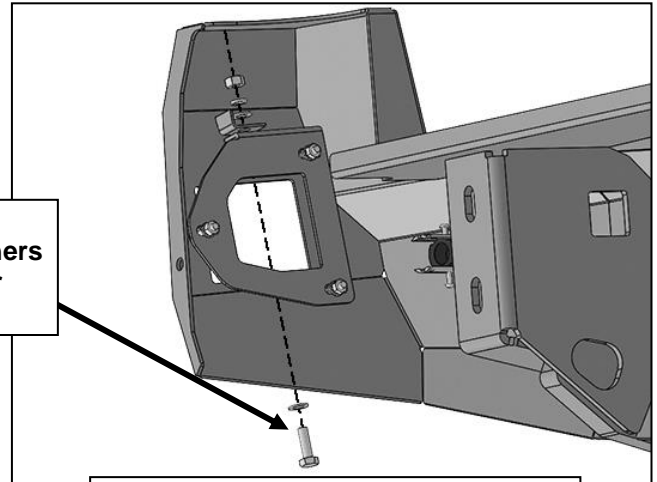
Passenger/Right Side Installation Pictured



- (3) 6mm x 30mm Hex Bolts
- (6) 6mm Flat Washers
- (3) 6mm Lock Washers
- (3) 6mm Hex Nuts

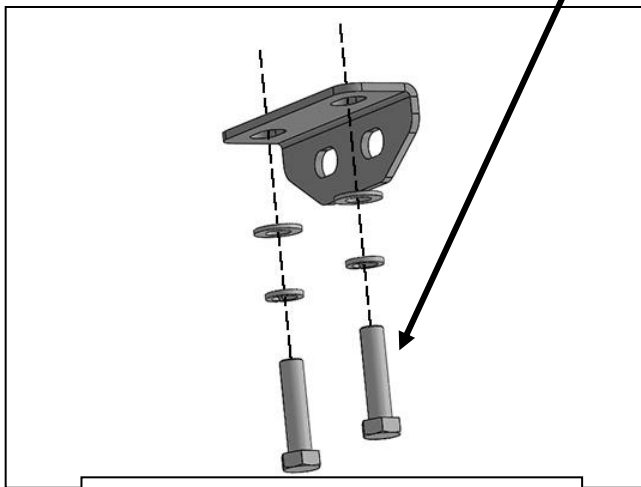
(Fig 9) Attach BSM to the Passenger/Right BSM Bracket

- 8mm Hex Bolt
- (2) 8mm Flat Washers
- 8mm Lock Washer
- 8mm Hex Nut



(Fig 10) Attach BSM assembly to the Passenger/Right side of the Bumper

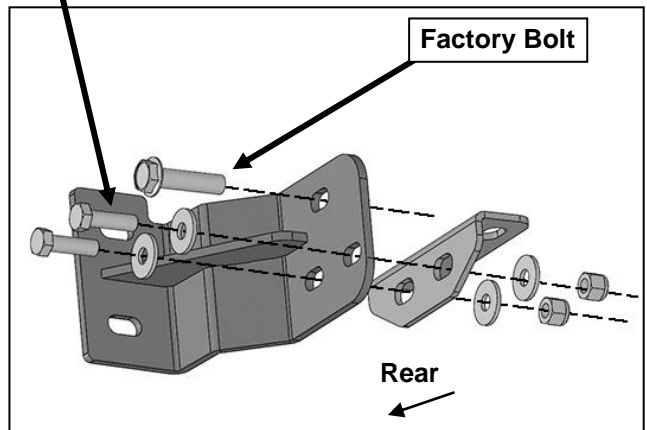
- (2) 12-1.25mm x 45mm Fine Thread Hex Bolts
- (2) 12mm Lock Washers
- (2) 12mm x 32mm Flat Washers



(Fig 11) Attach (1) Support Bracket to the Passenger/Right Frame (Required on models without receiver hitch)

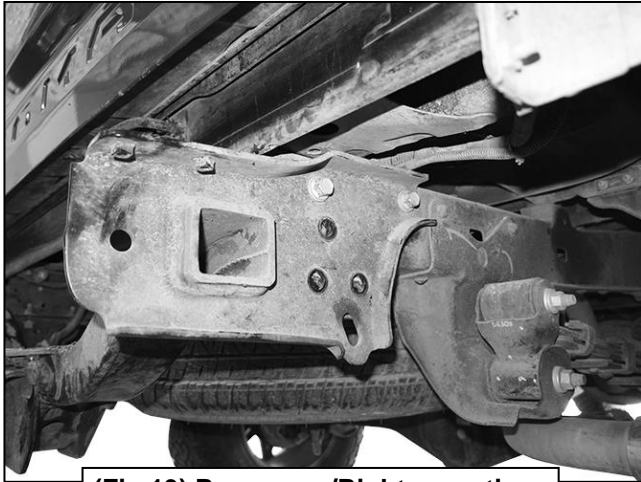
NOTE: Models with factory receiver hitch: Reuse (3) factory hex bolts to attach Passenger/Right Mounting Bracket to side of hitch.

- For models without hitch use:
- (2) 12-1.75mm x 40mm Coarse Thread Hex Bolts
 - (4) 12mm x 32mm Flat Washers
 - (2) 12mm Nylon Lock Nuts



(Fig 12) Models without factory receiver hitch: Reuse factory hex bolts to attach Mounting Bracket to side of frame. Use (2) 12-1.75mm Coarse Thread bolts on the bottom of the Bracket

Passenger/Right Side Installation Pictured

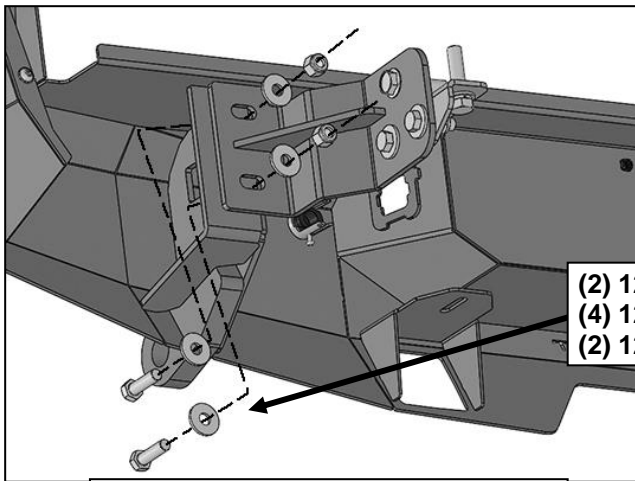


(Fig 13) Passenger/Right mounting location (model with hitch pictured)

WARNING! Do not crawl under bumper unless the bumper is properly supported on blocks or stands or the bumper may fall.

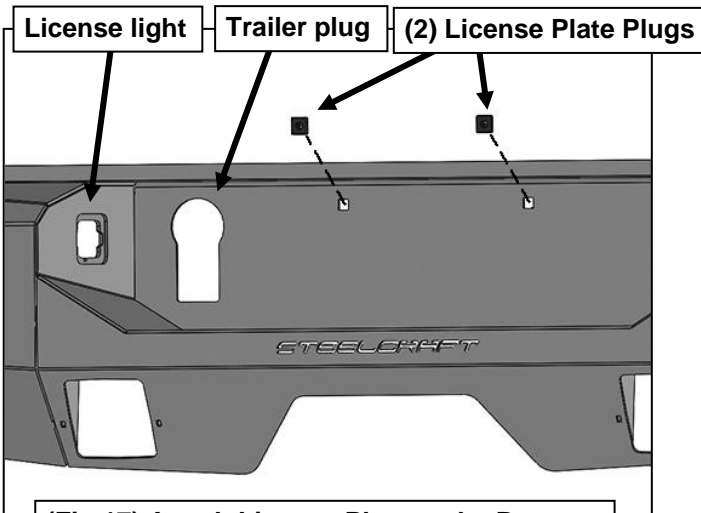


(Fig 14) Passenger/Right Mounting Bracket attached (Model with hitch pictured)



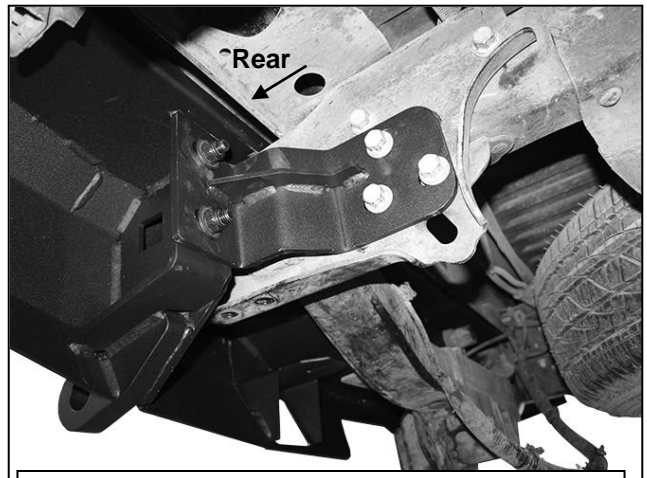
- (2) 12-1.75mm x 40mm Coarse Thread Hex Bolts
- (4) 12mm x 32mm Flat Washers
- (2) 12mm Nylon Lock Nuts

(Fig 15) Attach bumper to the Passenger/Right Mounting Bracket



- License light
- Trailer plug
- (2) License Plate Plugs

(Fig 17) Attach License Plate to the Bumper



(Fig 16) Bumper attached to Mounting Bracket