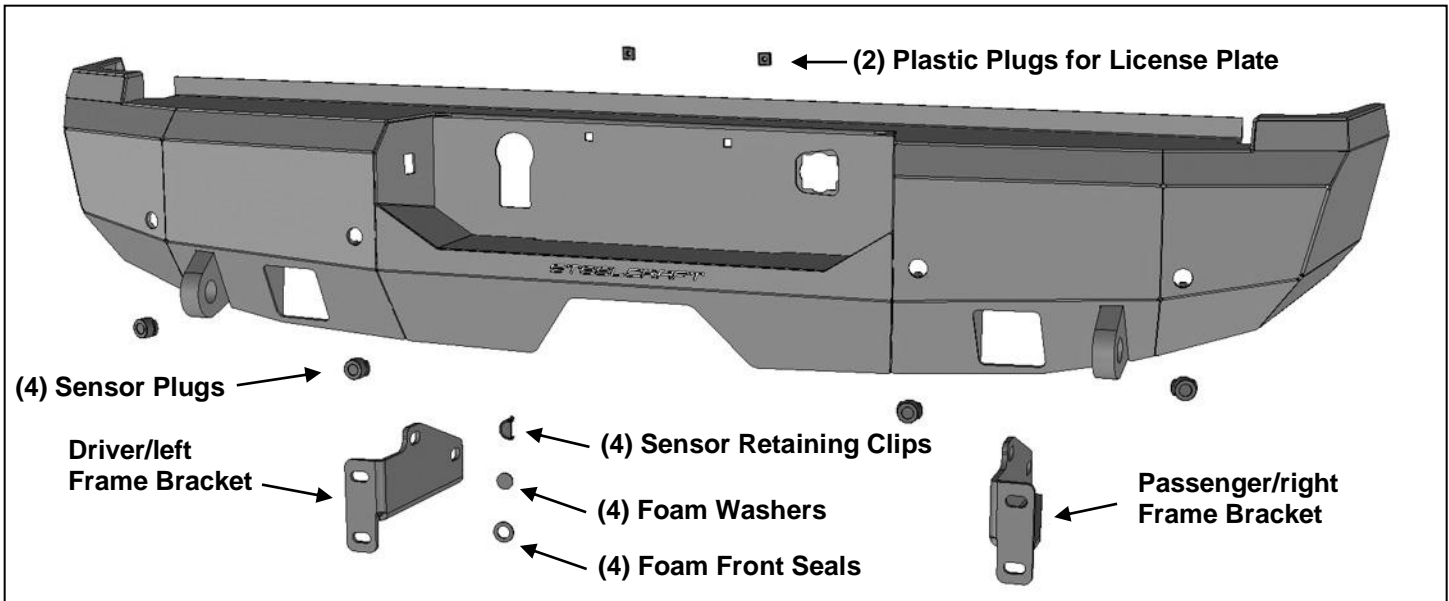




FORTIS REAR BUMPER 2015-20 CHEVY COLORADO

PARTS LIST:

1	Fortis Rear Bumper	2	License Plate Plugs
1	Driver/left Frame Bracket	4	12-1.75mm x 40mm Hex Bolts
1	Passenger/right Frame Bracket	8	12mm x 24mm x 2.5mm Flat Washers
4	Sensor Plugs	4	12mm Nylon Lock Nuts
4	Sensor Retaining Clips	2	6-1.0mm x 20mm Button Head Combo Bolts
4	20mm x 2mm Foam Washers	8	4mm x 10mm Button Head Bolts
4	20mm x 15.5mm x 2mm Foam Front Seals	1	4mm Wrench
1	Sensor Cover Kit	1	2.5mm Wrench



PROCEDURE:

REMOVE CONTENTS FROM BOX. VERIFY ALL PARTS ARE PRESENT. READ INSTRUCTIONS CAREFULLY BEFORE STARTING INSTALLATION. BUMPER IS HEAVY, ASSISTANCE IS HIGHLY RECOMMENDED TO AVOID POSSIBLE INJURY OR DAMAGE TO THE VEHICLE.

1. Remove the license plate. Remove the trailer plug from the bumper. Unplug the wiring harness leading to the rear bumper and move harness away from bumper as necessary.
2. Place blocks or jack stands under the bumper to support it during mounting bolt removal. Remove the hex bolts attaching the brackets to the outside of the frame and slide the bumper with brackets off of the frame, **(Figure 1)**.
3. Select the driver/left Frame Bracket, **(Figure 2)**. Reuse the factory hex bolts to attach the Bracket to the driver/left side of the frame. Repeat this Step to install the passenger/right Frame Bracket.
4. Remove the wiring harness from the bumper. Remove the sensors, (if equipped), license plate lights and trailer plug, **(Figures 3 & 4)**.
5. Select the factory license plate lights, **(Figure 4)**. Use the included (2) 6mm Combo Bolts to attach the license plate lights to the brackets on both sides of the Bumper, **(Figure 5)**. Also snap the trailer plug if equipped, into the opening in the Bumper.
6. Determine if the vehicle is equipped with sensors. **NOTE:** Depending on tow package, it may be necessary or easier to install sensors, (if equipped), before installing the Bumper.

Models without bumper sensors:

- a. Select the included (4) Rubber Plugs.
- b. From behind bumper, push plugs into sensor mounting holes, **(Figure 6)**. Screws have been provided to lock the plugs in the sleeve. Use is optional.
- c. Install wiring harness for license plate lights.

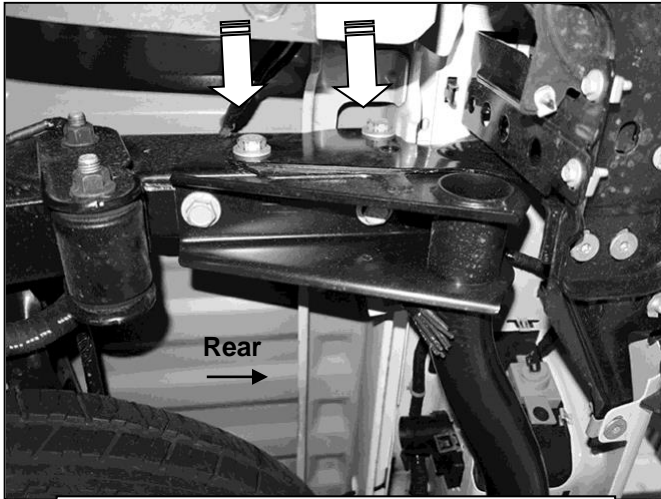
Models with bumper mounted sensors:

- a. Remove sensors from factory bumper. Note original location of each sensor for reinstallation.
 - b. Remove the seal from the end of the sensor. Slide the included larger Sensor Seal over front of sensor, **(Figure 7)**.
 - c. Insert sensor with Seal into sensor mount, **(Figure 8)**.
 - d. Place Foam Washer over end of sensor. Push Sensor Retaining Clip into sensor mount and lock into mounting holes, **(Figure 8)**.
 - e. Repeat previous Steps to install remaining sensors.
 - f. Install wiring harness for license plate lights and sensors.
 - g. **Optional:** Secure each sensor to the socket with (2) 4mm x 10mm Button Head Screws, **(Figure 6)**. **IMPORTANT:** Sensors fit snug in sockets. The 4mm Screws are used to apply slight pressure to lock the sensors in place. Tighten both screws evenly until they touch the sensor body only. Do not overtighten screws or damage to sensors will result.
7. With assistance, position the Bumper Assembly up to the Frame Brackets, **(Figure 9)**. Temporarily support the weight of the Bumper. **WARNING:** To avoid possible injury or damage to the vehicle, do not proceed until the Bumper is fully and safely supported.
 8. Attach the driver/left side of the Bumper to the Bracket with the included (2) 12mm x 40mm Hex Bolts, (4) 12mm Flat Washers and (2) 12mm Nylon Lock Nuts, **(Figures 9 & 10)**. Do not fully tighten hardware at this time. Repeat this Step to attach the passenger/right side of the Bumper to the Bracket.
 9. Check the bumper to see if it is level. Slowly open the tailgate and check for clearance. Level and adjust the bumper and fully tighten the bracket hardware to 65-70ft-lbs.
 10. Use the included (2) push-in Plastic Plugs to attach the rear license plate to the (2) holes in the Bumper, **(Figure 11)**.
 11. Plug the all wire harnesses & trailer plug into the vehicle harness.
 12. Locate the mounting slots in the tabs on the back of the Bumper to install lights if desired, **(Figure 9)**. **NOTE:** Lights not included.
 13. Do periodic inspections to the installation to make sure that all hardware is secure and tight.

To protect your investment, Do not use any type of polish or wax that may contain abrasives that could damage the finish. Mild soap may be used to clean the Bumper assembly.

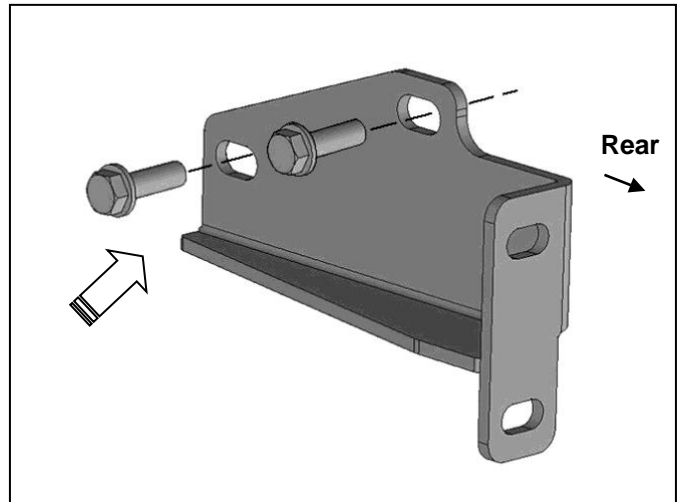
**FORTIS REAR BUMPER
2015-20 CHEVY COLORADO**

Driver/left side installation pictured

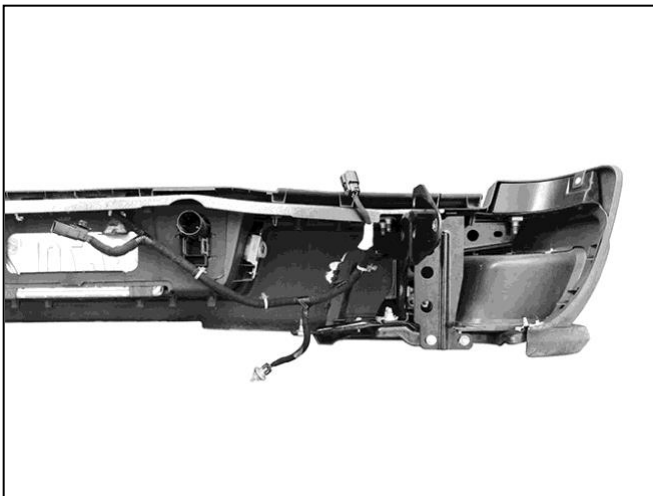


(Fig 1) Remove the bumper bracket bolts, (arrow), to remove bumper assembly. Driver/left side pictured from below

WARNING! Before removing hardware, fully support the weight of the bumper with blocks or stands to prevent injury or damage to the vehicle.



(Fig 2) Reuse factory bolts to attach driver/left Frame Bracket to side of frame

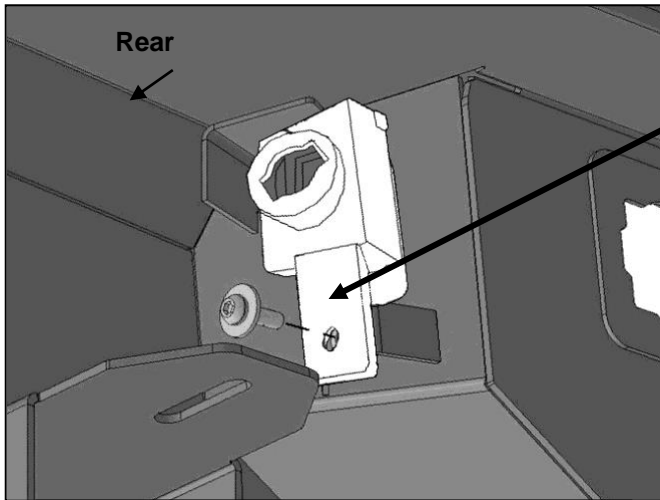


(Fig 3) Remove license plate lights and wiring harness from factory bumper



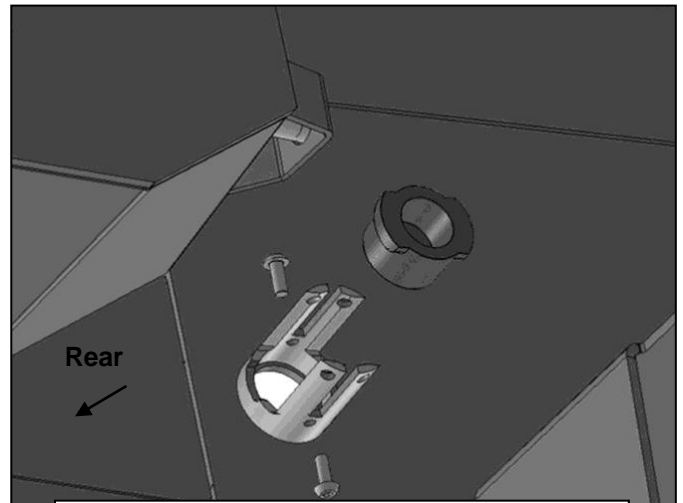
(Fig 4) Remove license plate lights and wiring harness from factory bumper

Driver/left side installation pictured

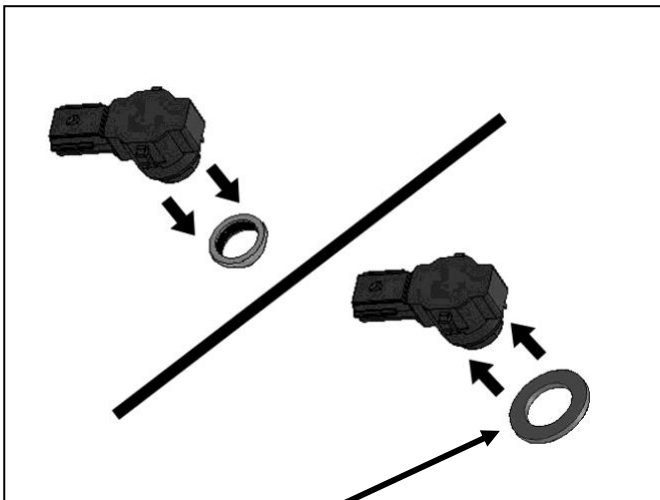


6mm Button Head
Combo Bolt

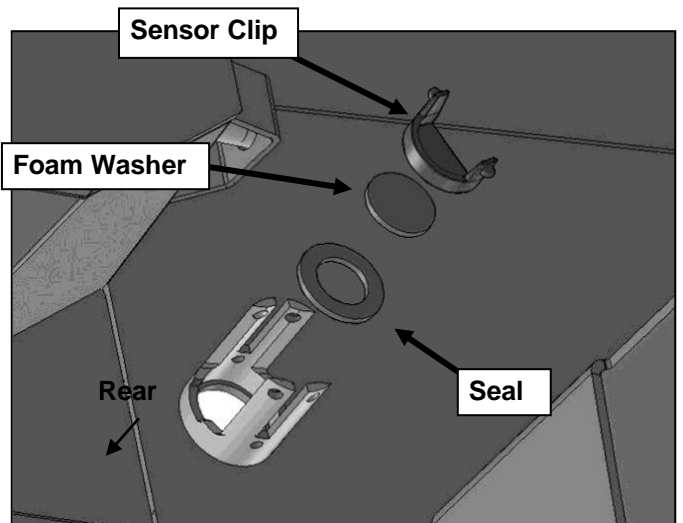
(Fig 5) Attach license plate lights to Bumper



(Fig 6) Push Plug into mounting sleeve.
Use 4mm Screws to lock Plug in place.



(Fig 7) Remove silicone seal from sensor.
Slide large Seal over end of sensor (arrow)

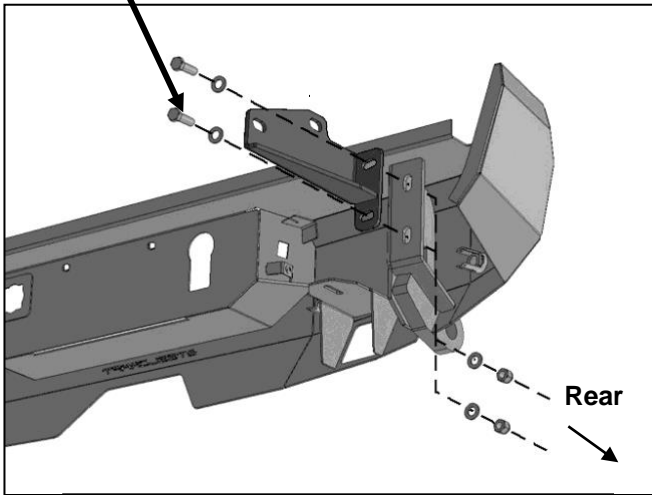


(Fig 8) Slide sensor into sleeve, insert Foam
Washer and Clip to lock sensor in sleeve

**FORTIS REAR BUMPER
2015-20 CHEVY COLORADO**

Driver/left side installation pictured

- (3) 10mm x 35mm Hex Bolts
- (6) 10mm Flat Washers
- (3) 10mm Lock Washers
- (3) 10mm Hex Nuts



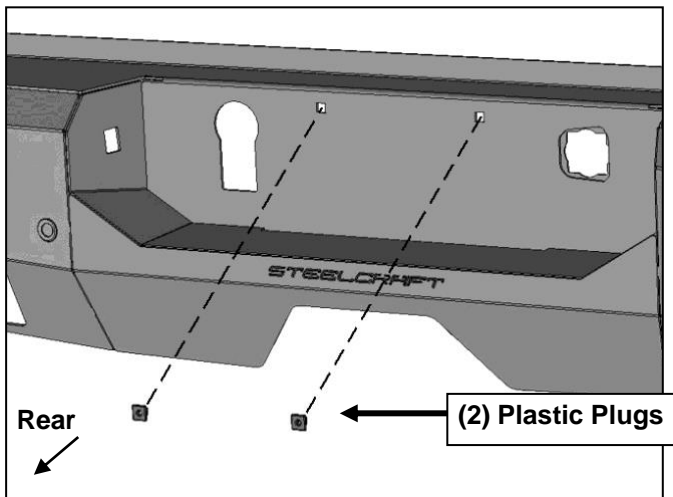
(Fig 9) Attach Bumper to Frame Brackets

WARNING! Do not crawl under bumper unless the bumper is properly supported on blocks or stands or the bumper may fall.

- (2) 12mm x 40mm Hex Bolts
- (4) 12mm Flat Washers
- (2) 12mm Nylon Lock Nuts



**(Fig 10) Attach Bumper to Frame Brackets
(driver/left side pictured from below)**



**(Fig 11) Attach towing harness plug and
(2) Plastic Plugs for the license plate**

