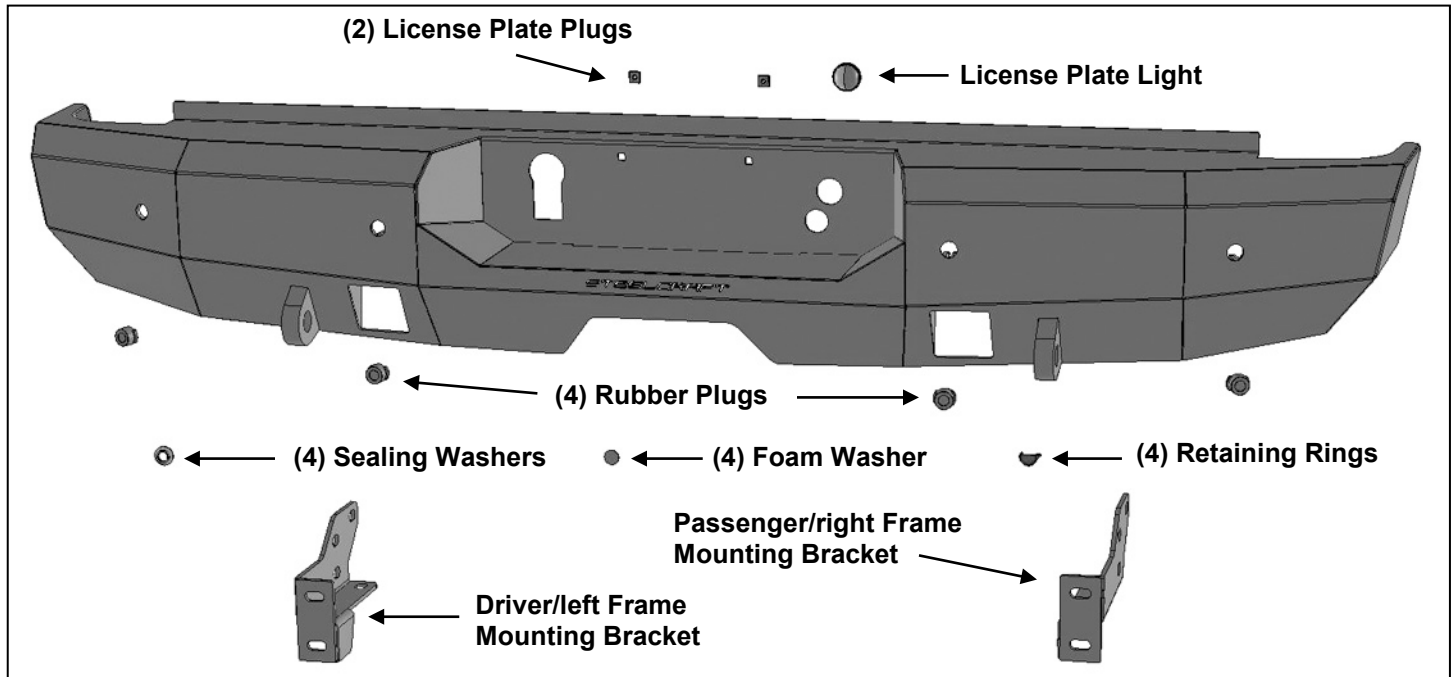


**FORTIS REAR BUMPER
2014-18 CHEVY SILVERADO 1500**

PARTS LIST:

1	Fortis Rear Bumper	12	14mm x 28mm OD x 2.5mm Flat Washers
1	Driver/left Mounting Bracket	6	14mm Nylon Lock Nuts
1	Passenger/right Mounting Bracket	4	12-1.75mm x 40mm Hex Bolts
4	Rubber Sensor Plugs	8	12mm x 37mm x 3mm Flat Washers
4	Sealing Washers	4	12mm Lock Washers
4	20mm x 2mm Foam Spacers	4	12mm Hex Nuts
4	Retaining Rings	2	10-1.5mm x 40mm Hex Bolts
1	Sensor Cover Kit	4	10mm x 34mm OD x 3mm Flat Washers
1	License Plate Light	2	10mm Nylon Lock Nuts
2	License Plate Plugs	8	4mm x 10mm Button Head Bolts
6	14-2.0mm x 45mm Hex Bolts	1	2.5mm Wrench



PROCEDURE:

REMOVE CONTENTS FROM BOX. VERIFY ALL PARTS ARE PRESENT. READ INSTRUCTIONS CAREFULLY BEFORE STARTING INSTALLATION. BUMPER IS HEAVY, ASSISTANCE IS HIGHLY RECOMMENDED TO AVOID POSSIBLE INJURY OR DAMAGE TO THE VEHICLE.

1. Remove the license plate. Unplug all wiring harnesses leading to the bumper. Release the wiring harness from the clips attached to the back of the bumper and move harness away from bumper as necessary.
2. Place blocks or jack stands under the bumper to support it during mounting bolt removal.

NOTE: Bumper may be attached to top of factory tow hitch. Remove these (2) hex bolts first if equipped. Release the plastic clips attaching the plastic cover to the steel bumper, **(Figure 1)**. Remove cover and hardware attaching the bumper to the bumper brackets, **(Figure 2)**. With assistance, remove the outer steel bumper, then remove the hex bolts attaching the brackets to the frame and slide the brackets out of the ends of the frame, **(Figures 3 & 5)**.

OPTION: To avoid disassembling the bumper and to remove the bumper with brackets as an assembly, the end of the bed must be raised slightly to clear the inner tab on the brackets. Insert socket with long extension up and through the access hole in the bottom of the frame to remove the rear hex bolts, **(Figure 4)**. Once the bolts have been removed, raise the bed. Do not loosen or remove the front bed bolts **NOTE:** On long bed models with center bolts, loosen but do not remove the center bolts.

**FORTIS REAR BUMPER
2014-18 CHEVY SILVERADO 1500**

3. Select the passenger/right Frame Mounting Bracket, **(Figure 6)**. Attach the forward end of the Bracket to the frame with (1) 10mm x 40mm Hex Bolt, (2) 10mm Flat Washers and (1) 10mm Nylon Lock Nut. Attach the Bracket to the side and bottom of the frame with (3) 14mm x 45mm Hex Bolts, (6) 14mm Flat Washers and (3) 14mm Nylon Lock Nuts. Snug but do not fully tighten hardware at this time. Repeat this Step to attach the driver/left Frame Bracket, **(Figure 7)**. **IMPORTANT:** If the bed bolts were removed as described in **Step 2**, reinstall and fully tighten all bed mounting bolts.
4. Determine if bumper is equipped with sensors. **NOTE:** Sensors and wiring harness must be installed in Bumper before installing Bumper Assembly.

Models without bumper sensors:

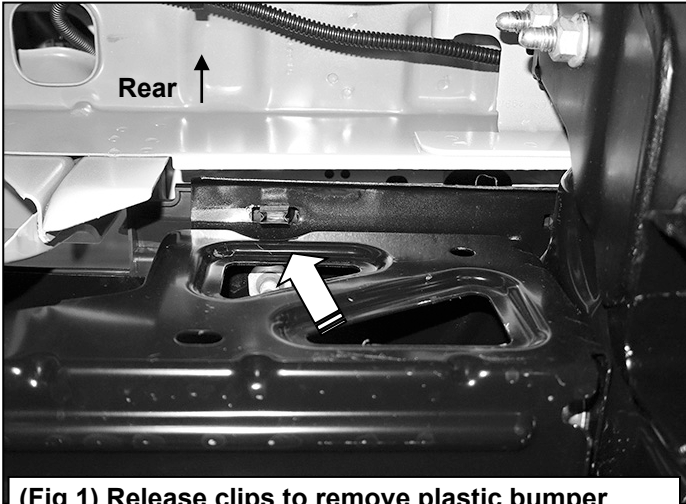
- a. Select the included (4) Rubber Plugs, **(Figure 8)**.
- b. From behind bumper, push plugs into sensor mounting holes, **(Figure 8)**.

Models with bumper mounted sensors:

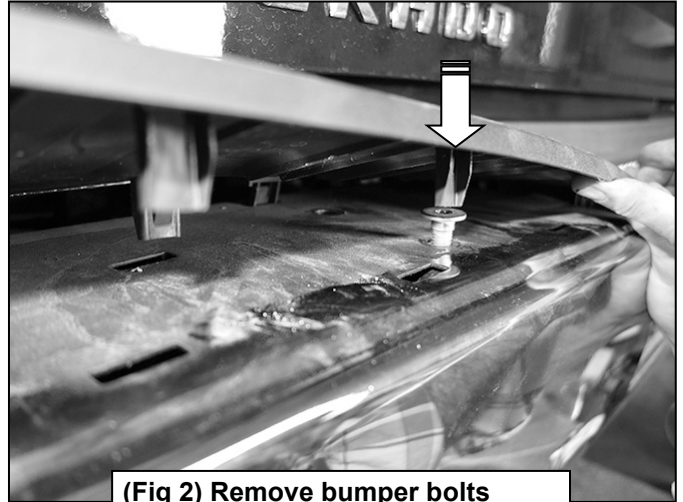
- a. Remove the wiring harness and sensors from the factory bumper.
 - b. Select (1) sensor. Remove the factory sealing washer from the end of the sensor. Attach the provided Sealing Washer onto the front of the sensor, **(Figure 9)**.
 - c. Push the sensor in from the back of the Bumper until it is flush with the face of the bumper. Attach the adhesive side of (1) Foam Spacer to (1) Retaining Ring. Push the Retaining Ring into the sensor sleeve to secure the sensor, **(Figure 10)**.
 - d. Repeat the previous Steps for the remaining sensors.
 - e. Attach the factory wiring harness to the sensors.
5. With assistance, position the Bumper up to the Mounting Brackets. Temporarily support the weight of the Bumper. **WARNING:** To avoid possible injury or damage to the vehicle, do not proceed until the Bumper is fully and safely supported.
 6. Line up the mounting holes on the back of the Bumper with the Mounting Brackets. Attach the passenger/right side of the Bumper to the Bracket with the included (2) 12mm x 40mm Hex Bolts, (4) 12mm Flat Washers, (2) 12mm Lock Washers and (2) 12mm Hex Nuts, **(Figure 11)**. Snug but do not tighten hardware at this time. Repeat this Step to attach the driver/left side of the Bumper to the Bracket. **NOTE:** Temporarily remove spare tire for additional room to access hardware attaching bed, back of Bumper and Brackets if needed.
 7. Check the bumper to see if it is level and if there is a gap between the top of the factory trailer hitch and the bottom of the mounting plate on the back of the bumper. Slowly open tailgate and check for clearance. Level and adjust the bumper and fully tighten all 14mm hardware to 65-70ft-lbs, 12mm hardware to 45-55ft-lbs, and 10mm hardware to 30-40ft-lbs.
 8. Locate the mounting slots in the tabs on the back of the Bumper to install lights if desired. **NOTE:** Lights not included.
 9. Use the (2) plastic plugs to attach the license plate to the (2) holes in the Bumper, **(Figure 12)**.
 10. Insert the License Plate Light into the hole in the bumper, **(Figure 12)**. Attach the License Plate Light wiring to the end of the factory license plate light wire harness. Reinstall the factory trailer harness plug into the opening in the bumper. **NOTE:** Use a small flat blade screwdriver to bend the metal clips to hold plug in bumper.
 11. Do periodic inspections to the installation to make sure that all hardware is secure and tight.

To protect your investment Do not use any type of polish or wax that may contain abrasives that could damage the finish. Mild soap may be used to clean the Rear Bumper assembly.

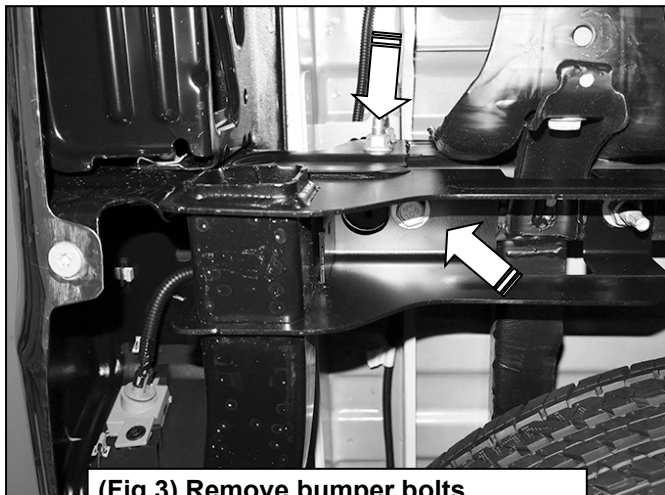
Passenger side installation pictured



(Fig 1) Release clips to remove plastic bumper cover (arrow). Passenger side pictured from below



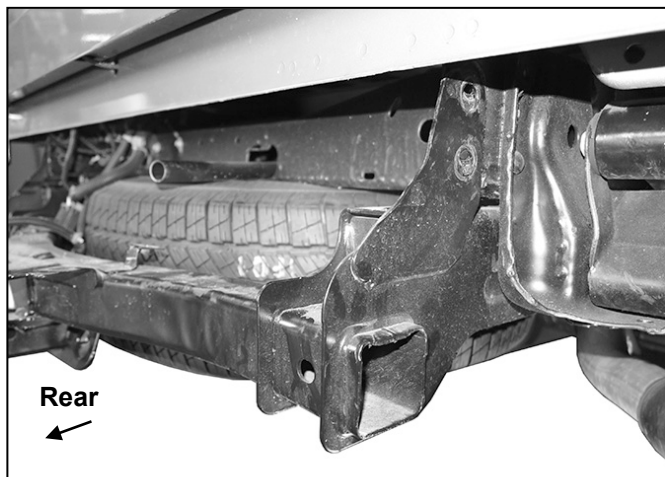
(Fig 2) Remove bumper bolts attaching bumper to inner bracket



(Fig 3) Remove bumper bolts attaching brackets to frame (arrows)



(Fig 4) OPTION: Access rear bed mounting bolts through hole in frame. Remove bed bolts and raise bed to remove bumper with brackets attached



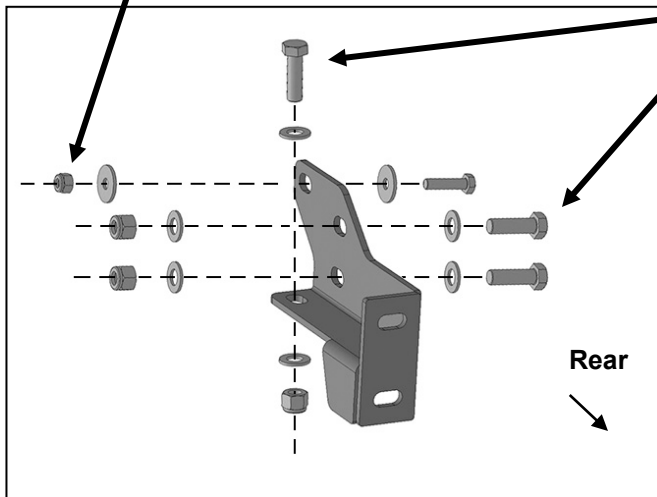
(Fig 5) End of frame once factory bumper is removed

WARNING! Before removing hardware, fully support the weight of the bumper with blocks or stands to prevent injury or damage to the vehicle.

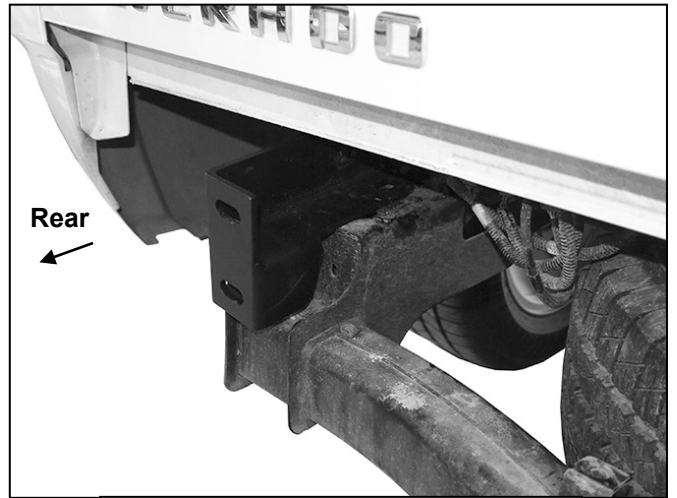
Passenger side installation pictured

10mm x 50mm Hex Bolt
(2) 10mm Flat Washers
10mm Nylon Lock Nut

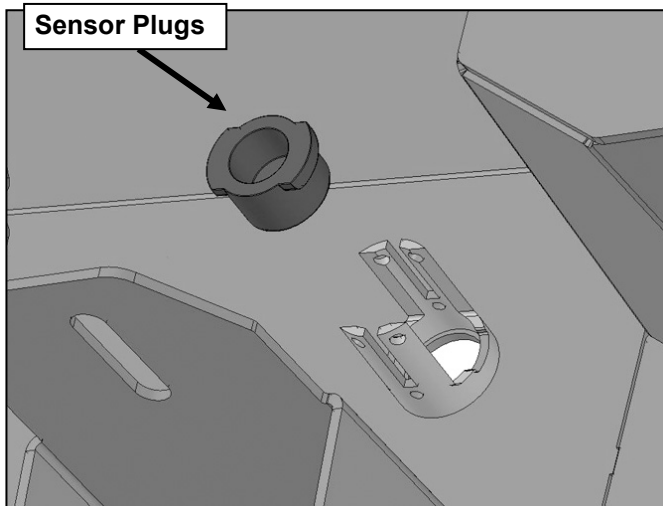
(3) 14mm x 45mm Hex Bolts
(6) 14mm Flat Washers
(3) 14mm Nylon Lock Nuts



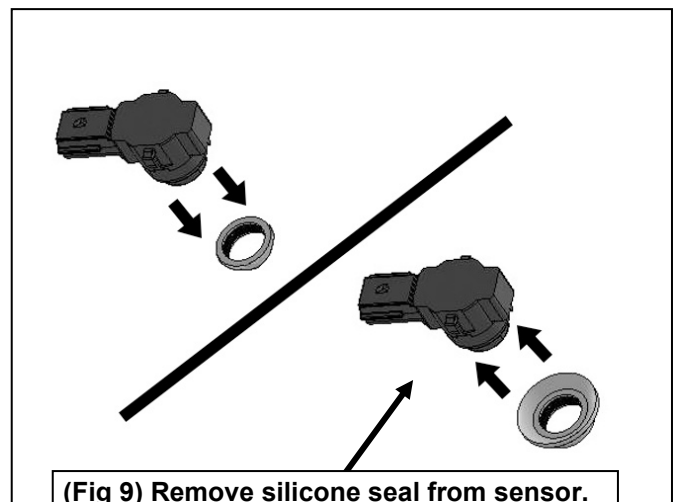
(Fig 6) Attach passenger/right Frame Bracket mounting holes in frame and hitch if equipped



(Fig 7) Driver/left Bracket installed on Model with receiver hitch

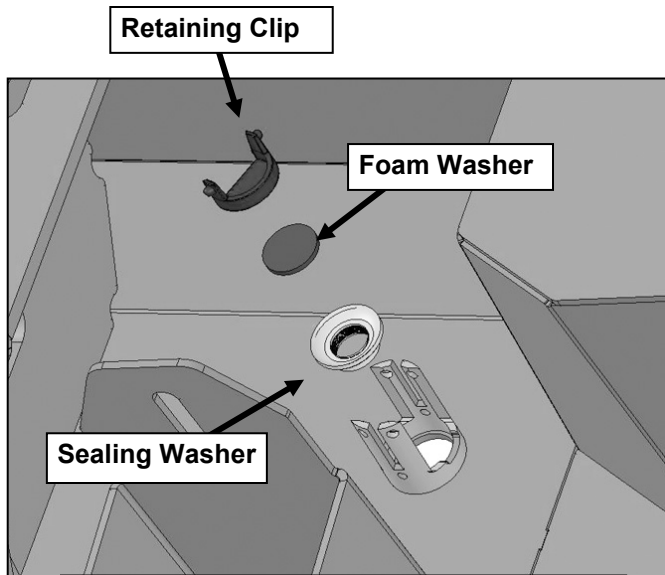


(Fig 8) Push sensor plug into mounting sleeve. Use of 4mm Screws is optional



**FORTIS REAR BUMPER
2014-18 CHEVY SILVERADO 1500**

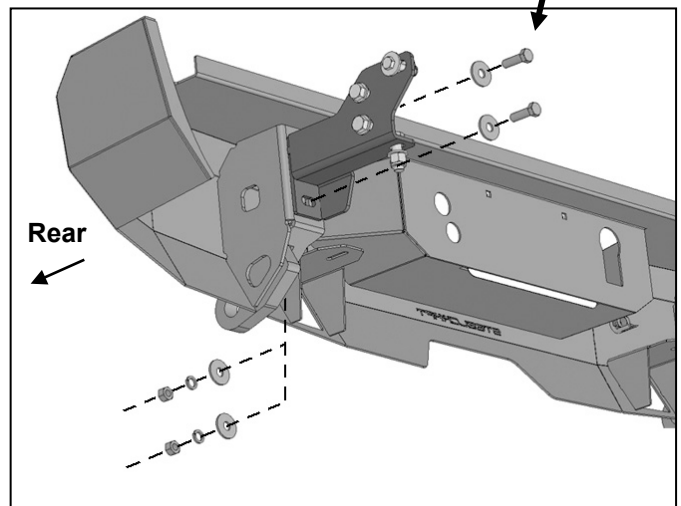
Passenger side installation pictured



(Fig 10) Insert sensor assembly through the sensor sleeve behind the Bumper

WARNING! Before installation, fully support the weight of the bumper with blocks or stands to prevent injury or damage to the vehicle.

- (2) 12mm x 55mm Hex Bolts
- (4) 12mm Flat Washers
- (2) 12mm Lock Washers
- (2) 12mm Hex Nuts



(Fig 11) Attach Bumper to Frame Brackets

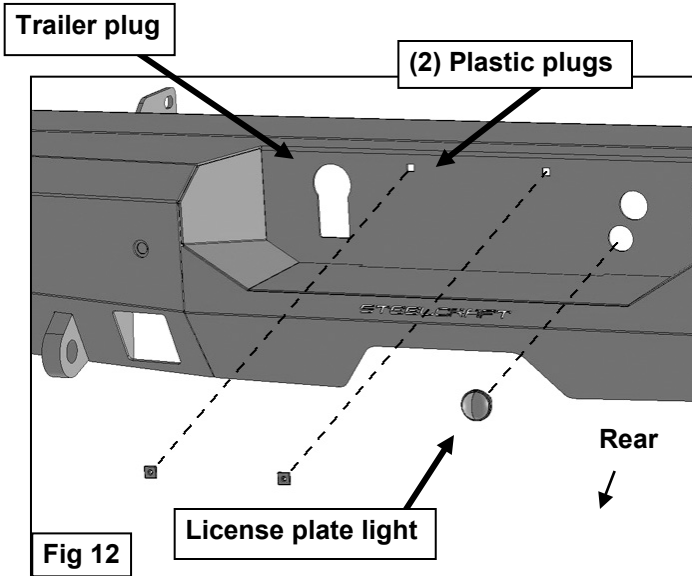


Fig 12

