

# INSTALLATION INSTRUCTIONS

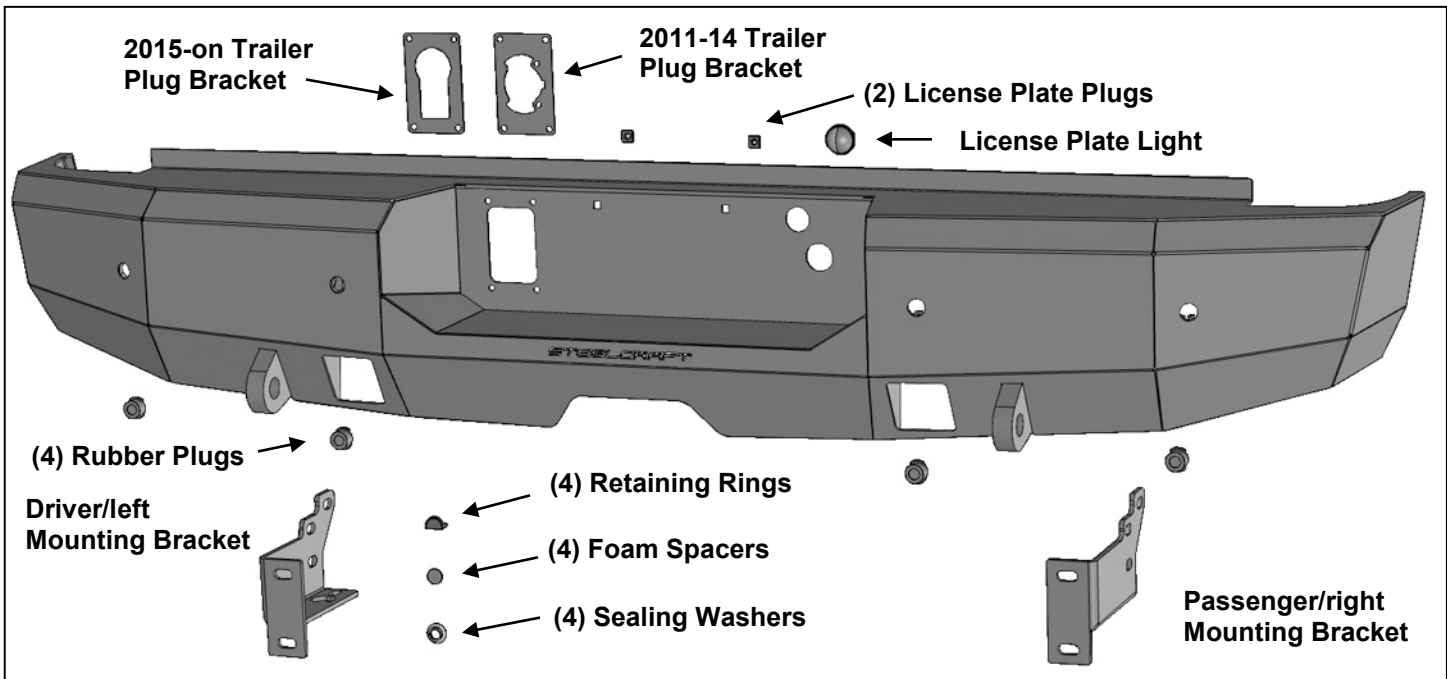
## FORTIS REAR BUMPER

FORTIS REAR BUMPER  
2011-18 CHEVY SILVERADO 25-3500

2011-18 CHEVY SILVERADO 25-3500

### PARTS LIST:

1	Fortis Rear Bumper	6	14mm Hex Nuts
1	Driver/left Mounting Bracket	4	12mm x 40mm Hex Bolts
1	Passenger/right Mounting Bracket	8	12mm x 37mm x 3mm Flat Washers
1	2015+ Trailer Plug Wire Harness Bracket	4	12mm Lock Nuts
1	2011-14 Trailer Plug Wire Harness Bracket	4	12mm Hex Nuts
2	Self-Tapping Screws (11-14 trailer plug)	2	10-1.5mm x 50mm Hex Bolts
4	Sealing Washers	4	10mm x 34mm OD x 3mm Flat Washers
4	20mm x 2mm Foam Spacers	2	10mm Lock Washers
4	Retaining Rings	2	10mm Hex Nuts
1	Sensor Covers Kit	4	6mm x 20mm Button Head Bolts
4	Sensor Hole Plugs	8	6mm x 12mm OD x 1.6mm Flat Washers
1	License Plate Light	4	6mm Nylon Lock Nuts
2	License Plate Plugs	8	4mm x 10mm Button Head Bolts
6	14-2.0mm x 45mm Hex Bolts	1	2.5mm Wrench
12	14mm x 28mm OD x 2.5mm Flat Washers	1	4mm Wrench
6	14mm Lock Washers		



### PROCEDURE:

**REMOVE CONTENTS FROM BOX. VERIFY ALL PARTS ARE PRESENT. READ INSTRUCTIONS CAREFULLY BEFORE STARTING INSTALLATION. BUMPER IS HEAVY, ASSISTANCE IS HIGHLY RECOMMENDED TO AVOID POSSIBLE INJURY OR DAMAGE TO THE VEHICLE.**

1. Remove the license plate. Unplug all wiring harnesses leading to the bumper. Release the wiring harness from the clips attached to the back of the bumper and move harness away from bumper as necessary.
2. Place blocks or jack stands under the bumper to support it during mounting bolt removal. **NOTE:** Bumper may be attached to top of factory tow hitch, (**Figure 1**). Remove these (2) hex bolts first if equipped. Release the plastic clips attaching the plastic cover to the steel bumper. Remove cover and hardware attaching the bumper to the bumper brackets. With assistance, remove the outer steel bumper, then remove the hex bolts attaching the brackets to the frame and slide the brackets out of the ends of the frame, (**Figures 2 & 3**). **OPTION:** To avoid disassembling the bumper and to remove the bumper with brackets as an assembly, on some model years, the end of the bed must be raised slightly to clear the inner tab on the brackets. Insert socket with long extension up and through the access hole

**FORTIS REAR BUMPER**  
**2011-18 CHEVY SILVERADO 25-3500**

in the bottom of the frame to remove the rear hex bolts, **(Figure 2)**. Once the bolts have been removed, raise the bed. Do not loosen or remove the front bed bolts **NOTE:** On long bed models with center bolts, remove the rear bolts and only loosen but do not remove the center bolts.

3. Move bumper to a clean, stable work area. Reattach the truck bed if hardware was previously loosened or removed.
4. Select the passenger/right Frame Mounting Bracket, **(Figure 4)**. Attach the Bracket to the forward mounting hole with the included 10mm x 50mm Hex Bolt, (2) 10mm Flat Washers, 10mm Lock Washer and 10mm Hex Nut, **(Figure 5)**. Next, attach the Bracket to the (3) larger factory holes in the side and bottom of the frame with (3) 14mm x 45mm Hex Bolts, (6) 14mm Flat Washers, (3) 14mm Lock Washers and (3) 14mm Hex Nuts, **(Figures 4 & 5)**. **NOTE:** Temporarily remove the spare tire for additional access to Bumper mounting hardware.
5. Repeat **Step 4** to install the driver/left Mounting Bracket, **(Figure 5)**.
6. Determine if vehicle is equipped with bumper mounted sensors. Sensors must be installed before installing Bumper Assembly.

**Models without bumper sensors:**

- a. Select the included (4) Rubber Plugs, **(Figure 6)**.
- b. From behind bumper, push plugs into sensor mounting holes, **(Figure 6)**.

**Models with bumper mounted sensors:**

- a. Remove wiring harness and sensors from factory bumper
  - b. Remove the factory sealing washer from the end of the sensor. Attach the provided larger Sealing Washer onto the front of the sensor, **(Figure 7)**.
  - c. Push the sensor in from the back of the Bumper until it is flush with or slightly protruding out from the outer Bumper surface. Attach the adhesive side of (1) Foam Spacer to (1) Retaining Ring. Push the Retaining Ring into the sensor sleeve to secure the sensor in place, **(Figure 8)**.
  - d. Repeat the previous Steps for the remaining sensors.
  - e. Install harness in Bumper and plug harness into sensors.
7. With assistance, position the Bumper Assembly up to the Mounting Brackets. Temporarily support the weight of the Bumper. **WARNING:** To avoid possible injury or damage to the vehicle, do not proceed until the Bumper is fully and safely supported.
  8. Line up the Bumper with Brackets. Attach the Bumper to the Brackets with the included (4) 12mm x 40mm hex Bolts, (8) 12mm Flat Washers, (4) 12mm Lock Washers and (4) 12mm Hex Nuts, **(Figures 9 & 10)**.
  9. Check the bumper to see if it is level and if there is a gap between the top of the factory trailer hitch and the bottom of the mounting plate on the back of the bumper. Slowly open the tailgate and check for clearance between the tailgate and the Bumper.
  10. Level and adjust the bumper and fully tighten all hardware.
  11. Use the included (2) push-in Plastic Nuts to attach the rear license plate to the (2) holes in the Bumper, **(Figure 11)**. Insert the License Plate Light into the hole in the bumper. Attach the License Plate Light wiring to the end of the factory license plate light wire harness.
  12. Select the correct mounting plate for your trailer harness plug, **(Figure 12)**. Attach the mounting plate to the back side of the Bumper with the included (4) 6mm Button Head Bolts, (8) 6mm Flat Washers and (4) 6mm Nylon Lock Nuts. **NOTE:** On 11-14 models, use the included (2) Self Tapping Screws to attach the trailer plug to the Bracket.
  13. Attach accessory lights (available separately) to mounting tabs on back of Bumper.
  14. Reinstall spare tire if previously removed.
  15. Do periodic inspections to the installation to make sure that all hardware is secure and tight.

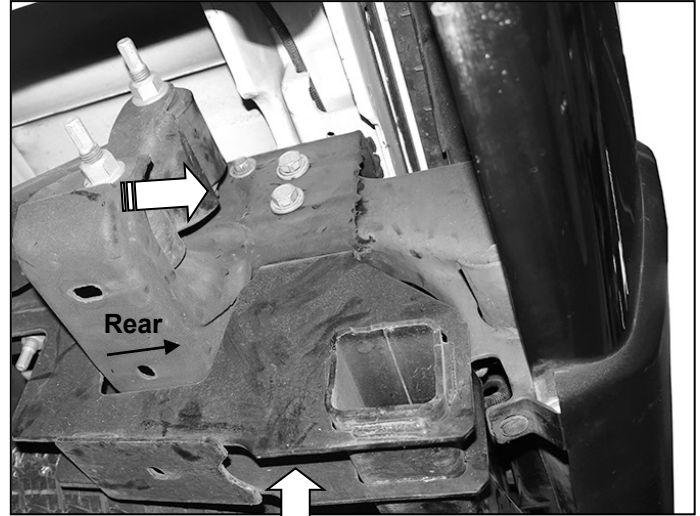
**To protect your investment,** Do not use any type of polish or wax that may contain abrasives that could damage the finish. Mild soap may be used to clean the Rear Bumper assembly.

**FORTIS REAR BUMPER  
2011-18 CHEVY SILVERADO 25-3500**

**WARNING!** Before removing hardware, fully support the weight of the bumper with blocks or stands to prevent injury or damage to the vehicle.



(Fig 1) Factory bumper may be attached to top of tow hitch. Remove factory hex bolts as required.

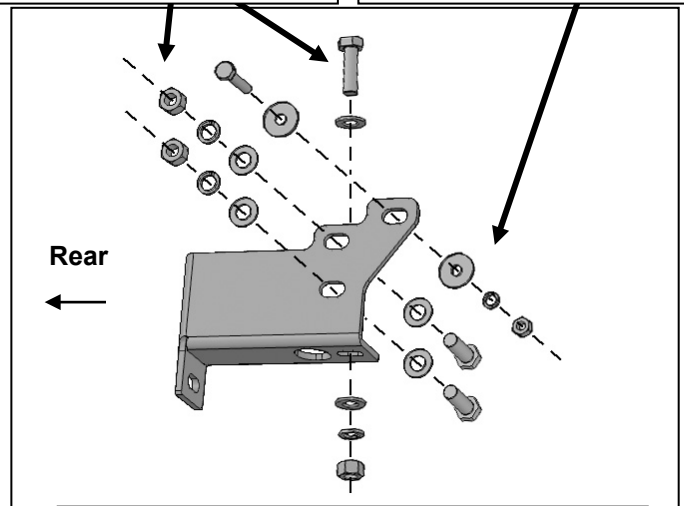


(Fig 2) Remove bumper bolts from side and bottom of frame (arrows) as required

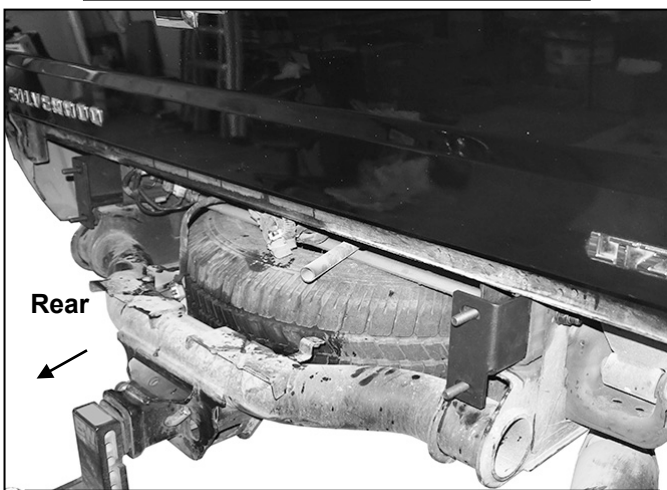


(Fig 3) Remove bumper and brackets

- |                           |                       |
|---------------------------|-----------------------|
| (3) 14mm x 45mm Hex Bolts | 10mm x 50mm Hex Bolt  |
| (6) 14mm Flat Washers     | (2) 10mm Flat Washers |
| (3) 14mm Lock Washers     | 10mm Lock Washer      |
| (3) 14mm Hex Nuts         | 10mm Hex Nut          |

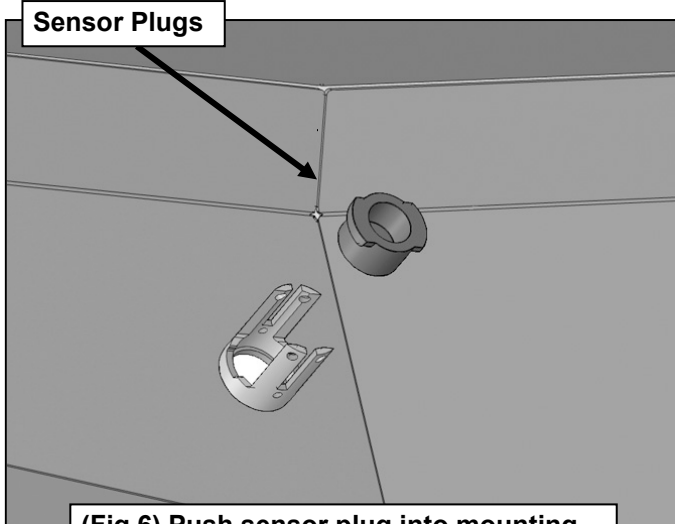


(Fig 4) Attach passenger side Frame Bracket assembly to end of frame (also see Fig. 5)

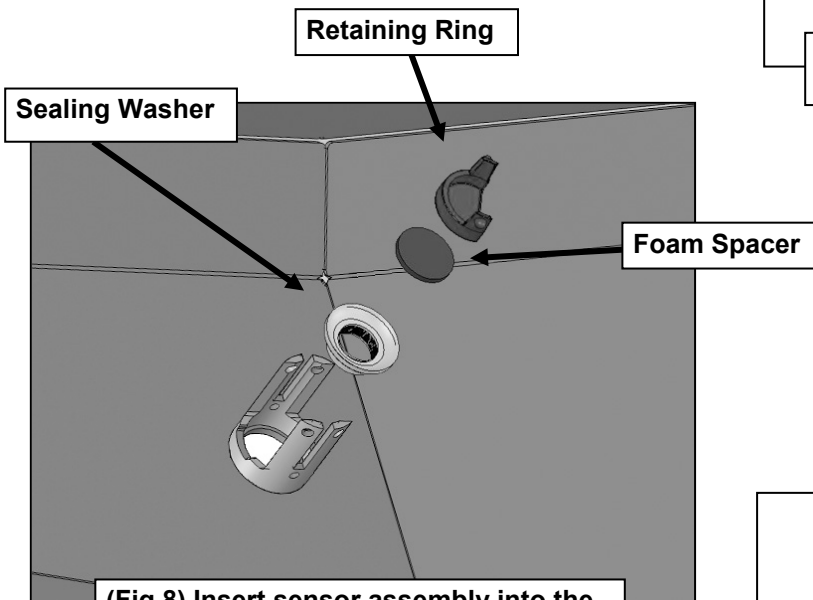
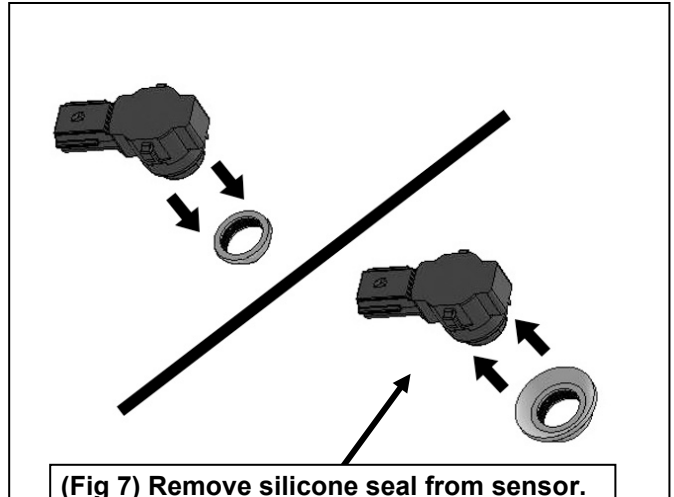


(Fig 5) Bumper Brackets installed. Temporarily remove spare tire for access to back of Bumper

**FORTIS REAR BUMPER  
2011-18 CHEVY SILVERADO 25-3500**

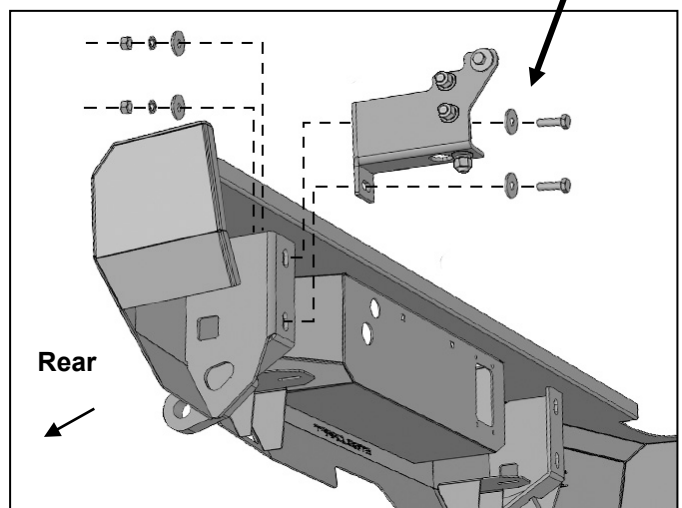


(Fig 6) Push sensor plug into mounting sleeve. Use of 4mm Screws is optional



(Fig 8) Insert sensor assembly into the sensor sleeve on back of Bumper

- (2) 12mm x 40mm Hex Bolts
- (4) 12mm Flat Washers
- (2) 12mm Lock Washers
- (2) 12mm Hex Nuts

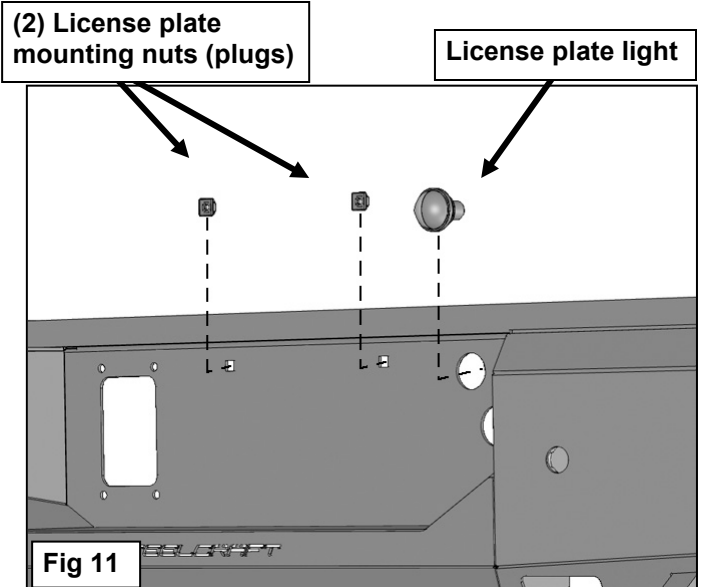


(Fig 9) Attach Bumper assembly to Mounting Brackets

**FORTIS REAR BUMPER  
2011-18 CHEVY SILVERADO 25-3500**



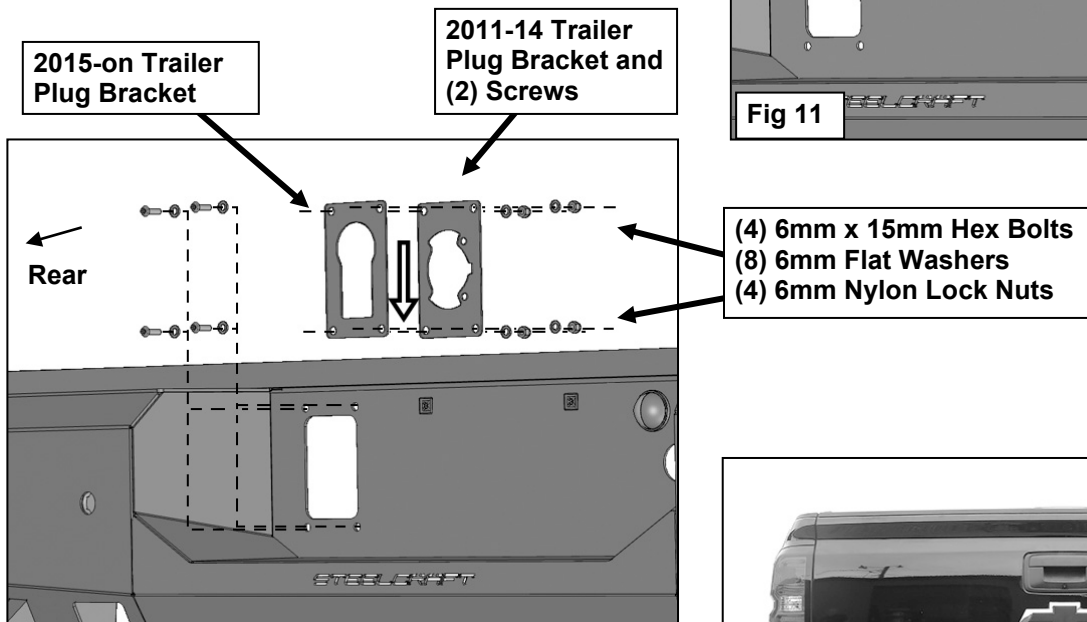
**(Fig 10) Passenger/right side of Bumper installed**



**(2) License plate mounting nuts (plugs)**

**License plate light**

**Fig 11**



**2015-on Trailer Plug Bracket**

**2011-14 Trailer Plug Bracket and (2) Screws**

**(4) 6mm x 15mm Hex Bolts  
(8) 6mm Flat Washers  
(4) 6mm Nylon Lock Nuts**

**Rear**

**(Fig 12) Attach correct trailer plug mounting bracket**



**Complete Installation**