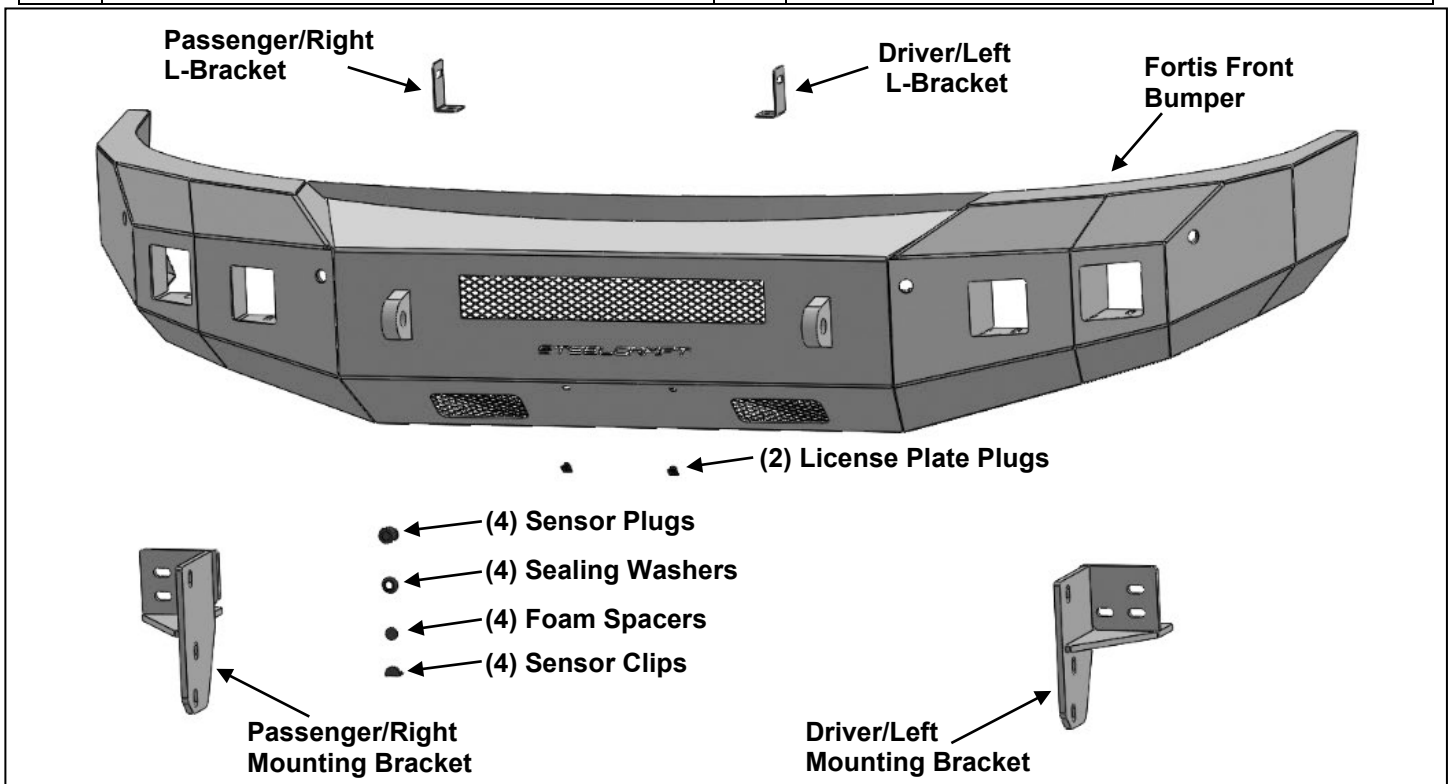




**FORTIS FRONT BUMPER  
2017-19 TITAN (EXCLUDES XD MODELS)**

**PARTS LIST:**

1	Front Bumper	6	12-1.75mm x 50mm Hex Bolts
1	Driver/Left Mounting Bracket	12	12mm x 32mm OD x 3mm Flat Washers
1	Passenger/Right Mounting Bracket	6	12mm Lock Washers
1	Driver/Left L-Bracket	6	12mm Hex Nuts
1	Passenger/Right L-Bracket	2	8-1.25mm x 25mm Hex Bolts
2	License Plate Plugs	2	8-1.25mm x 16mm Hex Bolts
4	Sensor Rubber Plugs	6	8mm x 24mmOD x2mm Flat Washers
4	Sensor Sealing Washers	4	8mm Lock Washers
4	20mm x 2mm Foam Spacers	2	8mm Hex Nuts
4	Sensor Retaining Clips	8	4mm x 10mm Button Head Bolts
1	Sensor Cover Kit	1	2.5mm Hex Wrench



**PROCEDURE:**

**REMOVE CONTENTS FROM BOX. VERIFY ALL PARTS ARE PRESENT. READ INSTRUCTIONS CAREFULLY BEFORE STARTING INSTALLATION. BUMPER IS HEAVY, ASSISTANCE IS HIGHLY RECOMMENDED TO AVOID POSSIBLE INJURY OR DAMAGE TO THE VEHICLE.**

1. Start installation by unplugging the wiring harnesses leading to the bumper. Move the wiring harness away from the bumper.
2. Remove the plastic covers around the tow hooks, **(Figure 1)**.
3. Place blocks or jack stands under the bumper to support it during bumper bolt removal. Remove the bolts attaching the factory bumper, **(Figure 2)**. **NOTE:** Keep factory mounting bolts in a safe location. Slide the bumper over the tow hooks and place on a smooth, clean surface.
4. Remove the tow hooks, **(Figures 3 & 4)**.
5. **Determine if Light will be attached, (Lights not included)**
  - For Bar Style Lights**
    - a. Select the Driver/Left L-Bracket.
    - b. Attach the L-Bracket to the back of the bumper with (1) 8mm x 25mm Hex Bolt, (2) 8mm Flat Washers, (1) 8mm Lock Washer and (1) 8mm Hex Nut, **(Figure 5)**.
    - c. Repeat previous **Step** to attach the Passenger/Right L-Bracket to the back of the bumper.

**FORTIS FRONT BUMPER**  
**2017-19 TITAN (EXCLUDES XD MODELS)**

- d. Attach Light Bar, (light not included), to the L-Brackets with (2) 8mm x 26mm Hex Bolts, (2) 8mm Lock Washers and (2) 8mm Flat Washers, **(Figure 5)**.
- e. Follow the manufacturer's instructions for wiring.

**For Cube Style Lights**

- a. Select (1) Cube Light, (light not included).
  - b. Attach the light to (1) square hole on the side of the Bumper.
  - c. Repeat previous **Steps** to attach (3) Cube Lights to the remaining (3) locations.
  - d. Follow the manufacturer's instructions for wiring.
- 6. Determine if the vehicle is equipped with parking sensors. NOTE:** Depending on tow package, it may be necessary or easier to install sensors, (if equipped), and harness before installing the Bumper.

**Models without bumper parking sensors:**

- a. Select (1) Rubber Plug.
- b. Insert the plug into sensor sleeve on the back of the bumper, **(Figure 6)**. Screws have been provided to lock the plugs into the sleeves. Use is optional.
- c. Repeat previous **Steps** to insert the remaining (3) Rubber Plugs.

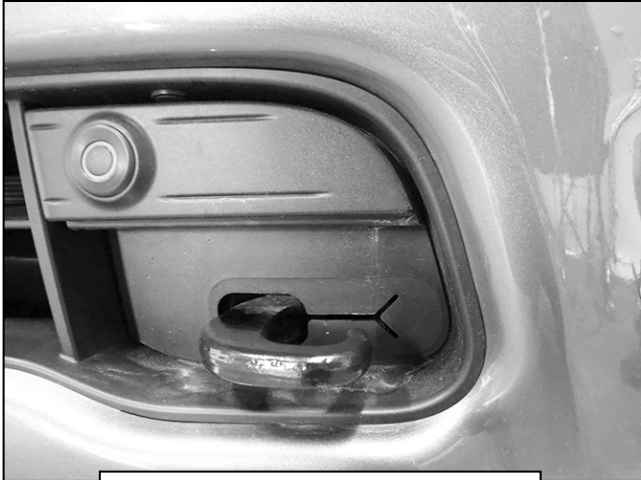
**Models with bumper mounted parking sensors:**

- a. Label sensors with location, Remove the sensors and wiring harness from bumper.
  - b. Select (1) sensor. Remove the seal from the end of the sensor. Slide the included larger Sensor Seal over front of the sensor, **(Figure 7)**.
  - c. Insert the sensor with Seal into sensor sleeve, **(Figure 8)**.
  - d. Place (1) Foam Spacer over end of the sensor. Push Sensor Retaining Clip into sensor sleeve and lock into mounting holes, **(Figure 8)**.
  - e. Repeat previous **Steps** to insert the (3) remaining sensors in correct locations in Bumper.
  - f. Attach the wiring harness to the parking sensors.
  - g. **Optional:** Secure each sensor to the socket with (2) 4mm x 10mm Button Head Screws, **(Figure 8)**. **IMPORTANT:** Sensors fit snug in sockets. The 4mm Screws are used to apply slight pressure to lock the sensors in place. Tighten both screws evenly until they touch the sensor body only. Do not overtighten screws or damage to sensors will result.
7. Select the Driver/Left Mounting Bracket. Reuse (4) factory bolts to attach the Mounting Bracket to the Driver/Left mounting location, **(Figure 9)**.
  8. With assistance, position the Bumper up to the Mounting Brackets. Temporarily support the weight of the Bumper assembly. **WARNING:** To avoid possible injury or damage to the vehicle, do not proceed until the Bumper is safely supported.
  9. Line up the holes in the back of the Bumper and the Mounting Brackets. Attach the Bumper to the Mounting Brackets with (6) 12mm Hex Bolts, (12) 12mm Flat Washers, (6) 12mm Lock Washers and (6) 12mm Hex Nuts, **(Figure 10)**. Leave hardware loose at this time.
  10. Level and adjust the Bumper and tighten all hardware.
  11. Insert the included (2) push-in plugs to attach the license plate to the Bumper, **(Figure 11)**.
  12. Reattach the wiring harness to the main harness.
  13. Do periodic inspections to the installation to make sure that all hardware is secure and tight.

**To protect your investment,** Do not use any type of polish or wax that may contain abrasives that could damage the finish. Mild soap may be used to clean the Bumper assembly.

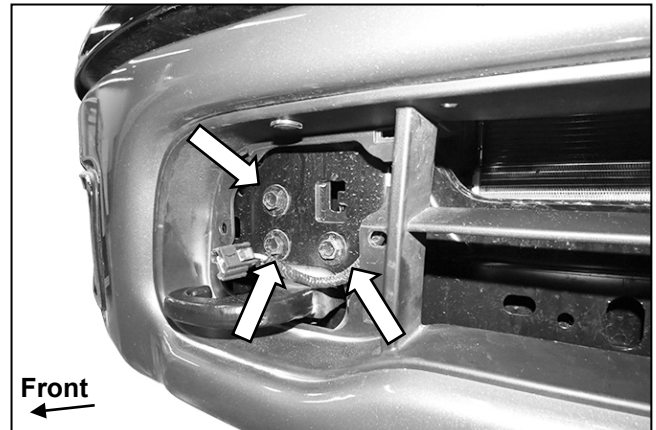
**FORTIS FRONT BUMPER  
2017-19 TITAN (EXCLUDES XD MODELS)**

**Passenger/Right side installation pictured**

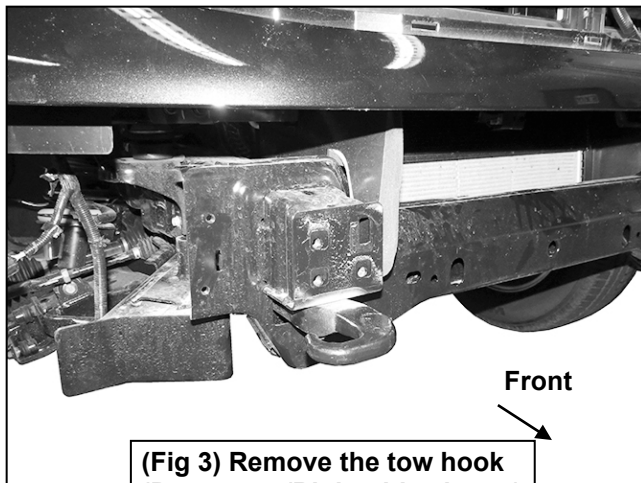


**(Fig 1) Remove the plastic cover**

**WARNING!** Do not remove bumper bolts unless the bumper is properly supported on blocks or stands or the bumper may fall.



**(Fig 2) Plastic cover removed. Remove the factory bolts from the mounting bracket to remove the bumper (Passenger/Right side shown)**



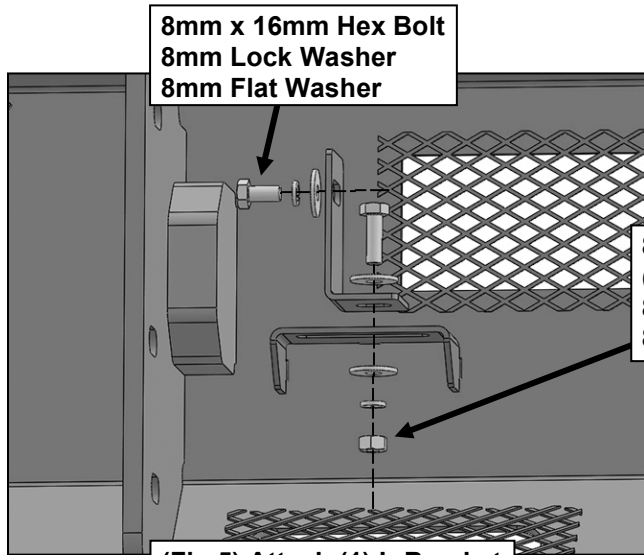
**(Fig 3) Remove the tow hook (Passenger/Right side shown)**



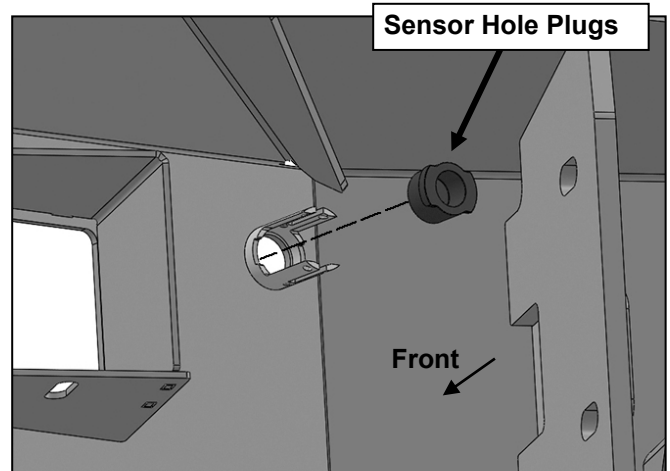
**(Fig 4) Mounting Location (Passenger/Right side shown)**

FORTIS FRONT BUMPER  
2017-19 TITAN (EXCLUDES XD MODELS)

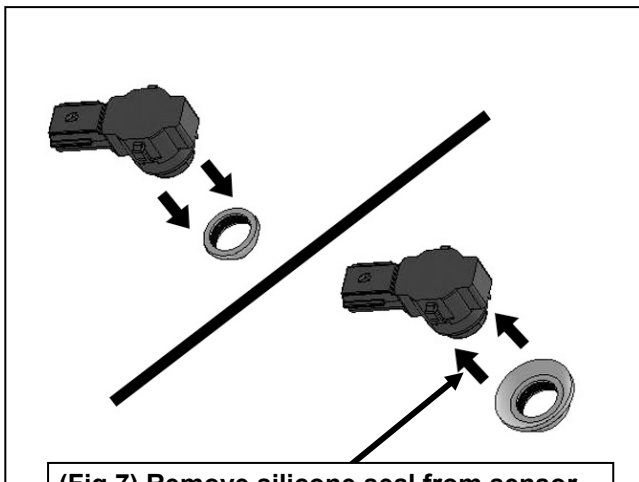
Passenger/Right side installation pictured



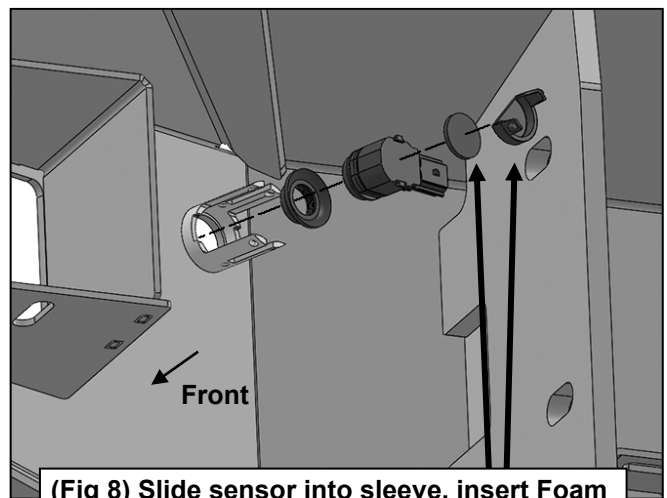
(Fig 5) Attach (1) L-Bracket to the back of the bumper



(Fig 6) Push (1) Rubber Plug into mounting sleeve. (Optional) Use 4mm Screws to lock sensor in place



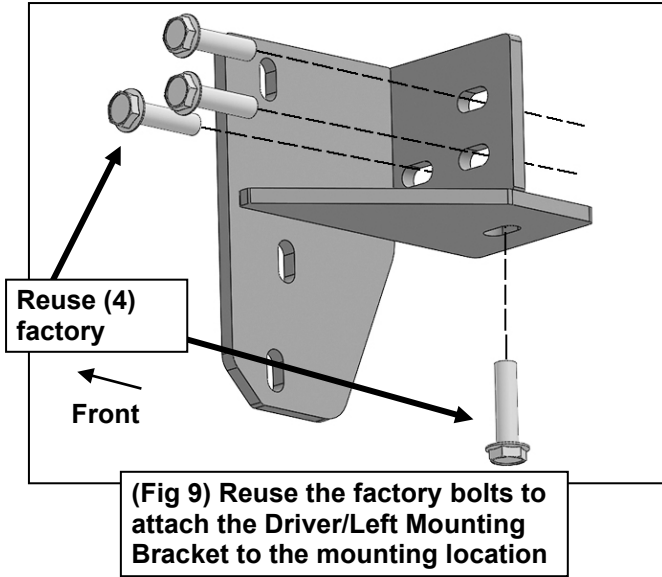
(Fig 7) Remove silicone seal from sensor. Slide large Seal over end of sensor (arrow)



(Fig 8) Slide sensor into sleeve, insert Foam Spacer and Clip to lock sensor in sleeve

**FORTIS FRONT BUMPER  
2017-19 TITAN (EXCLUDES XD MODELS)**

**Passenger/Right side installation pictured**



**WARNING!** Do not crawl under bumper unless the bumper is properly supported on blocks or stands or the bumper may fall.

