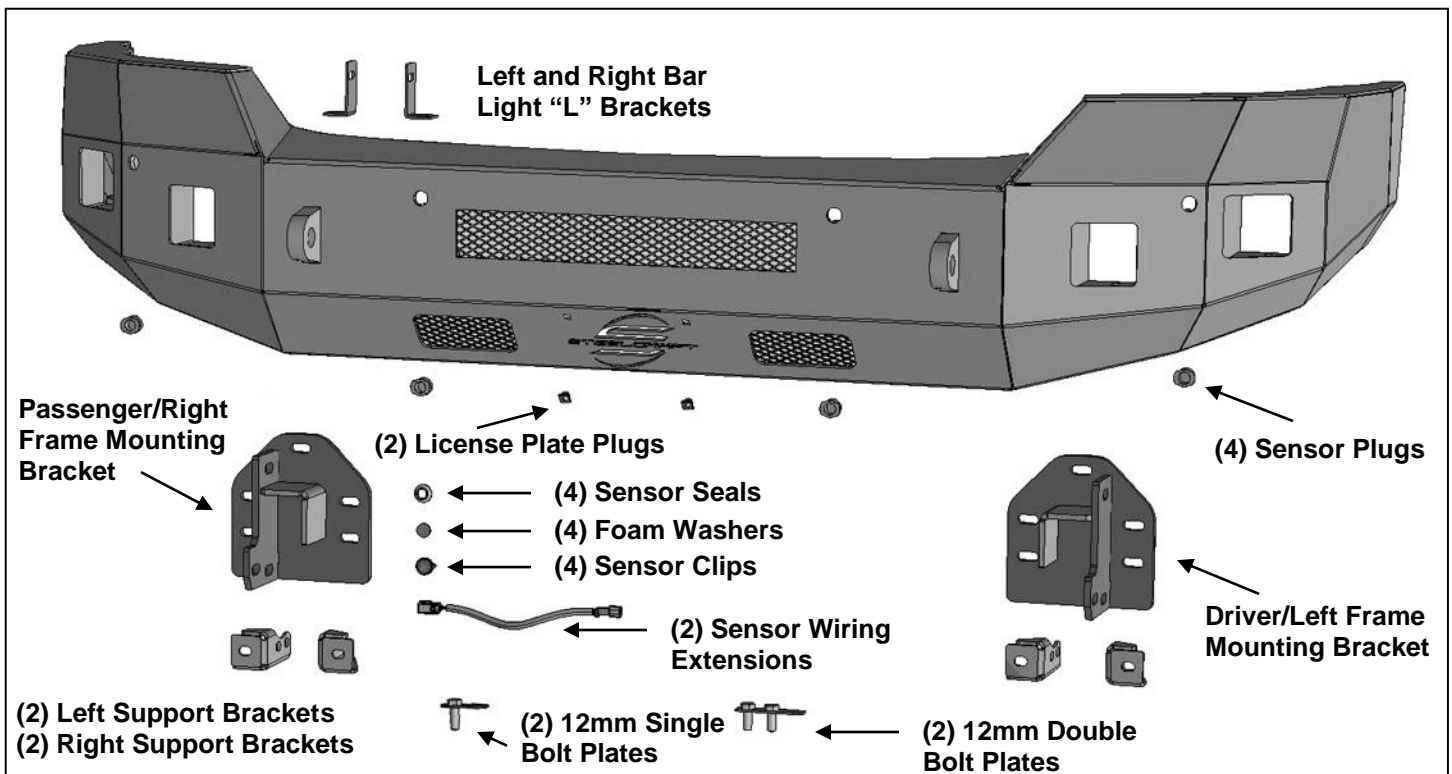


**FORTIS FRONT BUMPER
2016-18 CHEVY SILVERADO 1500**

PARTS LIST:

1	Fortis Front Bumper Assembly	2	12mm Single Bolt Plates
1	Driver/left Mounting Bracket	2	12mm Double Bolt Plates
1	Passenger/right Mounting Bracket	10	12-1.75mm x 50mm Hex Bolts
2	Left Support Brackets	26	12mm x 32mm OD x 3mm Flat Washers
2	Right Support Brackets	16	12mm Lock Washers
1	Left LED Light Bracket	16	12mm Hex Nuts
1	Right LED Light Bracket	2	8-1.25mm x 25mm Hex Bolts
2	Plastic Plugs for License Plate	2	8-1.25mm x 16mm Hex Bolts
4	Rubber Sensor Hole Plugs	6	8mm x 24mm x 2mm Flat Washer
2	GM wiring extensions	4	8mm Lock Washers
4	Sensor Retaining Ring	2	8mm Hex Nuts
4	Foam Washer 20*2	8	4mm x 10mm Socket Head Screws
4	Sensor Sealing Washer	1	2.5mm Wrench
1	Sensor Cover Kit		



PROCEDURE:

REMOVE CONTENTS FROM BOX. VERIFY ALL PARTS ARE PRESENT. READ INSTRUCTIONS CAREFULLY BEFORE STARTING INSTALLATION. BUMPER IS HEAVY, ASSISTANCE IS HIGHLY RECOMMENDED TO AVOID POSSIBLE INJURY OR DAMAGE TO THE VEHICLE.

1. Remove the license plate and bracket. On models with factory fog lights and/or bumper mounted sensors, unplug harness leading to bumper and move it away from bumper, **(Figure 1)**.
2. Next, open the hood and remove the cover between the top of the radiator and the grille, **(Figure 2)**. Remove the bolts attaching the top and bottom of the grille and carefully remove the grille.
3. Remove the outer bumper supports from each side of the frame, **(Figure 3)**.
4. Place blocks or jack stands under the front bumper to support it during mounting bolt removal. Once the bumper has been safely supported, from above, remove the factory bumper bolts attaching the bumper to the inner bumper bracket bolted to the end of the frame, **(Figure 4)**. **WARNING!** Assistance is required to hold the bumper in place during bolt removal to prevent the bumper from falling. Slide the bumper assembly with brackets off of the frame.

**FORTIS FRONT BUMPER
2016-18 CHEVY SILVERADO 1500**

5. Reinstall the grille and top cover removed in **Step 2**.
6. Remove both bumper brackets and tow hooks from the ends of the frame, (**Figures 5 & 6**).
7. Select (1) Left Facing and (1) Right Facing Support Bracket, (**Figure 7**). Starting on the driver side, attach the Right Facing Support Bracket to the inner facing side of the frame with (1) 12mm Double Bolt Plate, (2) 12mm Flat Washers, (2) 12mm Lock Washers and (2) 12mm Hex Nuts, (**Figures 7 & 8**). Next, attach (1) Left Facing Support Bracket to the outer facing side of the frame with (1) 12mm Single Bolt Plate, (1) 12mm Flat Washer, (1) 12mm Lock Washer and (1) 12mm Hex Nut, (**Figures 7 & 9**). Do not tighten hardware at this time.
8. Next, select the driver/left Mounting Bracket, (**Figure 10**). Reuse the (3) factory bumper bolts removed in **Step 6** to attach the top mounting holes on the Bracket to the threaded bumper mounts, (**Figure 10**). Attach the (2) lower holes in the Bracket to the (2) Support Brackets with (2) 12mm x 50mm Hex Bolts, (4) 12mm Flat Washers, (2) 12mm Lock Washers and (2) 12mm Hex Nuts, (**Figures 10 & 11**). Snug but do not fully tighten hardware.
9. Repeat **Steps 7 & 8** to attach the passenger/right Support and Mounting Brackets.
10. Determine if the vehicle is equipped with sensors in the front bumper.

Models without bumper sensors:

- a. Select the included (4) Rubber Plugs.
- b. From behind bumper, push plugs into sensor mounting holes, (**Figure 12**).

Models with bumper mounted sensors:

- a. Unplug and remove sensors and wiring harness from factory bumper. Test fit sensor in sleeve. It may be necessary to cut or grind off the tabs on the sides of the sensor to fit into the sleeve.
 - b. Remove the silicone seal from the end of the sensor. Slide the included larger Sensor Seal over front of sensor, (**Figure 13**).
 - c. Insert sensor with Seal into sensor mount, (**Figure 14**).
 - d. Place Foam Washer over end of sensor. Push Sensor Retaining Clip into sensor mount and lock into mounting holes, (**Figure 14**).
 - e. Repeat previous Steps to install remaining sensors.
 - f. **Optional:** Secure each sensor to the socket with (2) 4mm x 10mm Button Head Screws, (**Figure 12**). **IMPORTANT:** Sensors fit snug in sockets. The 4mm Screws are used to apply slight pressure to lock the sensors in place. Tighten both screws evenly until they touch the sensor body only. Do not overtighten screws or damage to sensors will result.
 - g. Install wiring harness for sensors. **IMPORTANT:** (2) Harness Extensions have been included to extend the ends of the factory harness to the sensors. Use if necessary.
11. **Center LED light installation** (sold separately).
- a. Select the L/R "L" Brackets, (**Figure 15**). Attach the Brackets to the top of the (2) mounting tabs welded onto the back of the bumper with the included 8mm x 25mm Hex Bolts, (4) 8mm Flat Washers, (2) 8mm Lock Washers and (2) 8mm Hex Nuts. Leave loose at this time.
 - b. Attach the LED light assembly to the "L" Brackets with the included (2) 8mm x 16mm Hex Bolts, (2) 8mm Lock Washers and (2) 8mm Flat Washers, (**Figure 15**). Do not fully tighten hardware at this time. **IMPORTANT:** "L" Brackets are designed for 8mm light mounting hardware only. Modify "L" Brackets if necessary or use brackets supplied by your light manufacturer if possible to install hardware larger than 8mm.
 - c. Follow light manufacturer's instructions to properly wire the light.
12. With assistance, carefully position the Bumper Assembly up to the Mounting Brackets. Temporarily support the weight of the Bumper. **WARNING:** To avoid possible injury or damage to the vehicle, do not proceed until the bumper is fully and safely supported. Models with winch, check for clearance before fully installing Bumper assembly.
13. Line up the (3) holes in the driver/left side of the Bumper with the (3) holes in the Mounting Bracket. Attach the mounting plate on the back of the Bumper to the Bracket with the included (3) 12mm x 50mm Hex Bolts, (6) 12mm Flat Washers, (3) 12mm Lock Washers and (3) 12mm Hex Nuts, (**Figures 16 & 17**). Do not fully tighten hardware at this time. Repeat this Step to attach the passenger/right side of the Bumper to the Bracket.
14. Level and adjust the bumper and fully tighten all 12mm hardware to 65-70ft-lbs.
15. Reattach the bumper wiring harness to vehicle wiring harness if equipped.

**FORTIS FRONT BUMPER
2016-18 CHEVY SILVERADO 1500**

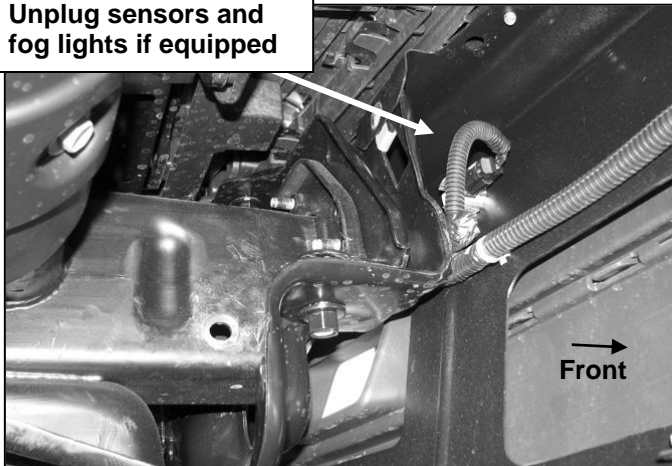
16. Use the included (2) push-in Plastic Nuts to attach the front license plate, (if required), to the (2) holes in the front Bumper, **(Figure 18)**.

17. Do periodic inspections to the installation to make sure that all hardware is secure and tight.

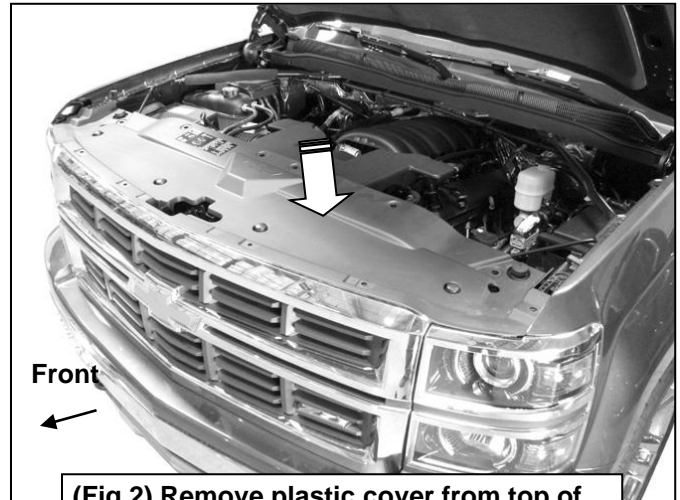
To protect your investment, wax this product after installing. Regular waxing is recommended to add a protective layer over the finish. Do not use any type of polish or wax that may contain abrasives that could damage the finish. Mild soap may be used to clean the Fortis Front Bumper assembly.

Driver/left Installation Pictured

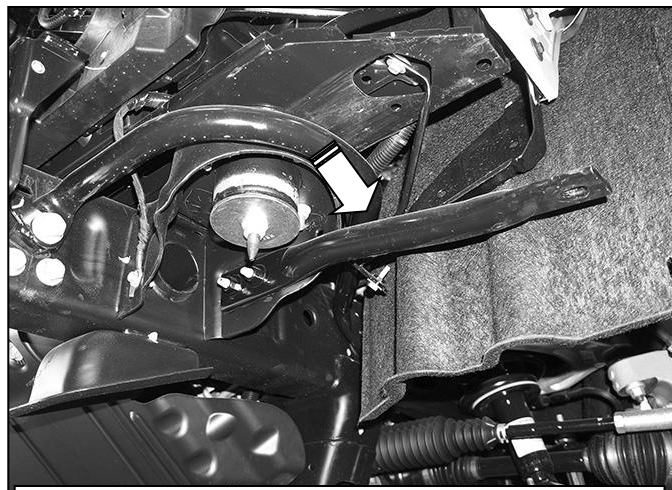
Unplug sensors and fog lights if equipped



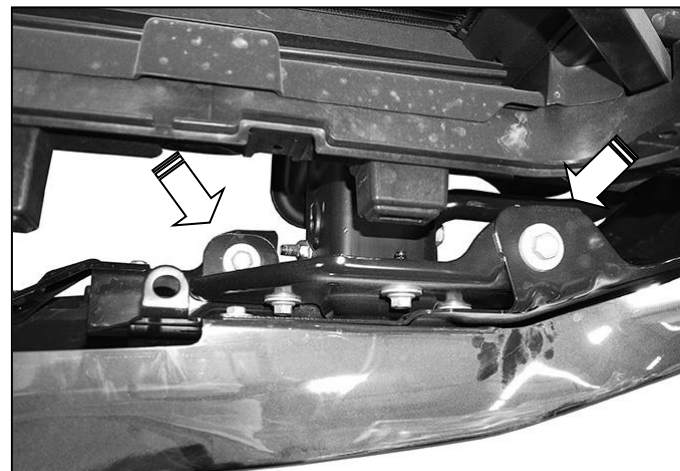
(Fig 1) Unplug sensors, fog lights and move wiring harness away from bumper before removal



(Fig 2) Remove plastic cover from top of radiator (arrow). Temporarily remove grille



(Fig 3) Remove bumper support brackets (arrow)



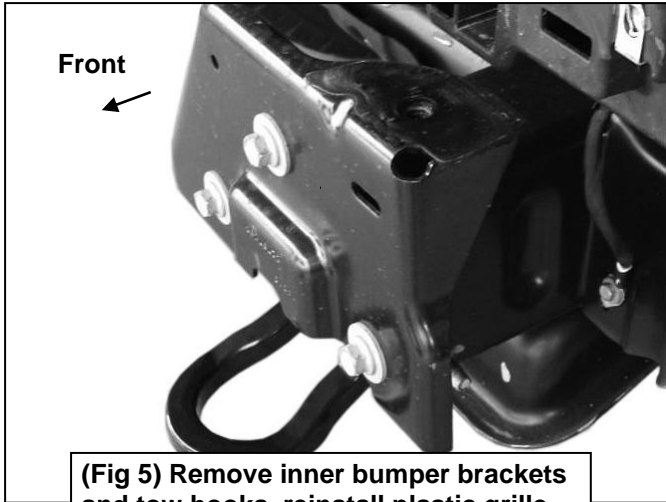
(Fig 4) Remove bumper bolts (pictured from above)

WARNING! Do not crawl under bumper or remove bumper bolts unless the bumper is properly supported on blocks or stands or the bumper may fall.

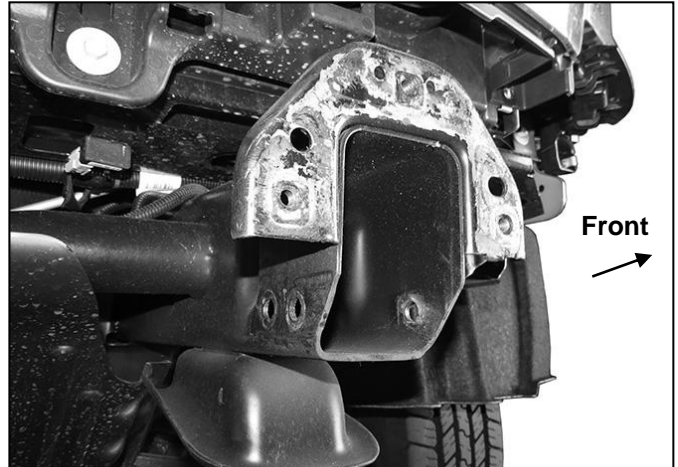
**FORTIS FRONT BUMPER
2016-18 CHEVY SILVERADO 1500**

Driver/left Side Installation Pictured

WARNING! Do not crawl under bumper or remove bumper bolts unless the bumper is properly supported on blocks or stands or the bumper may fall.

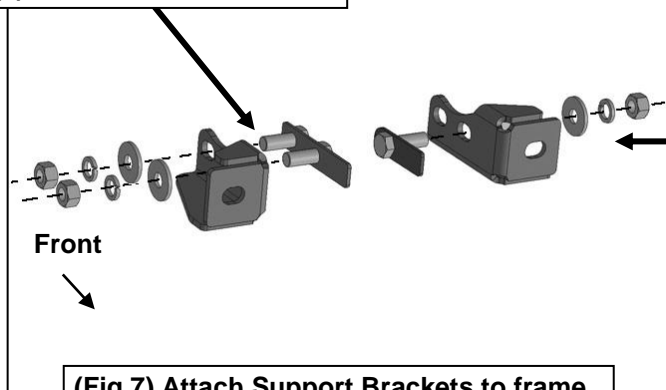


(Fig 5) Remove inner bumper brackets and tow hooks, reinstall plastic grille



(Fig 6) Remove bumper brackets and tow hooks

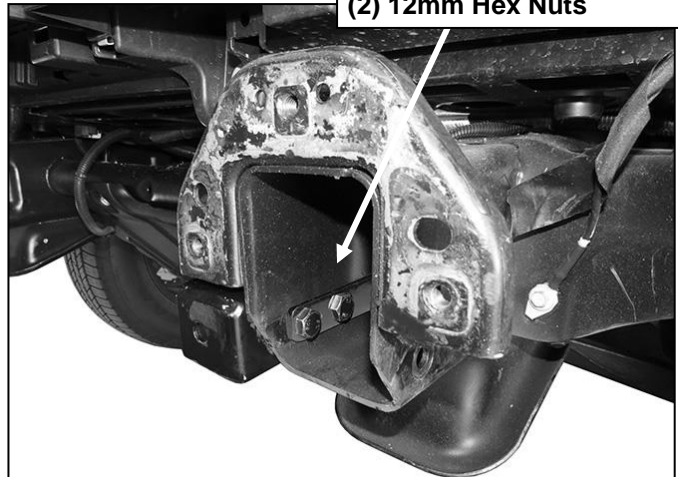
- 12mm Double Bolt Plate
- (2) 12mm Flat Washers
- (2) 12mm Lock Washers
- (2) 12mm Hex Nuts



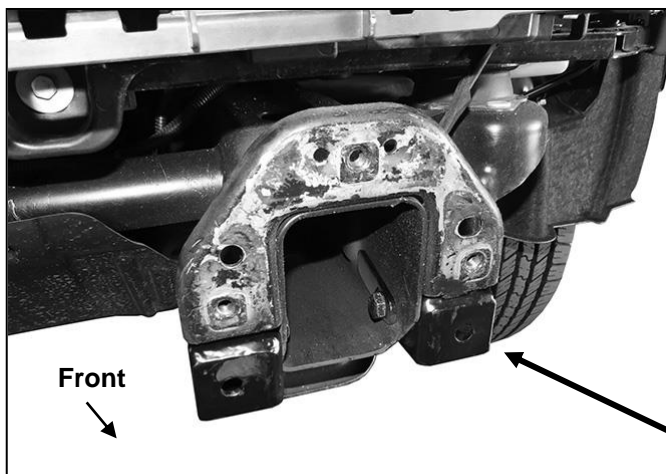
(Fig 7) Attach Support Brackets to frame

- 12mm Single Bolt Plate
- 12mm Flat Washer
- 12mm Lock Washer
- 12mm Hex Nut

- 12mm Double Bolt Plate
- (2) 12mm Flat Washers
- (2) 12mm Lock Washers
- (2) 12mm Hex Nuts



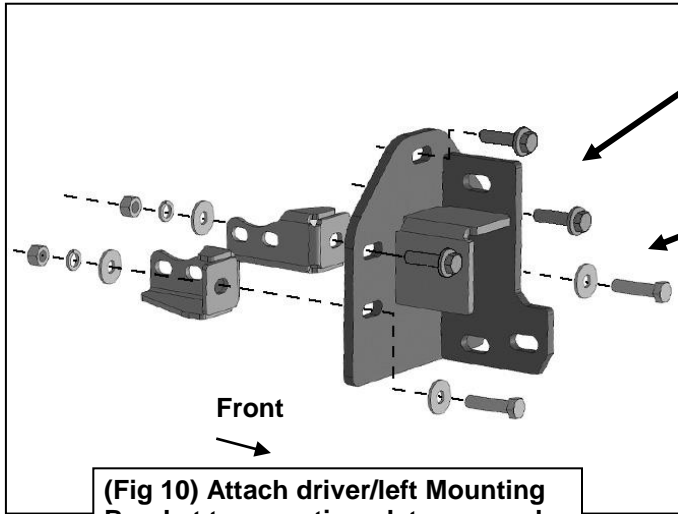
(Fig 8) Attach Support Brackets to frame using factory holes for tow hooks. Driver side pictured



(Fig 9) Attach Support Brackets to frame using factory holes for tow hooks. Driver side pictured

- 12mm Single Bolt Plate
- 12mm Flat Washer
- 12mm Lock Washer
- 12mm Hex Nut

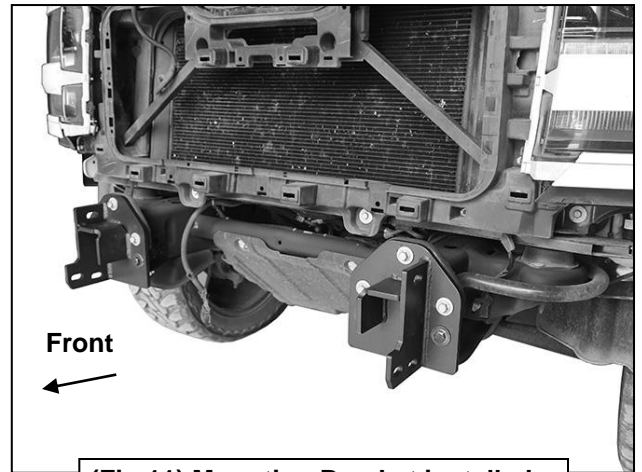
Driver/left Side Installation Pictured



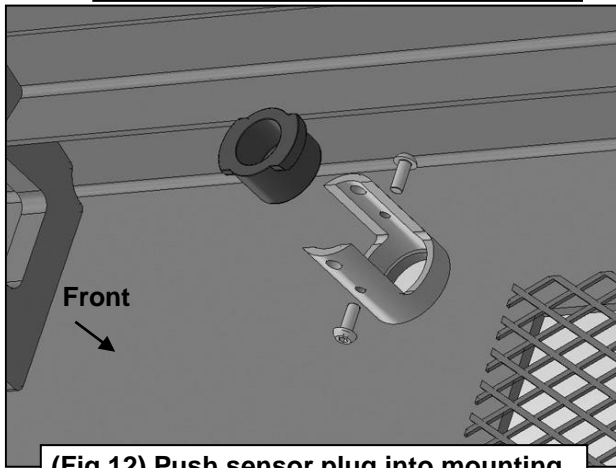
Reuse (3) factory bumper bolts to attach Bracket to factory frame bracket

- (2) 12mm x 50mm Hex Bolts
- (4) 12mm Flat Washers
- (2) 12mm Lock Washers
- (2) 12mm Hex Nuts

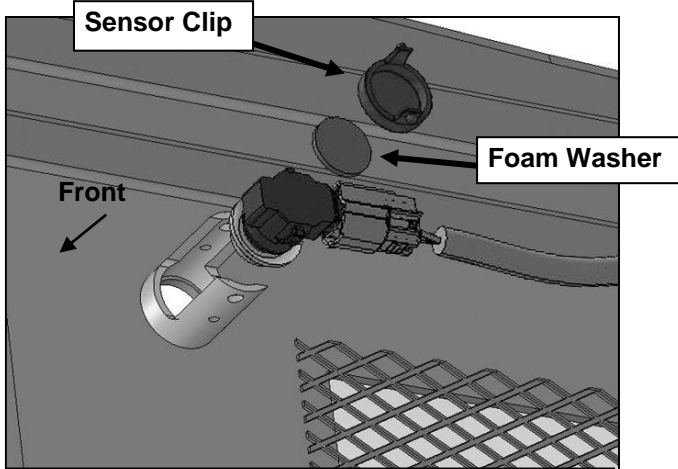
(Fig 10) Attach driver/left Mounting Bracket to mounting plates on end of frame and L/R Support Brackets



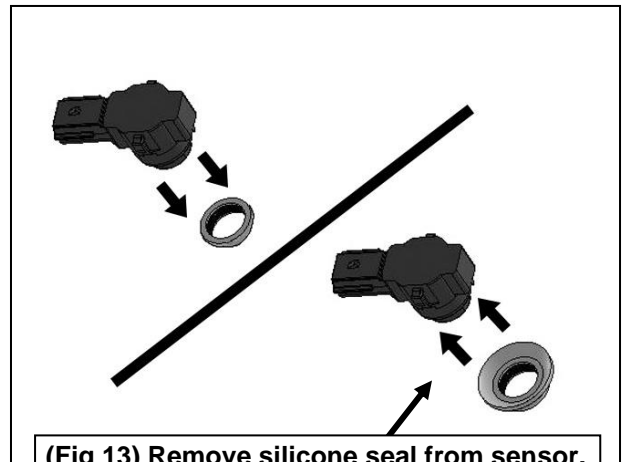
(Fig 11) Mounting Bracket installed



(Fig 12) Push sensor plug into mounting sleeve. Use of 4mm Screws is optional



(Fig 14) Slide sensor into sleeve, insert Foam Washer and Clip to lock sensor in sleeve



(Fig 13) Remove silicone seal from sensor. Slide large Seal over end of sensor (arrow)

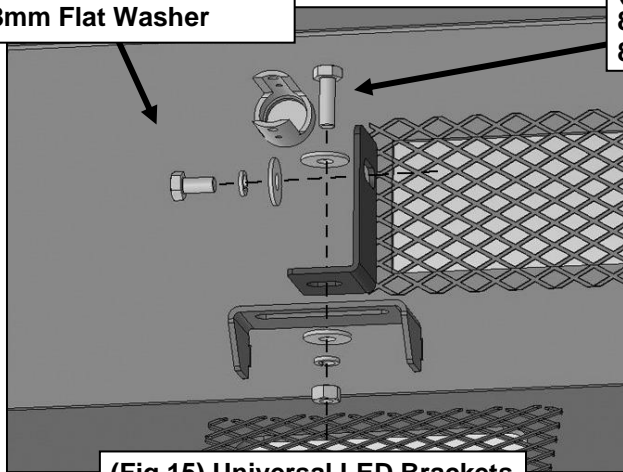
IMPORTANT: Sensors fit snug in sockets. The 4mm Screws are only used to apply slight pressure to lock the sensors in place. Tighten both screws evenly until they touch the sensor body only. Do not overtighten screws or damage to sensors will result.

FORTIS FRONT BUMPER
2016-18 CHEVY SILVERADO 1500

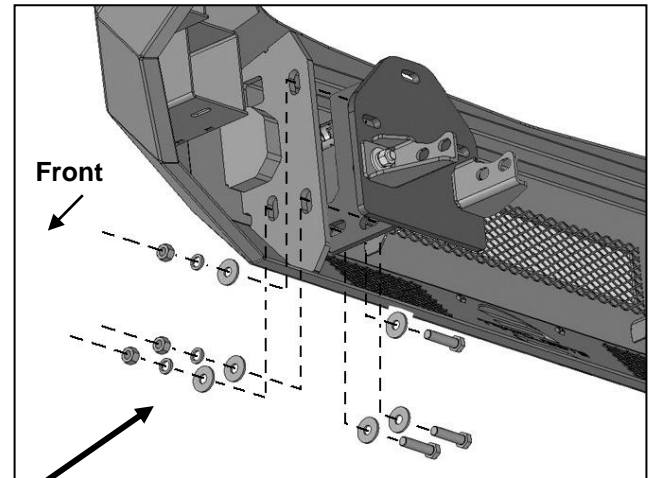
Driver/left Side Installation Pictured

8mm x 16mm Hex Bolt
8mm Lock Washer
8mm Flat Washer

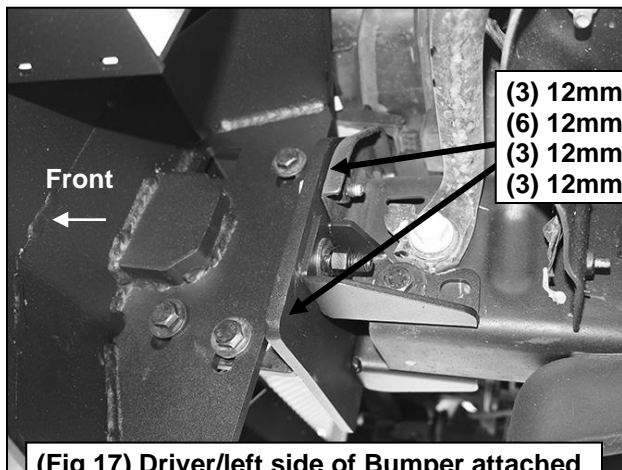
8mm x 25mm Hex Bolt
(2) 8mm Flat Washers
8mm Lock Washer
8mm Hex Nut



(Fig 15) Universal LED Brackets

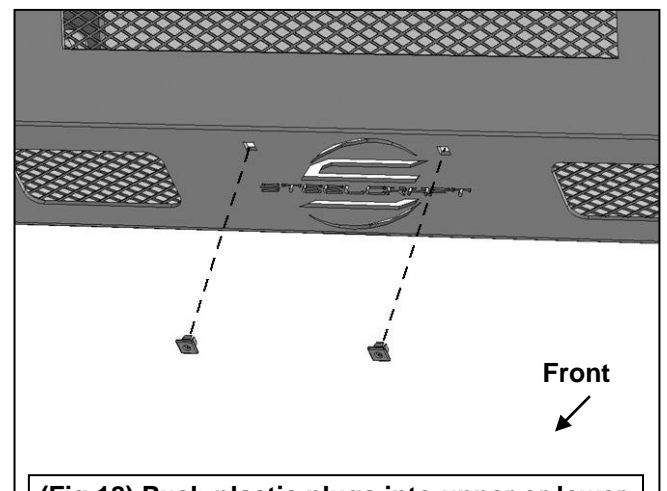


(Fig 16) Attach driver/left side of Bumper to Bracket



(3) 12mm x 50mm Hex Bolts
(6) 12mm Flat Washers
(3) 12mm Lock Washers
(3) 12mm Hex Nuts

(Fig 17) Driver/left side of Bumper attached to Bracket (pictured from behind Bumper)



(Fig 18) Push plastic plugs into upper or lower holes in Bumper for license plate if required



Complete Installation