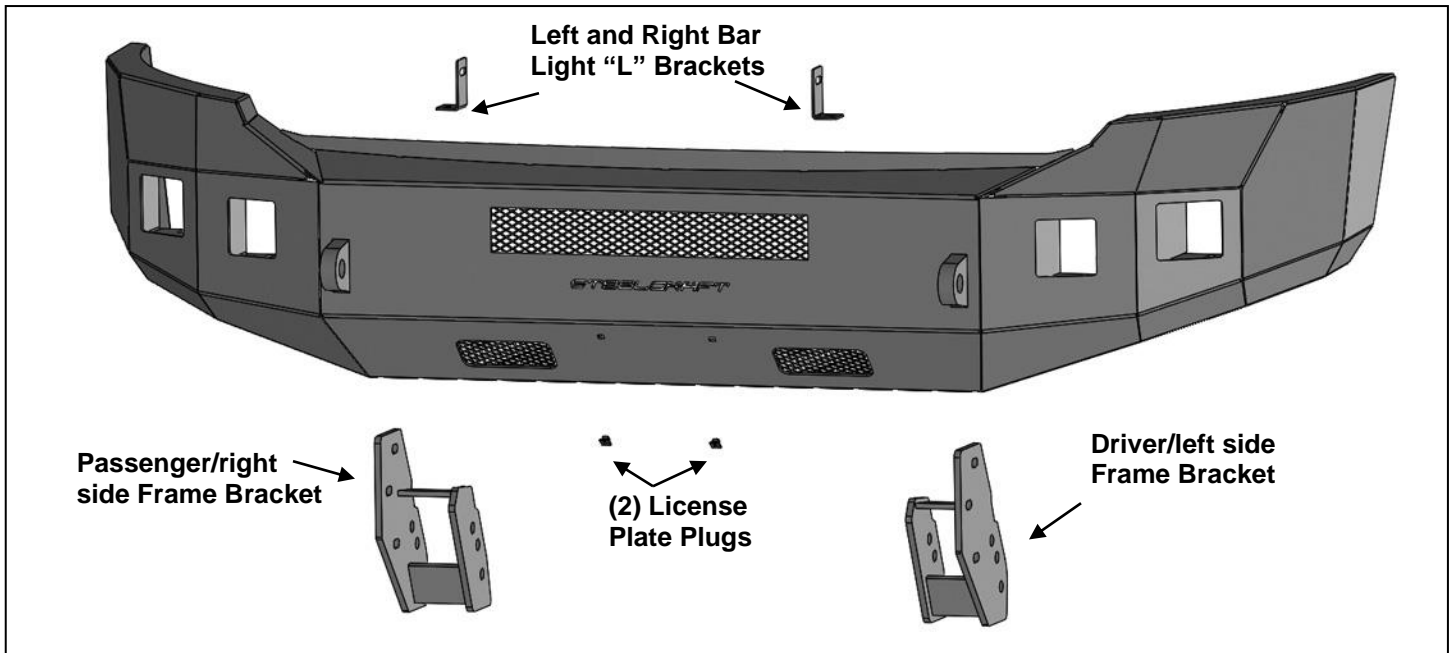


**FORTIS FRONT BUMPER**  
**11-14 CHEVY SILVERADO 25-3500**

**PARTS LIST:**

1	Fortis Front Bumper	12	12mm Lock Washers
1	Driver/left side Frame Mounting Bracket	24	12mm x 37mm x 3mm Flat Washers
1	Passenger/right side Frame Mounting Bracket	12	12mm Hex Nuts
1	Driver/left side LED Light "L" Bracket	2	8mm x 25mm Hex Bolts
1	Passenger/right side LED Light "L" Bracket	2	8mm x 16mm Hex Bolts
2	License Plate Plugs	4	8mm Lock Washers
6	12mm x 140mm Hex Bolts	6	8mm x 24mm x 2mm Flat Washers
6	12mm x 50mm Hex Bolts	2	8mm Hex Nuts



**PROCEDURE:**

**REMOVE CONTENTS FROM BOX. VERIFY ALL PARTS ARE PRESENT. READ INSTRUCTIONS CAREFULLY BEFORE STARTING INSTALLATION. BUMPER IS HEAVY, ASSISTANCE IS HIGHLY RECOMMENDED TO AVOID POSSIBLE INJURY OR DAMAGE TO THE VEHICLE.**

1. Remove the license plate and bracket. On models with factory fog lights, remove the plastic covers from the corners on the bottom of the bumper. Unplug both fog lights. Fog Lights cannot be reinstalled.
2. Remove the rubber air deflector from the back of the bumper, if equipped, **(Figure 1)**.
3. Remove the outer bumper supports from each side of the frame.
4. Open the hood and remove the plastic cover on top of the radiator and the grille. Also temporarily remove the plastic grille, **(Figure 2)**.
5. Place blocks or jack stands under the front bumper to support it during mounting bolt removal. Once the bumper has been supported, loosen but do not remove the (2) top bumper bolts attaching the inner bumper bracket to the frame bracket, **(Figure 2)**. With assistance, remove the (2) bumper bolts and slide the bumper assembly off of the brackets. **WARNING!** Assistance is required to hold the bumper in place during bolt removal to prevent the bumper from falling.
6. Remove the plastic brackets from the bottom of both headlights, **(Figure 3)**.
7. Remove the factory bumper brackets and double bolt plates from the ends of frame, **(Figures 3 & 4)**. Remove both tow hooks. **NOTE:** Tow hooks cannot be reinstalled.
8. Locate the driver/left side frame mounting location, **(Figure 5)**. Select the Driver/left side Frame Bracket, **(Figure 6)**. Attach the Bracket to the frame using (3) 12mm x 140mm Hex Bolts, (6) 12mm Flat Washers, (3) 12mm Lock Washers and (3) 12mm Hex Nuts, **(Figures 6 & 7)**. Do not tighten hardware.

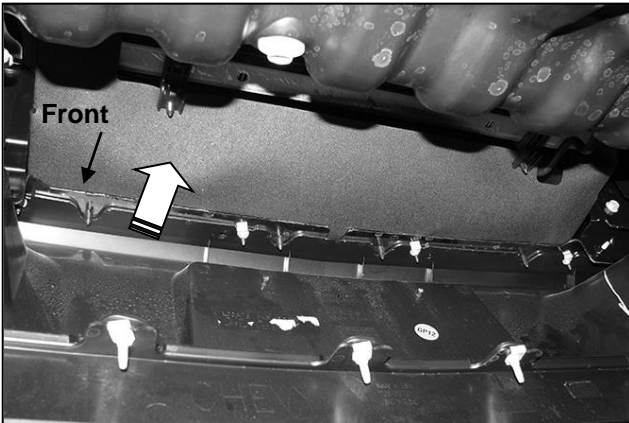
**FORTIS FRONT BUMPER**  
**11-14 CHEVY SILVERADO 25-3500**

9. Repeat **Step 8** to attach the passenger/right side Frame Bracket to the other side of the frame, (**Figure 7**). Leave hardware loose at this time.
10. **Optional Center LED light installation**, (sold separately).
  - a. Select the L/R “L” Brackets, (**Figure 8**). **NOTE**: “L” Brackets are offset for universal fitment for most LED bar style lights. Attach the LED light assembly to the “L” Brackets with the included (2) 8mm x 16mm Hex Bolts, (2) 8mm Lock Washers and (2) 8mm Flat Washers, (**Figure 8**). Do not fully tighten hardware at this time. **NOTE**: “L” Brackets may require modification for hardware larger than 8mm or use brackets supplied with light if possible.
  - b. Attach the light and brackets to the top of the (2) tabs on the back of the Bumper with the included 8mm x 25mm Hex Bolts, (4) 8mm Flat Washers, (2) 8mm Lock Washers and (2) 8mm Hex Nuts, (**Figure 8**). Adjust light position and tighten hardware.
  - c. Follow light manufacturer’s instructions to wire the light to the vehicle’s electrical system once Bumper has been fully installed.
11. **LED light installation at ends of bumper** (sold separately).
  - a. Insert light into opening and up to mounting slots. Check for clearance between front and back of light.
  - b. Follow the light manufacturer’s instructions to attach each light to slot in the top of the light opening. **NOTE**: On two light systems, attach the flood light to the outer slot and the spot light to the inner slot.
  - c. Repeat the above steps for passenger side light installation.
  - d. Follow light manufacturer’s instructions to adjust and properly wire the light to the vehicle electrical system.
12. With assistance, position the Bumper Assembly up to the outsides of the Frame Brackets. Temporarily support the weight of the Bumper. **WARNING**: To avoid possible injury or damage to the vehicle, do not proceed until the Bumper is fully and safely supported.
13. Line up the (3) slots in the driver/left side mounting plate of the Bumper to the (3) slots in the Frame Bracket. Attach the Bumper to the Bracket with the included (6) 12mm x 50mm Hex Bolts, (12) 12mm Flat Washers, (6) 12mm Lock Washers and (6) 12mm Hex Nuts, (**Figures 9 & 10**). Do not fully tighten hardware at this time.
14. Insert the provided (2) Plastic Plugs into the square holes in the front of the Bumper, (**Figure 11**). Reuse the factory screws to attach the license plate to the plastic plugs.
15. Level and adjust the bumper and fully tighten all hardware.
16. Do periodic inspections to the installation to make sure that all hardware is secure and tight.

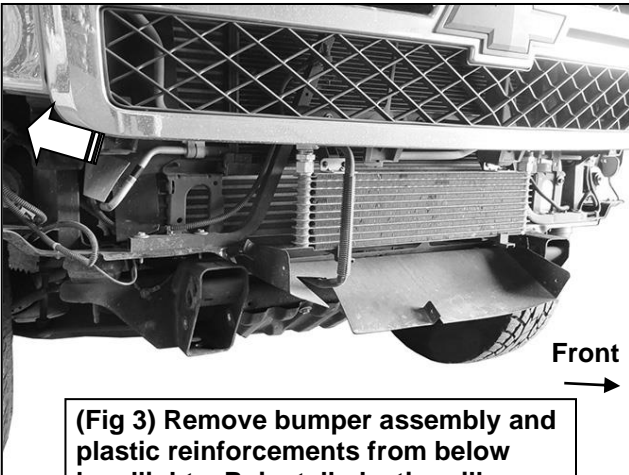
**To protect your investment**, wax this product after installing. Regular waxing is recommended to add a protective layer over the finish. Do not use any type of polish or wax that may contain abrasives that could damage the finish. Mild soap may be used to clean the Front Bumper.

**FORTIS FRONT BUMPER  
11-14 CHEVY SILVERADO 25-3500**

**Driver Side Installation Pictured**



**(Fig 1) Remove rubber deflector between back of bumper and bottom of radiator. Pictured from below-under front bumper.**

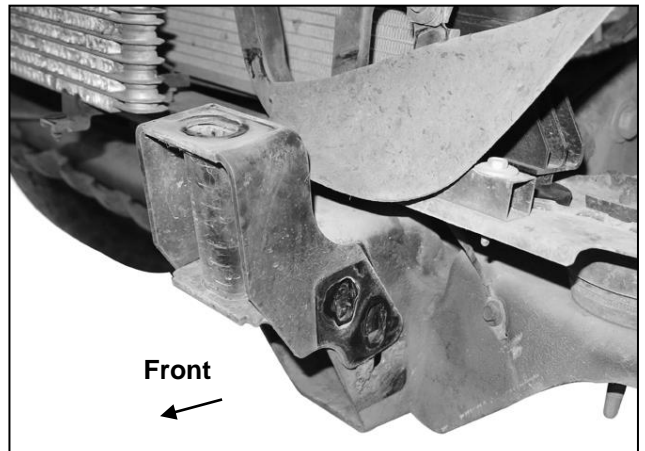


**(Fig 3) Remove bumper assembly and plastic reinforcements from below headlights. Reinstall plastic grille.**

**Remove bumper bolts from top of bumper brackets (arrows) to remove bumper**



**(Fig 2) Remove grille to access bumper bolts. Bumper pictured without lower air dam for instruction purposes-do not remove lower air dam for installation.**

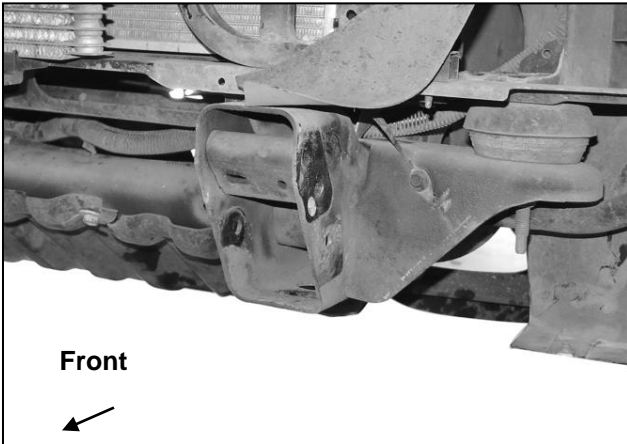


**(Fig 4) Remove bumper brackets and tow hooks.**

**FORTIS FRONT BUMPER  
11-14 CHEVY SILVERADO 25-3500**

**Driver Side Installation Pictured**

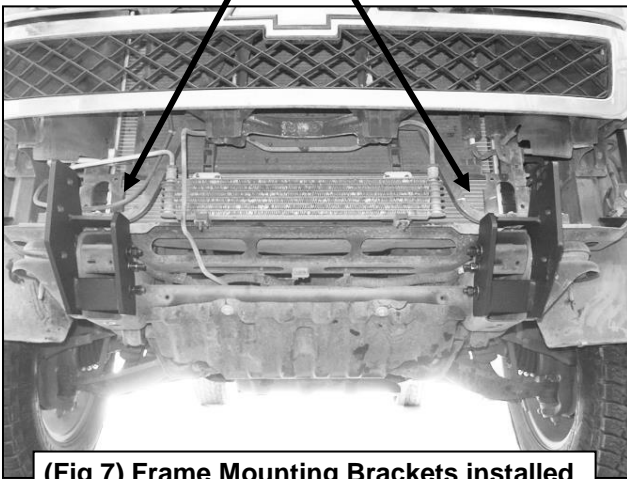
**WARNING!** Do not remove bumper bolts unless the bumper is properly supported on blocks or stands or the bumper may fall.



Front

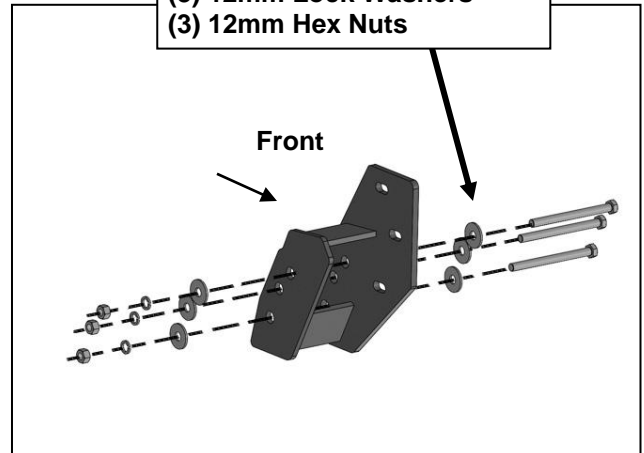
(Fig 5) Driver/left side Bracket mounting location

- (3) 12mm x 140mm Hex Bolts
- (6) 12mm Flat Washers
- (3) 12mm Lock Washers
- (3) 12mm Hex Nuts



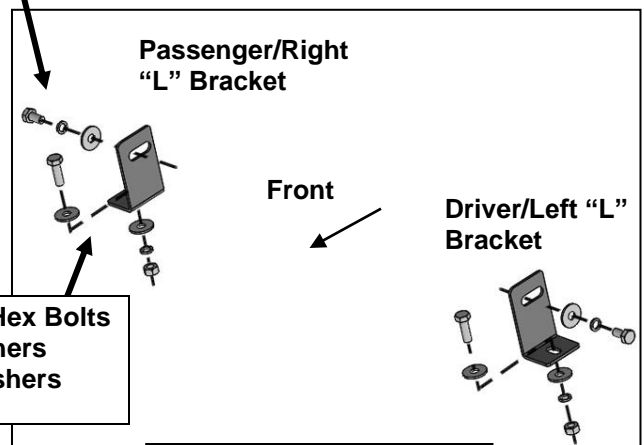
(Fig 7) Frame Mounting Brackets installed

- (3) 12mm x 140mm Hex Bolts
- (6) 12mm Flat Washers
- (3) 12mm Lock Washers
- (3) 12mm Hex Nuts



(Fig 6) Driver/left side Mounting Bracket

- (2) 8mm x 16mm Hex Bolts
- (2) 8mm Lock Washers
- (2) 8mm Flat Washers

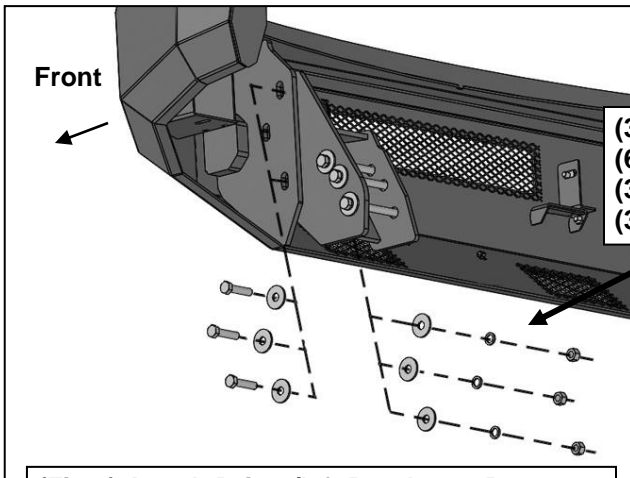


- (2) 8mm x 25mm Hex Bolts
- (4) 8mm Flat Washers
- (2) 8mm Lock Washers
- (2) 8mm Hex Nuts

(Fig 8) Example of center LED light installation

**FORTIS FRONT BUMPER  
11-14 CHEVY SILVERADO 25-3500**

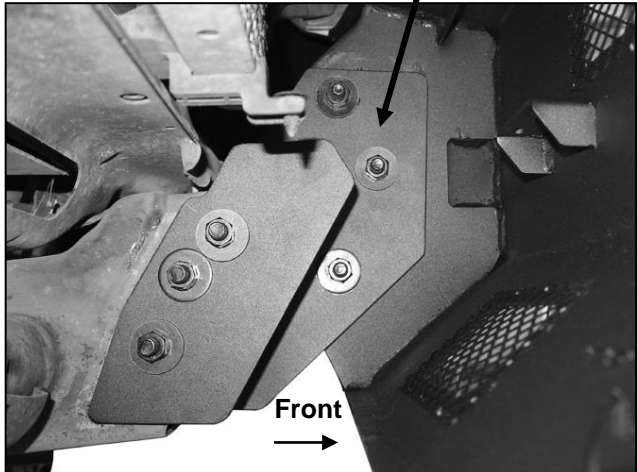
**Driver side installation pictured**



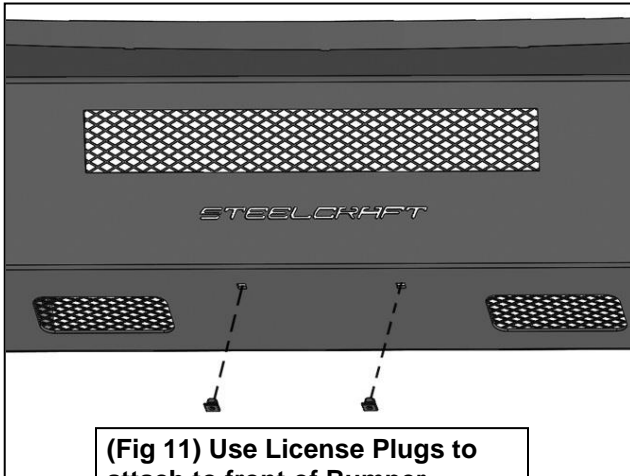
- (3) 12mm x 50mm Hex Bolts
- (6) 12mm Flat Washers
- (3) 12mm Lock Washers
- (3) 12mm Hex Nuts

- (3) 12mm x 50mm Hex Bolts
- (6) 12mm Flat Washers
- (3) 12mm Lock Washers
- (3) 12mm Hex Nuts

**(Fig 9) Attach Driver/left Bracket to Bumper**



**(Fig 10) Attach Bumper assembly to Frame Brackets**



**(Fig 11) Use License Plugs to attach to front of Bumper**



**Complete Installation**

View other grille guards and bull bars made by Steelcraft on our website.