



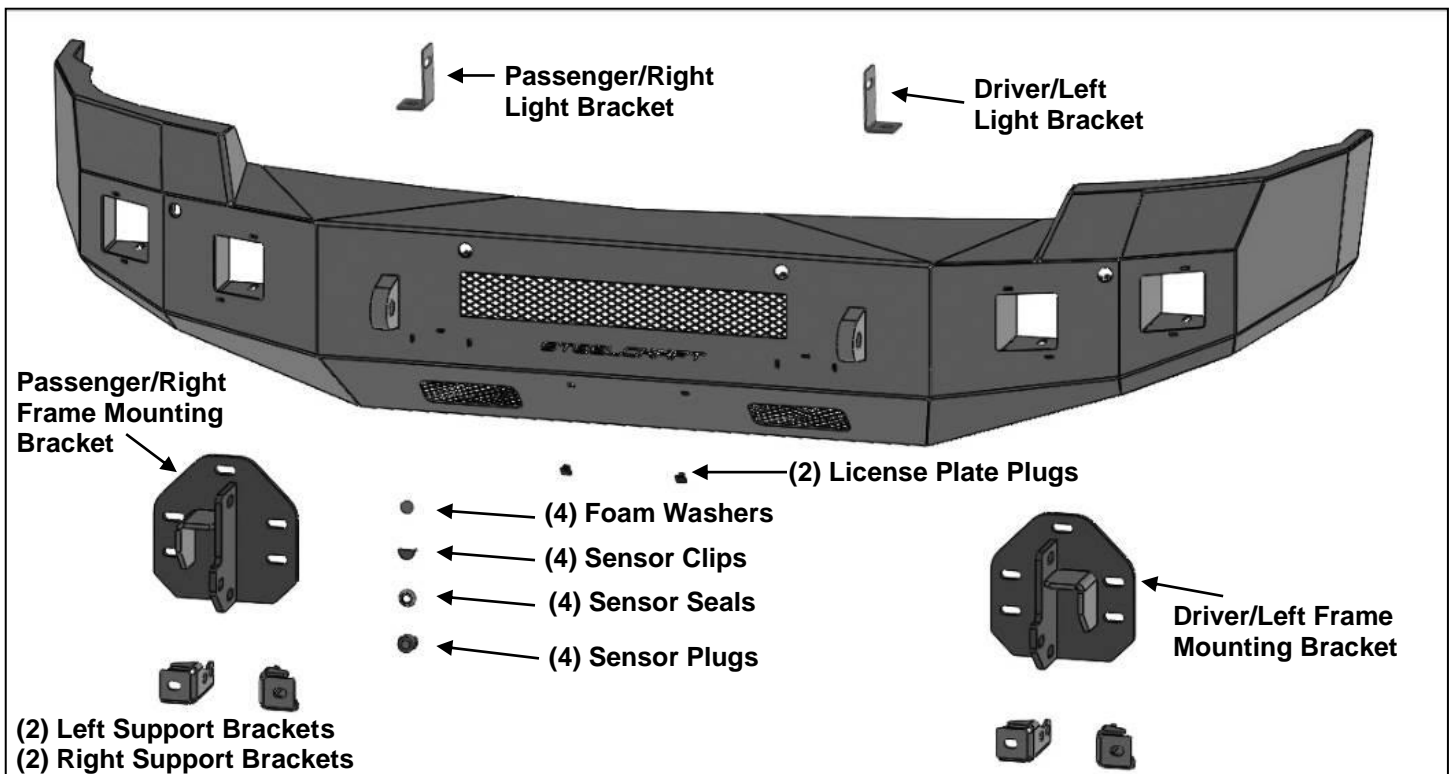
# **INSTALLATION INSTRUCTIONS**

**FORTIS FRONT BUMPER  
2014-15 CHEVY SILVERADO 1500**

**FORTIS FRONT BUMPER  
2014-15 CHEVY SILVERADO 1500**

**PARTS LIST:**

1	Fortis Front Bumper	2	12mm Single Bolt Plates
1	Driver/Left Mounting Bracket	2	12mm Double Bolt Plates
1	Passenger/Right Mounting Bracket	10	12-1.75mm x 50mm Hex Bolts
2	Driver/Left Support Brackets	26	12mm x 32mm x 3mm Flat Washers
2	Passenger/Right Support Brackets	16	12mm Lock Washers
1	Driver/Left Light Bracket	16	12mm Hex Nuts
1	Passenger/Right Light Bracket	2	8-1.25mm x 25mm Hex Bolts
2	Plastic Plugs for License Plate	2	8-1.25mm x 16mm Hex Bolts
4	Rubber Sensor Hole Plugs	6	8mm x 24mm x 2mm Flat Washer
4	Sensor Retaining Clips	4	8mm Lock Washers
4	Foam Washer 20mm x 2mm	2	8mm Hex Nuts
4	Sensor Sealing Washer	8	4mm x 10mm Socket Head Screws
1	Sensor Cover Kit	1	2.5mm Wrench
4	12mm Plastic Retainers		



**PROCEDURE:**

**REMOVE CONTENTS FROM BOX. VERIFY ALL PARTS ARE PRESENT. READ INSTRUCTIONS CAREFULLY BEFORE STARTING INSTALLATION. BUMPER IS HEAVY, ASSISTANCE IS HIGHLY RECOMMENDED TO AVOID POSSIBLE INJURY OR DAMAGE TO THE VEHICLE.**

1. Remove the license plate and bracket. On models with factory fog lights and/or bumper mounted sensors, unplug harness leading to bumper and move it away from bumper, **(Figure 1)**.
2. Next, open the hood and remove the cover between the top of the radiator and the grille, **(Figure 2)**. Remove the bolts attaching the top and bottom of the grille and carefully remove the grille.
3. Remove the outer bumper supports from each side of the frame, **(Figure 3)**.
4. Place blocks or jack stands under the front bumper to support it during mounting bolt removal. Once the bumper has been safely supported, from above, remove the factory bumper bolts attaching the bumper to the inner bumper bracket bolted to the end of the frame, **(Figure 4)**. **WARNING!** Assistance is required to hold the bumper in place during bolt removal to prevent the bumper from falling. Slide the bumper assembly with brackets off of the frame.

**FORTIS FRONT BUMPER  
2014-15 CHEVY SILVERADO 1500**

5. Reinstall the grille and top cover removed in **Step 2**.
6. Remove both bumper brackets and tow hooks from the ends of the frame, (**Figures 5 & 6**).
7. Select (1) Left Facing and (1) Right Facing Support Bracket, (**Figure 7**). Starting on the Driver/Left side, attach the Right Facing Support Bracket to the inner facing side of the frame with (1) 12mm Double Bolt Plate, (1) 12mm Plastic Retainer, (2) 12mm Flat Washers, (2) 12mm Lock Washers and (2) 12mm Hex Nuts, (**Figures 7 & 8**). Next, attach (1) Left Facing Support Bracket to the outer facing side of the frame with (1) 12mm Single Bolt Plate, (1) 12mm Plastic Retainer, (1) 12mm Flat Washer, (1) 12mm Lock Washer and (1) 12mm Hex Nut, (**Figures 7 & 9**). Do not tighten hardware at this time.
8. Next, select the Driver/Left Mounting Bracket, (**Figure 10**). Reuse the (3) factory bumper bolts removed in **Step 6** to attach the top mounting holes on the Bracket to the threaded bumper mounts, (**Figure 10**). Attach the (2) lower holes in the Bracket to the (2) Support Brackets with (2) 12mm x 50mm Hex Bolts, (4) 12mm Flat Washers, (2) 12mm Lock Washers and (2) 12mm Hex Nuts, (**Figures 10 & 11**). Snug but do not fully tighten hardware.
9. Repeat **Steps 7 & 8** to attach the Passenger/Right Support and Mounting Brackets.
10. Determine if the vehicle is equipped with sensors in the front bumper.

**Models without bumper sensors:**

- a. Select the included (4) Rubber Plugs.
- b. From behind bumper, push plugs into sensor mounting holes, (**Figure 12**).

**Models with bumper mounted sensors:**

- a. Unplug and remove sensors and wiring harness from factory bumper.
  - b. Remove the silicone seal from the end of the sensor. Slide the included larger Sensor Seal over front of sensor, (**Figure 13**).
  - c. Insert sensor with Seal into sensor mount, (**Figure 14**).
  - d. Place Foam Washer over end of sensor. Push Sensor Retaining Clip into sensor mount and lock into mounting holes, (**Figure 14**).
  - e. Repeat previous **Steps** to install remaining sensors.
  - f. **Optional:** Secure each sensor to the socket with (2) 4mm x 10mm Button Head Screws, (**Figure 12**). **IMPORTANT:** Sensors fit snug in sockets. The 4mm Screws are used to apply slight pressure to lock the sensors in place. Tighten both screws evenly until they touch the sensor body only. Do not overtighten screws or damage to sensors will result.
  - g. Install wiring harness for sensors.
11. **Center Light installation** (sold separately).
- a. Select the Driver/Left L-Bracket, (**Figure 15**). Attach the Bracket to the top of the mounting tab welded onto the back of the bumper with the included (1) 8mm x 25mm Hex Bolts, (2) 8mm Flat Washers, (1) 8mm Lock Washer and (1) 8mm Hex Nut. Leave loose at this time. Repeat this **Step** to attach the Passenger/Right L-Bracket to the bumper.
  - b. Attach the Light assembly to the L-Brackets with the included (2) 8mm x 16mm Hex Bolts, (2) 8mm Lock Washers and (2) 8mm Flat Washers, (**Figure 15**). Do not fully tighten hardware at this time. **IMPORTANT:** L-Brackets are designed for 8mm light mounting hardware only. Modify L-Brackets if necessary or use brackets supplied by your light manufacturer if possible to install hardware larger than 8mm.
  - c. Follow light manufacturer's instructions to properly wire the light.
12. With assistance, carefully position the Bumper Assembly up to the Mounting Brackets. Temporarily support the weight of the Bumper. **WARNING:** To avoid possible injury or damage to the vehicle, do not proceed until the bumper is fully and safely supported. Models with winch, check for clearance before fully installing Bumper assembly.
13. Line up the (3) holes in the Driver/Left side of the Bumper with the (3) holes in the Mounting Bracket. Attach the mounting plate on the back of the Bumper to the Bracket with the included (3) 12mm x 50mm Hex Bolts, (6) 12mm Flat Washers, (3) 12mm Lock Washers and (3) 12mm Hex Nuts, (**Figures 16 & 17**). Do not fully tighten hardware at this time. Repeat this Step to attach the Passenger/Right side of the Bumper to the Bracket.
14. Level and adjust the bumper and fully tighten all hardware.
15. Reattach the bumper wiring harness to vehicle wiring harness if equipped.

**FORTIS FRONT BUMPER  
2014-15 CHEVY SILVERADO 1500**

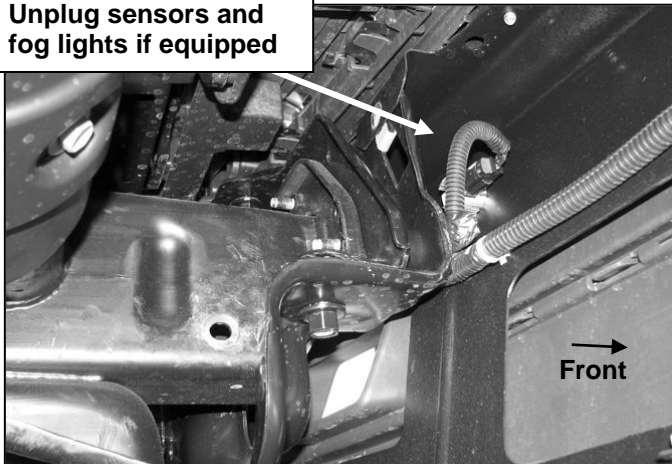
16. Use the included (2) License Plate Plugs to attach the front license plate, (if required), to the (2) holes in the front Bumper, **(Figure 18)**.

17. Do periodic inspections to the installation to make sure that all hardware is secure and tight.

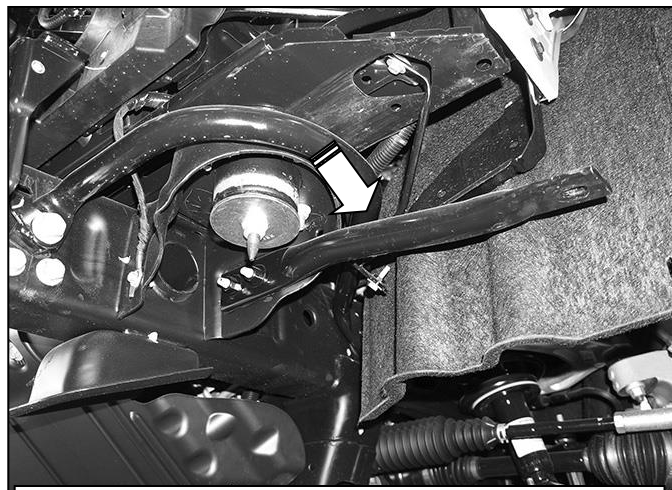
**To protect your investment**, wax this product after installing. Regular waxing is recommended to add a protective layer over the finish. Do not use any type of polish or wax that may contain abrasives that could damage the finish. Mild soap may be used to clean the Fortis Front Bumper assembly.

**Driver/Left Installation Pictured**

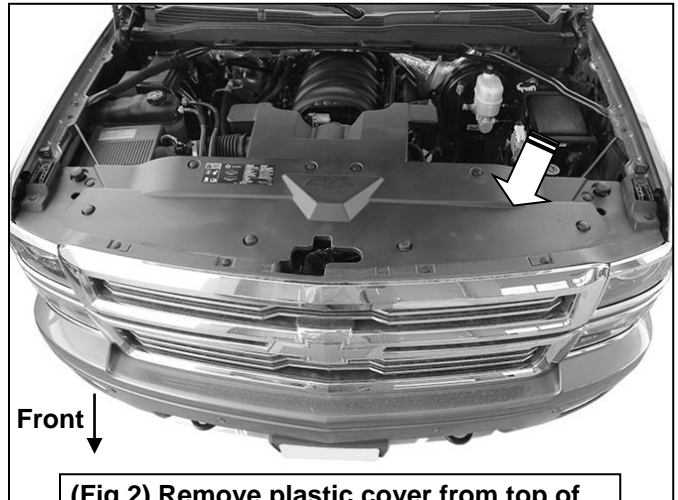
**Unplug sensors and fog lights if equipped**



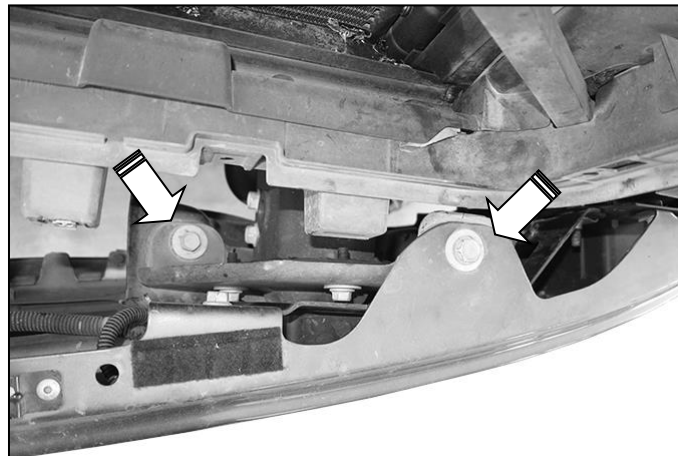
**(Fig 1) Unplug sensors, fog lights and move wiring harness away from bumper before removal**



**(Fig 3) Remove bumper support brackets (arrow)**



**(Fig 2) Remove plastic cover from top of radiator (arrow). Temporarily remove grille**



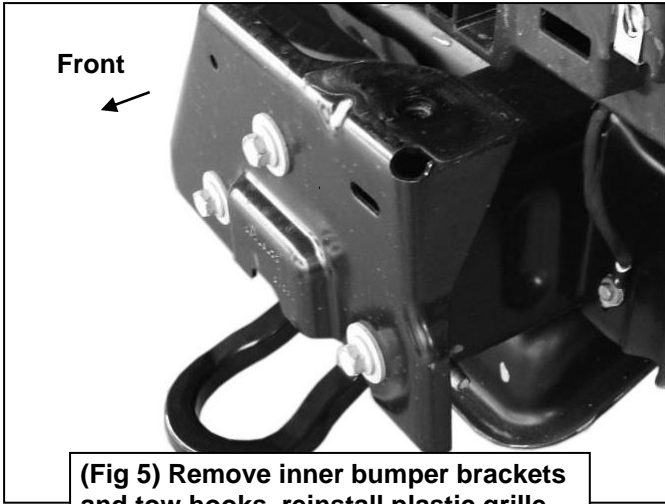
**(Fig 4) Remove bumper bolts (pictured from above)**

**WARNING!** Do not crawl under bumper or remove bumper bolts unless the bumper is properly supported on blocks or stands or the bumper may fall.

**FORTIS FRONT BUMPER  
2014-15 CHEVY SILVERADO 1500**

**Driver/Left Side Installation Pictured**

**WARNING!** Do not crawl under bumper or remove bumper bolts unless the bumper is properly supported on blocks or stands or the bumper may fall.

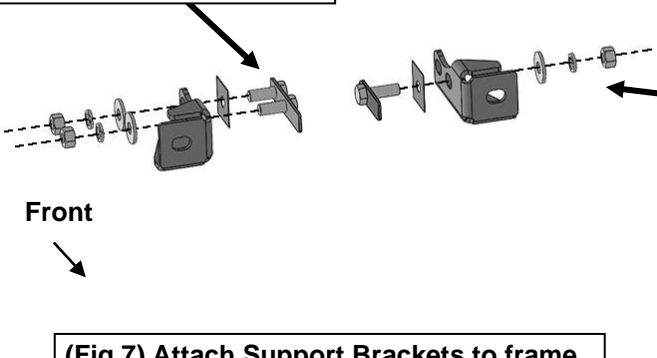


**(Fig 5) Remove inner bumper brackets and tow hooks, reinstall plastic grille**



**(Fig 6) Remove bumper brackets and tow hooks**

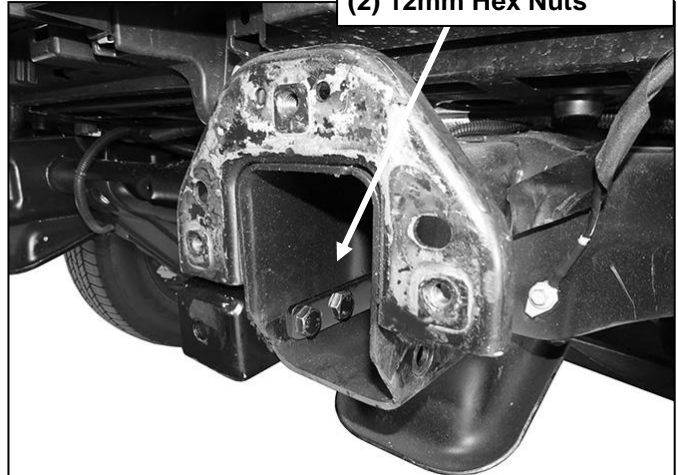
- 12mm Double Bolt Plate
- 12mm Plastic Retainer
- (2) 12mm Flat Washers
- (2) 12mm Lock Washers
- (2) 12mm Hex Nuts



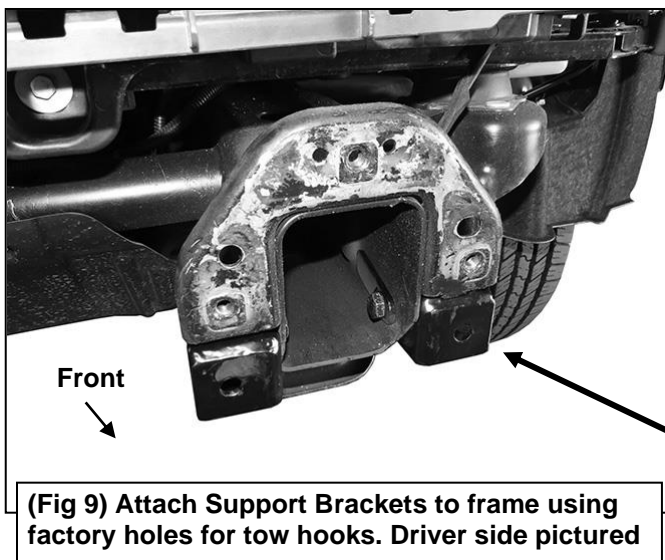
**(Fig 7) Attach Support Brackets to frame**

- 12mm Single Bolt Plate
- 12mm Plastic Retainer
- 12mm Flat Washer
- 12mm Lock Washer
- 12mm Hex Nut

- 12mm Double Bolt Plate
- 12mm Plastic Retainer
- (2) 12mm Flat Washers
- (2) 12mm Lock Washers
- (2) 12mm Hex Nuts



**(Fig 8) Attach Support Brackets to frame using factory holes for tow hooks. Driver side pictured**

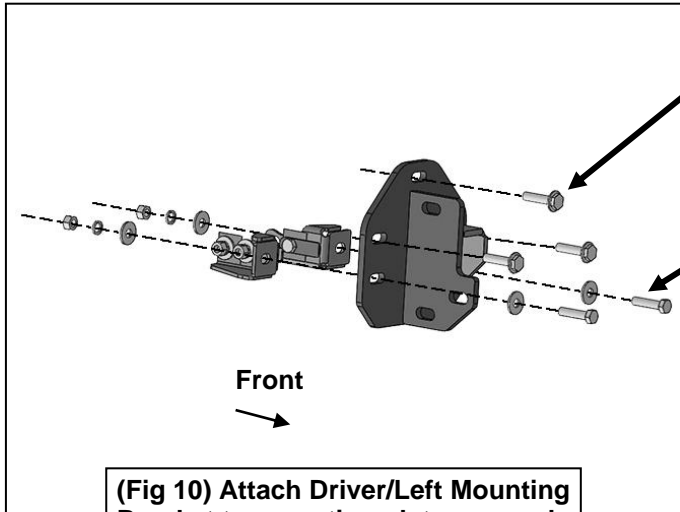


**(Fig 9) Attach Support Brackets to frame using factory holes for tow hooks. Driver side pictured**

- 12mm Single Bolt Plate
- 12mm Plastic Retainer
- 12mm Flat Washer
- 12mm Lock Washer
- 12mm Hex Nut

FORTIS FRONT BUMPER  
2014-15 CHEVY SILVERADO 1500

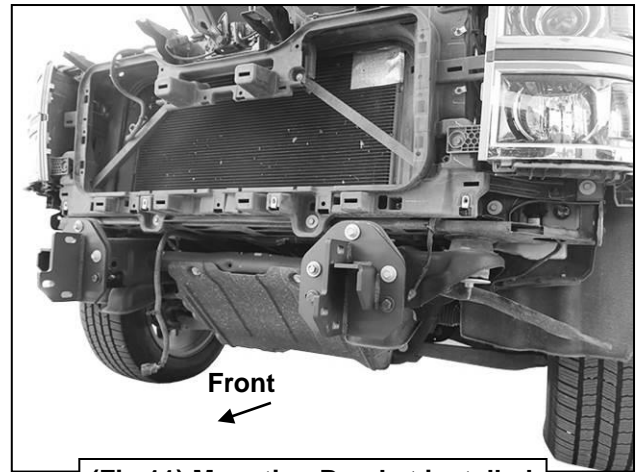
Driver/Left Side Installation Pictured



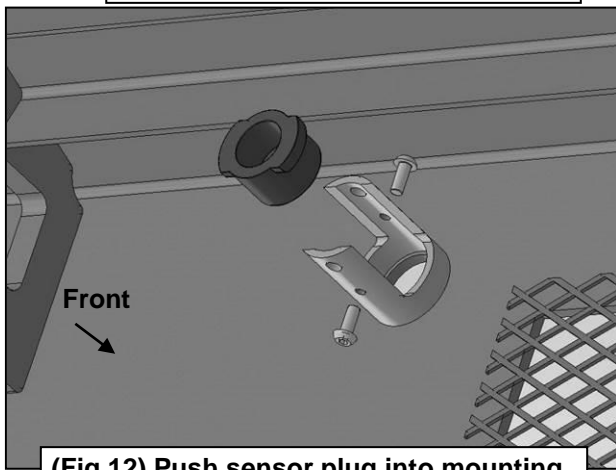
Reuse (3) factory bumper bolts to attach Bracket to factory frame bracket

- (2) 12mm x 50mm Hex Bolts
- (4) 12mm Flat Washers
- (2) 12mm Lock Washers
- (2) 12mm Hex Nuts

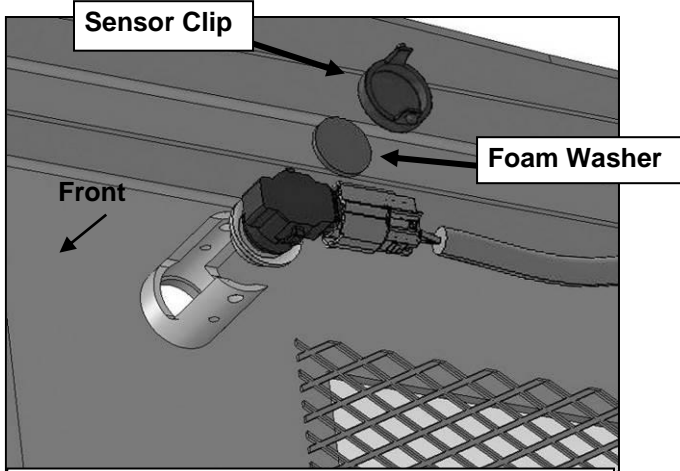
(Fig 10) Attach Driver/Left Mounting Bracket to mounting plates on end of frame and L/R Support Brackets



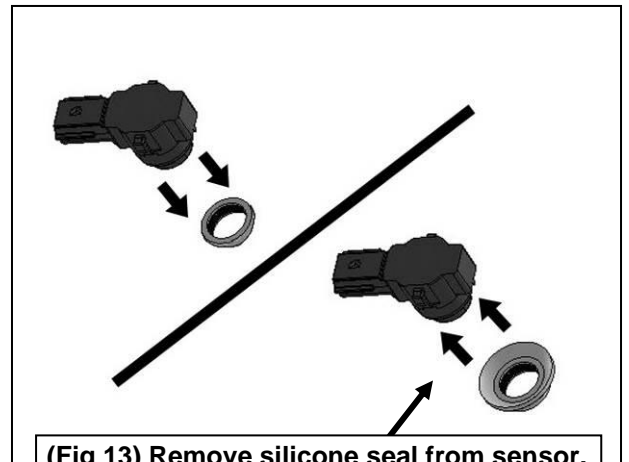
(Fig 11) Mounting Bracket installed



(Fig 12) Push sensor plug into mounting sleeve. Use of 4mm Screws is optional



(Fig 14) Slide sensor into sleeve, insert Foam Washer and Clip to lock sensor in sleeve



(Fig 13) Remove silicone seal from sensor. Slide large Seal over end of sensor (arrow)

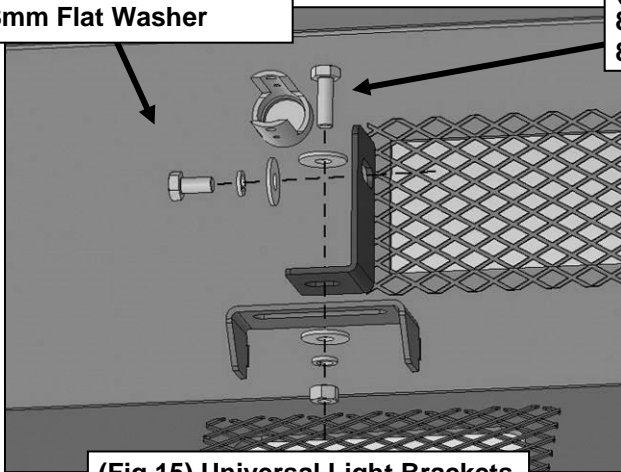
**IMPORTANT:** Sensors fit snug in sockets. The 4mm Screws are only used to apply slight pressure to lock the sensors in place. Tighten both screws evenly until they touch the sensor body only. Do not overtighten screws or damage to sensors will result.

**FORTIS FRONT BUMPER  
2014-15 CHEVY SILVERADO 1500**

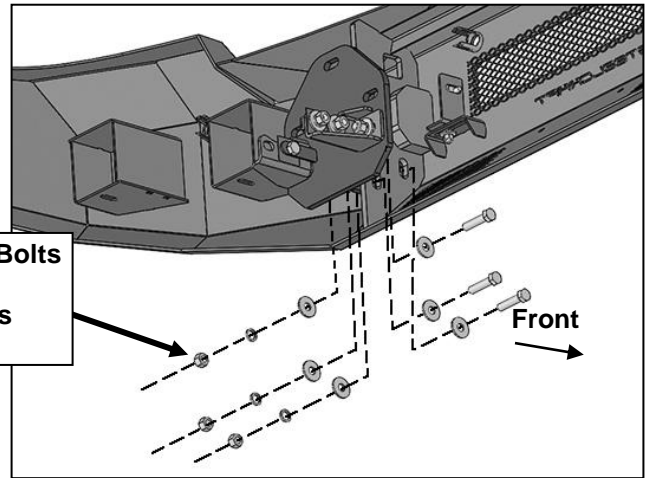
**Driver/Left Side Installation Pictured**

8mm x 16mm Hex Bolt  
8mm Lock Washer  
8mm Flat Washer

8mm x 25mm Hex Bolt  
(2) 8mm Flat Washers  
8mm Lock Washer  
8mm Hex Nut

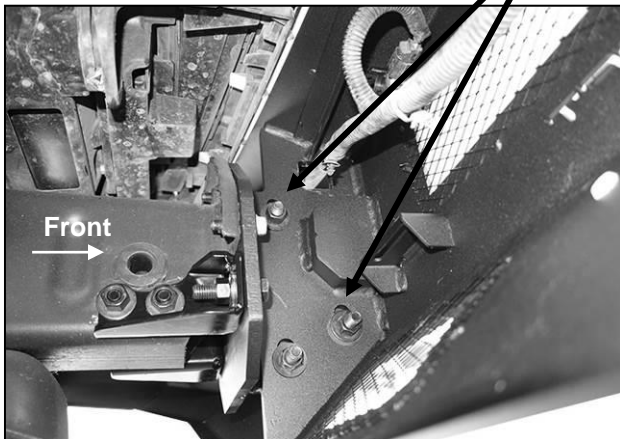


**(Fig 15) Universal Light Brackets**

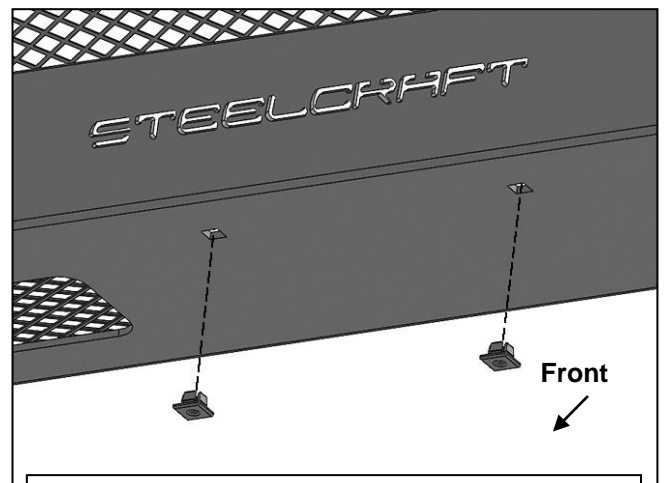


(3) 12mm x 50mm Hex Bolts  
(6) 12mm Flat Washers  
(3) 12mm Lock Washers  
(3) 12mm Hex Nuts

**(Fig 16) Attach Driver/Left side of Bumper to Bracket**



**(Fig 17) Driver/Left side of Bumper attached to Bracket (pictured from behind Bumper)**



**(Fig 18) Push plastic plugs into upper or lower holes in Bumper for license plate if required**