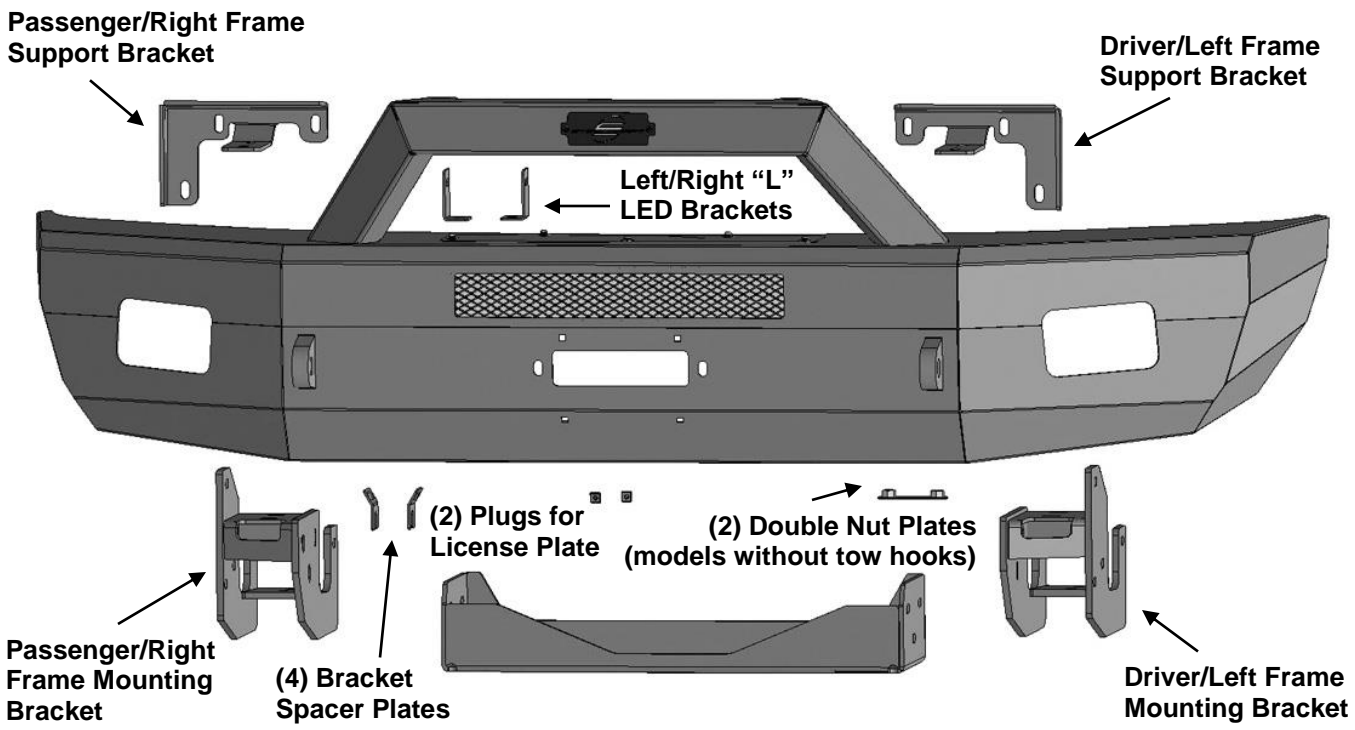




**ELEVATION BULL NOSE FRONT BUMPER
2015-16 FORD F150**

PARTS LIST:

1	Front Bumper Assembly	4	12mm Lock Washers
1	Winch Tray	18	12-1.75mm Nylon Lock Nuts
1	Driver/Left Frame Mounting Bracket	2	8-1.25mm x 25mm Hex Bolt
1	Passenger/Right Frame Mounting Bracket	2	8-1.25mm x 16mm Hex Bolt
1	Driver/Left Support Bracket	4	8mm Lock Washer
1	Passenger/Right Support Bracket	6	8mm x 24mm x 2mm Flat Washer
2	LED Light Brackets (L/R)	2	8mm Hex Nut
2	Plastic Plugs for license plate mount	5	6mm Button Head Combo Bolt
4	Bracket Spacer Plates	8	6mm x 25mm Hex Bolts
2	12mm Double Nut Plates	16	6mm x 18mm x 1.6 Flat Washers
2	12-1.75mm x 170mm Hex Bolts	8	6mm Nylon Lock Nuts
20	12-1.75mm x 50mm Hex Bolts	1	4mm Wrench
40	12mm x 32mm x 3mm Flat Washers		



PROCEDURE:

REMOVE CONTENTS FROM BOX. VERIFY ALL PARTS ARE PRESENT. READ INSTRUCTIONS CAREFULLY BEFORE STARTING INSTALLATION. BUMPER IS HEAVY, ASSISTANCE IS HIGHLY RECOMMENDED TO AVOID POSSIBLE INJURY OR DAMAGE TO THE VEHICLE. BUMPER INSTALLATION WILL INTERFERE WITH GRILLE MOUNTED CAMERA. CUTTING MAY BE REQUIRED ON MODELS WITH ECOBOOST OPTION.

1. Remove the license plate and bracket. On models with factory fog lights, unplug both lights and remove the complete light assemblies from back of bumper, **(Figure 1)**. Release the wiring harness from the clips attached to the back of the bumper. Move harness away from bumper.
2. Next, remove the plastic bumper pad assembly, **(Figure 2)**. **NOTE:** Release metal clips from back of bumper to remove bumper pad assembly. It may be easier to access bumper hardware, (from back of bumper), with plastic air dam removed from bottom of bumper.
3. Place blocks or jack stands under the front bumper to support it during mounting bolt removal. Once the bumper has been safely supported, remove the large hex nut from the back of each bumper bracket, **(Figure 3)**. Next, from the front of the bumper, remove the (2) factory hex nuts attaching the bumper to

**ELEVATION BULL NOSE FRONT BUMPER
2015-16 FORD F150**

each bumper bracket, **(Figure 4)**. **WARNING!** Assistance is required to hold the bumper in place during bolt removal to prevent the bumper from falling. Carefully slide the bumper off the frame, **(Figure 5)**.

4. Remove the driver side tow hook, (if equipped), from the bottom of the frame.
5. Select the driver side Frame Support Bracket, **(Figure 5)**. Reuse the factory hex nuts to secure the Support Bracket to the double bolt plate. Attach the single outer mounting hole on the Support Bracket to the end of the frame with (1) 12mm x 50mm Hex Bolt, (2) 12mm Flat Washers. (1) 12mm Nylon Lock Nut, **(Figures 6 & 11)**. Leave hardware loose at this time. Leave loose.
6. On models without tow hook, insert (1) Double Nut Plate into the open end of the frame, **(Figure 7)**. Next, select the driver side Frame Mounting Bracket, **(Figure 8)**. Attach the Bracket to the bottom of the frame and Double Nut Plate with (2) 12mm x 50mm Hex bolts, (2) 12mm Lock Washers and (2) 12mm Flat Washers. Leave hardware loose at this time.
7. Line up the Support Bracket with the top of the Frame Mounting Bracket. Attach the Support Bracket to the top of the Frame Bracket with (2) 12mm x 50mm Hex Bolts, (4) 12mm Flat Washers and (2) 12mm Nylon Lock Nuts, **(Figures 9 & 11)**. Do not tighten at this time.
8. Insert (1) 12mm x 170mm Long Hex Bolt with (1) 12mm Flat Washer through the outside of the mounting tab on the rear of the Frame Bracket, through the frame and inside tab. Secure with (1) 12mm Flat Washer and (1) 12mm Nylon Lock Nut. Insert (1) Spacer Plate down between the frame and the Mounting Bracket, **(Figure 10)**. Do not fully tighten hardware.
9. Repeat **Steps 4—8** to install the passenger side Frame Bracket assembly.
10. **Optional Winch Tray and Winch installation (winch sold separately):**
 - a. Select the Winch Tray. With assistance, slide the Winch Tray between the Frame Brackets. Attach the Winch Tray to the Frame Brackets with (6) 12mm x 50mm Hex Bolts, (12) 12mm Flat Washers and (6) 12mm Nylon Lock Nuts, **(Figures 12 & 13)**. Snug but do not fully tighten all hardware. **IMPORTANT: LED bar style light cannot be installed with Winch Tray. If installation of LED bar style light is desired, do not install the Winch Tray and skip to Step 11. Ecoboost air intake shroud may require cutting to clear Winch Tray.**
 - b. If installing winch, follow manufacturer's instructions to attach the winch to the Winch Tray. Winch must be installed before Bumper is placed in position against Brackets. Attach winch cable guide, (not included), to Bumper assembly. Follow manufacturer's instructions to properly wire the winch to the electrical system.
11. **Optional Center LED light installation (sold separately). NOTE:** Light must be installed before Bumper Assembly is attached to the Frame Brackets. **IMPORTANT: Winch Tray cannot be installed with LED bar style light assembly. LED bar style light installation not recommended on models equipped with Ecoboost engine option.**
 - a. Select the L/R "L" Brackets, **(Figure 14)**. **NOTE:** "L" Brackets are offset for universal fitment for most LED bar style lights. Attach the LED light assembly to the "L" Brackets with the included (2) 8mm x 16mm Hex Bolts, (2) 8mm Lock Washers and (2) 8mm Flat Washers. Do not fully tighten hardware at this time. **NOTE:** "L" Brackets may require modification for hardware larger than 8mm or use brackets supplied with light if possible.
 - b. Attach the light and Brackets to the top of the (2) tabs on the back of the Bumper with the included 8mm x 25mm Hex Bolts, (4) 8mm Flat Washers, (2) 8mm Lock Washers and (2) 8mm Hex Nuts, **(Figure 14)**. Adjust light position and tighten hardware.
 - c. Follow light manufacturer's instructions to wire the light once Bumper has been fully installed.
12. With assistance, position the Bumper Assembly up to and over the Frame Brackets. Temporarily support the weight of the Bumper. **WARNING:** To avoid possible injury or damage to the vehicle, do not proceed until the bumper is fully and safely supported.
13. Line up the (3) holes in the driver side Frame Bracket with the (3) holes in the inner mounting plate on the back of the Bumper. Attach the Bumper to the Bracket with the included (3) 12mm x 50mm Hex Bolts, (6) 12mm Flat Washers and (3) 12mm Nylon Lock Nuts, **(Figures 15 & 16)**. Snug but do not tighten hardware at this time. Repeat this **Step** to attach the passenger side of the Bumper to the Frame Bracket.
14. Level and adjust the bumper and fully tighten all 12mm hardware to 65-70ft-lbs. Access hardware at the top of the Mounting Bracket through the removable access cover on the top of the Bumper. **NOTE:** If additional adjustment is required, loosen Frame Bracket Hardware and adjust Bracket as necessary.

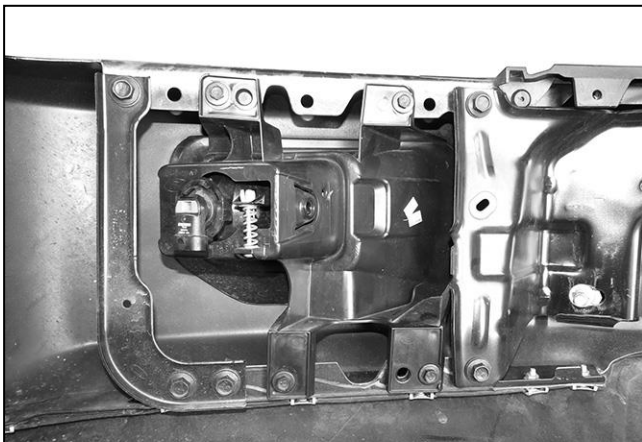
**ELEVATION BULL NOSE FRONT BUMPER
2015-16 FORD F150**

15. Models with fog lights:

- a. Line up the driver side fog light assembly with the (4) mounting tabs welded onto the back of the bumper. Attach the fog light assembly to the tabs with the included (4) 6mm x 25mm Hex Bolts, (8) 6mm Flat Washers and (4) 6mm Nylon Lock Nuts, **(Figure 17)**. Mounting tabs may move during shipping. Use hand tools to carefully adjust mounting tabs to line up flat with plastic fog light housing. **IMPORTANT:** Do not overtighten 6mm hardware attaching fog light to Bumper or plastic housing may be damaged.
 - b. Repeat to install the passenger side fog light assembly.
 - c. Reattach the factory wiring harness to both lights.
16. Use the included (2) push-in plastic nuts to attach the front license plate, (if required), to the (2) holes in the front bumper, **(Figure 18)**.
17. Do periodic inspections to the installation to make sure that all hardware is secure and tight.

To protect your investment, wax this product after installing. Regular waxing is recommended to add a protective layer over the finish. Do not use any type of polish or wax that may contain abrasives that could damage the finish. Mild soap may be used to clean the Front Bumper assembly.

Driver Side Installation Pictured



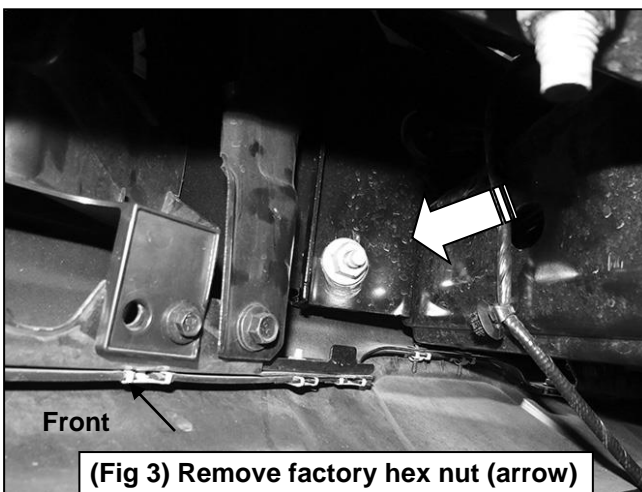
(Fig 1) Remove fog light assembly from bumper



Front

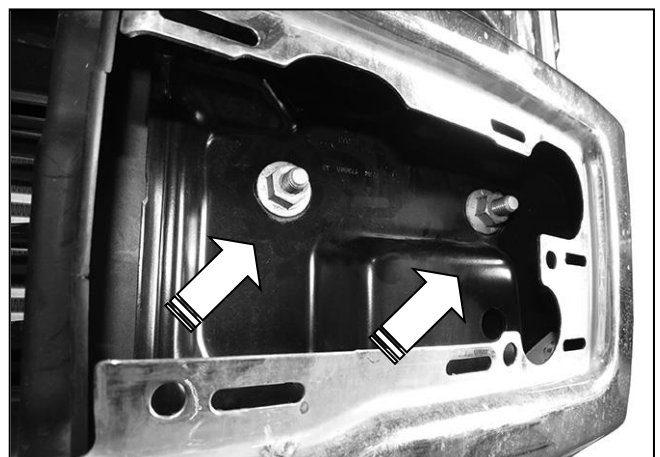


(Fig 2) Remove license plate. From behind bumper, release metal clips attaching plastic bumper pad to the bumper



Front

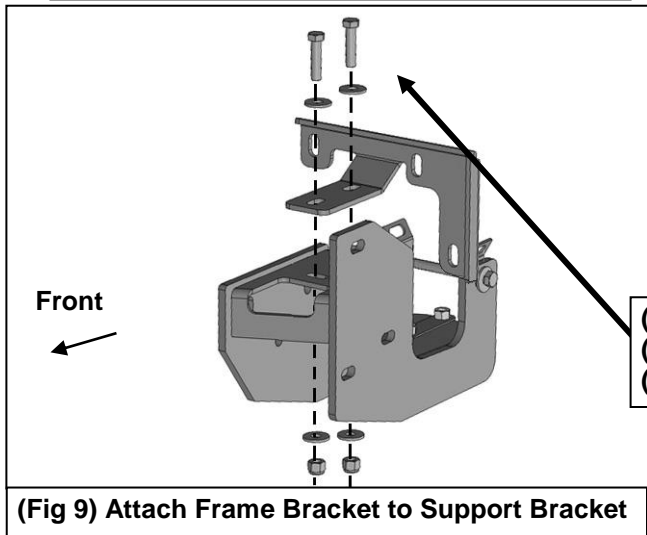
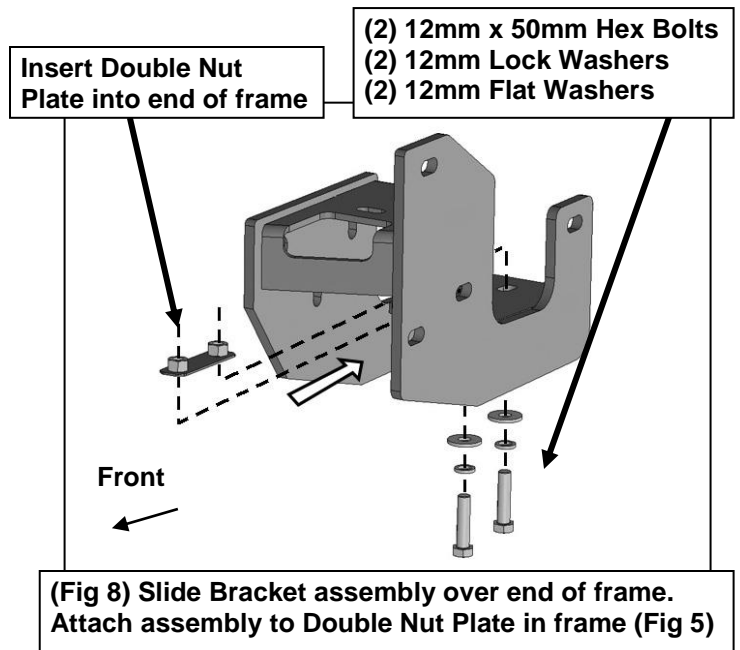
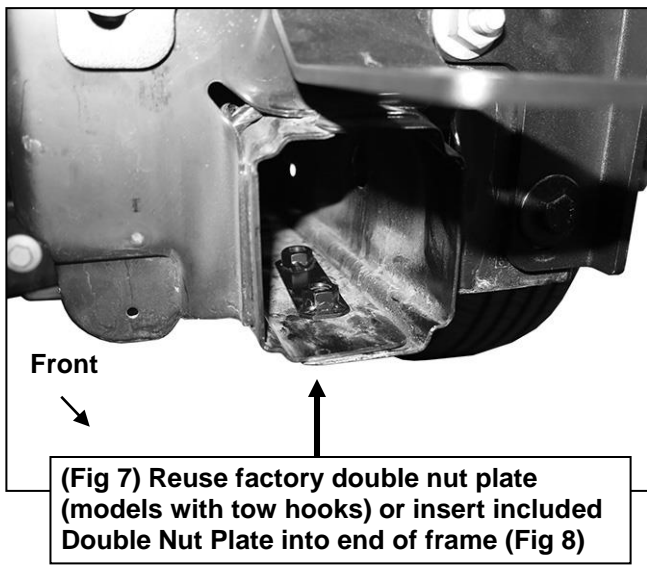
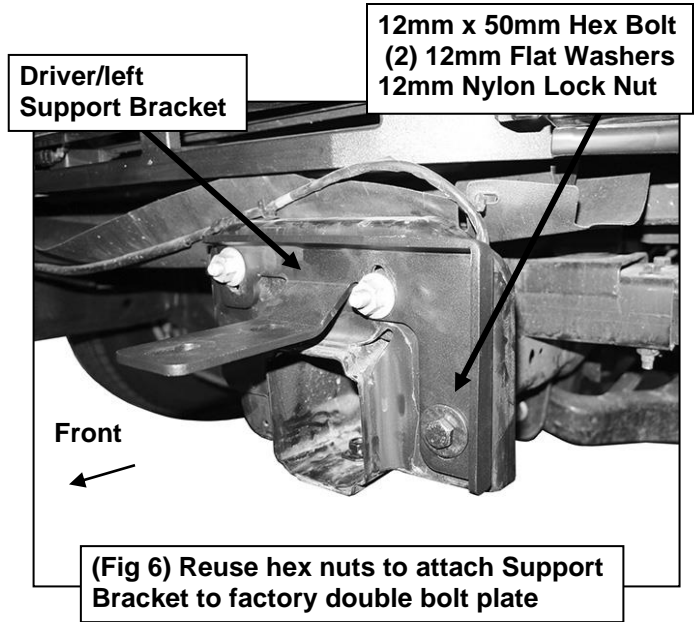
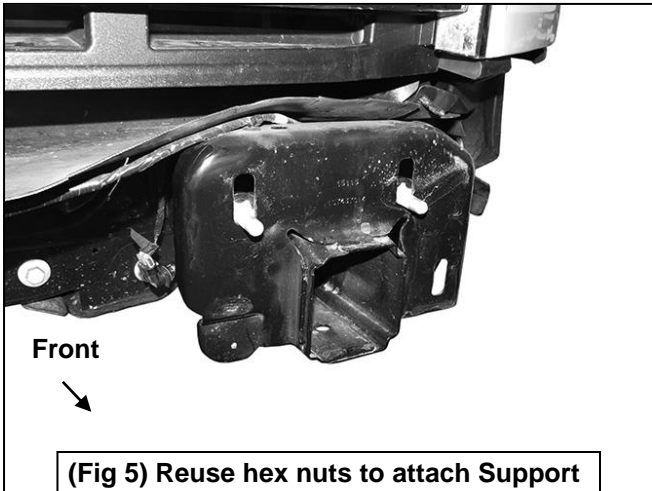
(Fig 3) Remove factory hex nut (arrow) from back of bumper bracket



(Fig 4) Remove (2) factory hex nuts from each side

WARNING! Do not remove bumper bolts unless the bumper is properly supported on blocks or stands or the bumper may fall.

Driver Side Installation Pictured

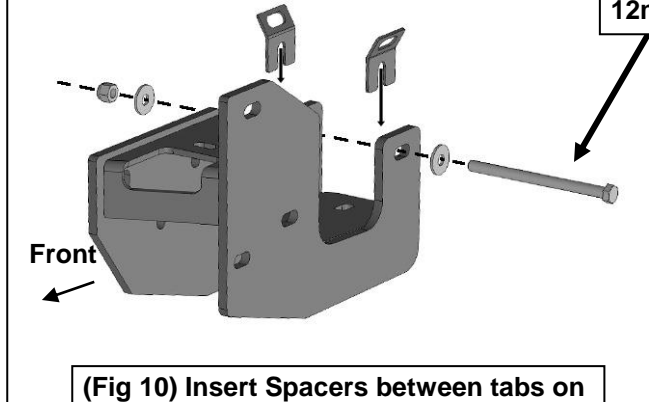


**ELEVATION BULL NOSE FRONT BUMPER
2015-16 FORD F150**

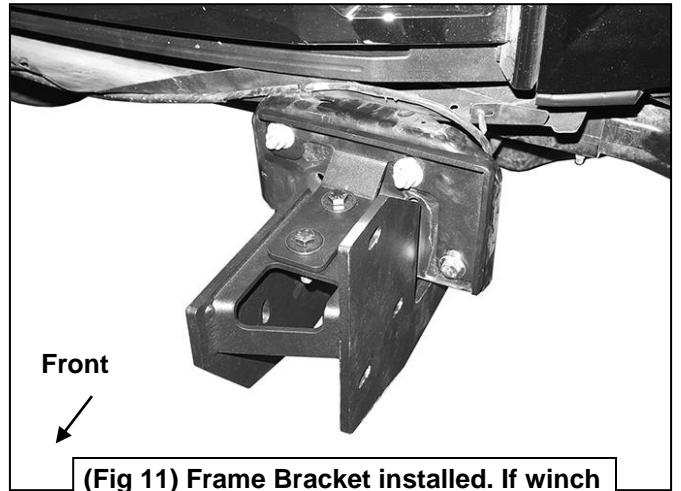
Driver Side Installation Pictured

(2) Spacers

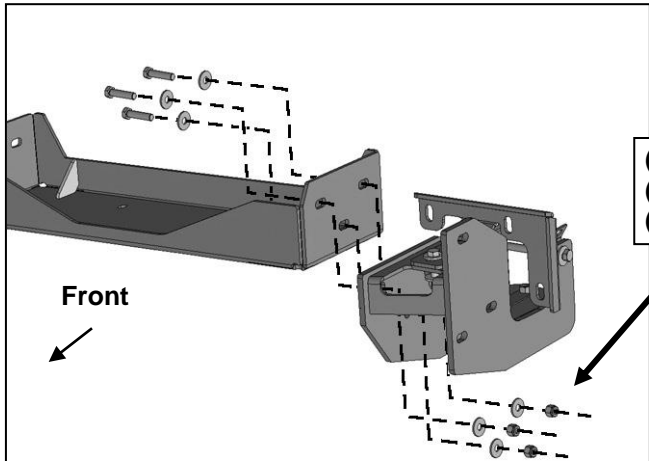
12mm x 170mm Long Hex Bolt
(2) 12mm Flat Washers
12mm Nylon Lock Nut



(Fig 10) Insert Spacers between tabs on Bracket assembly and sides of frame

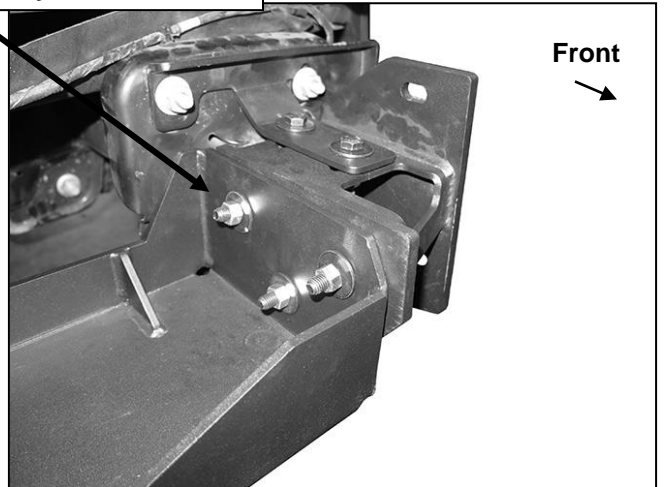


(Fig 11) Frame Bracket installed. If winch will not be installed, skip Figures 12 & 13



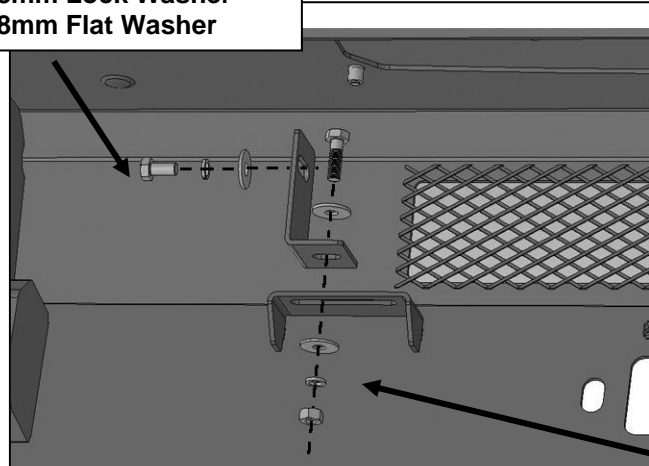
(3) 12mm x 50mm Hex Bolts
(6) 12mm Flat Washers
(3) 12mm Nylon Lock Nuts

(Fig 12) Attach Winch Tray to Mounting Brackets



(Fig 13) Driver side Bracket Assembly pictured

8mm x 16mm Hex Bolt
8mm Lock Washer
8mm Flat Washer



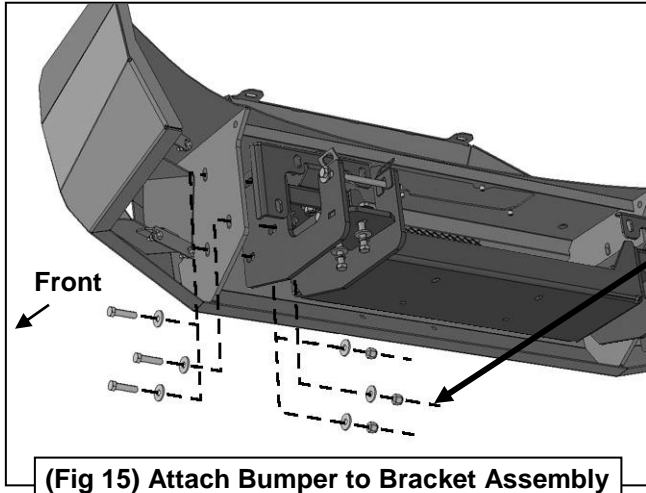
(Fig 14) Universal LED Brackets (light not included)

8mm x 25mm Hex Bolt
(2) 8mm Flat Washers
8mm Lock Washer
8mm Hex Nut

IMPORTANT: Air intake shroud on Ecoboost equipped models may require cutting to clear the Winch Tray.

**ELEVATION BULL NOSE FRONT BUMPER
2015-16 FORD F150**

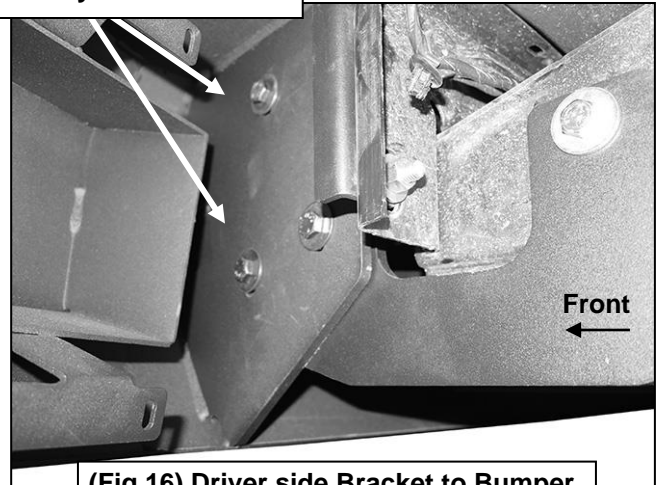
Driver Side Installation Pictured



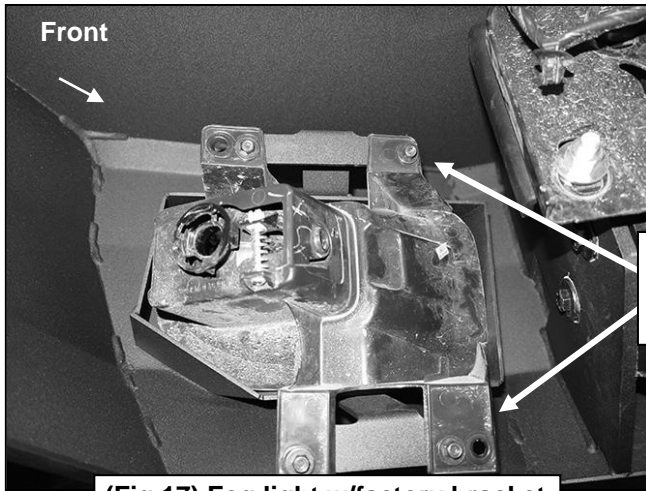
(Fig 15) Attach Bumper to Bracket Assembly

WARNING! Do not crawl under bumper unless the bumper is properly supported on blocks or stands or the bumper may fall.

- (3) 12mm x 50mm Hex Bolts
- (6) 12mm Flat Washers
- (3) 12mm Nylon Lock Nuts

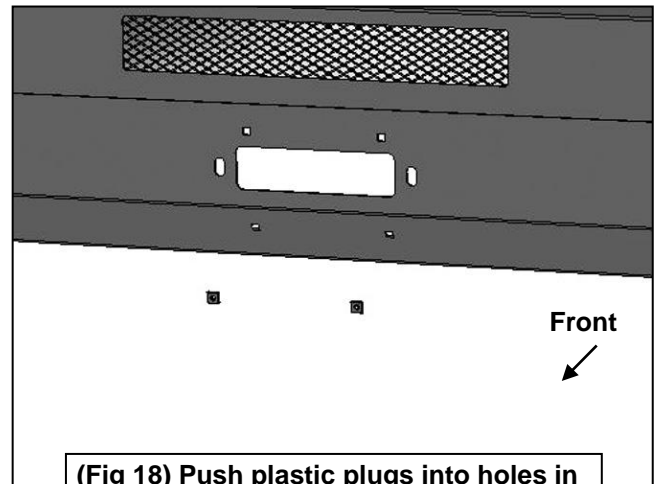


(Fig 16) Driver side Bracket to Bumper



(Fig 17) Fog light w/factory bracket

- (4) 6mm x 25mm Hex Bolts
- (8) 6mm Flat Washers
- (4) 6mm Nylon Lock Nuts



(Fig 18) Push plastic plugs into holes in Bumper for license plate if required.



Complete Installation