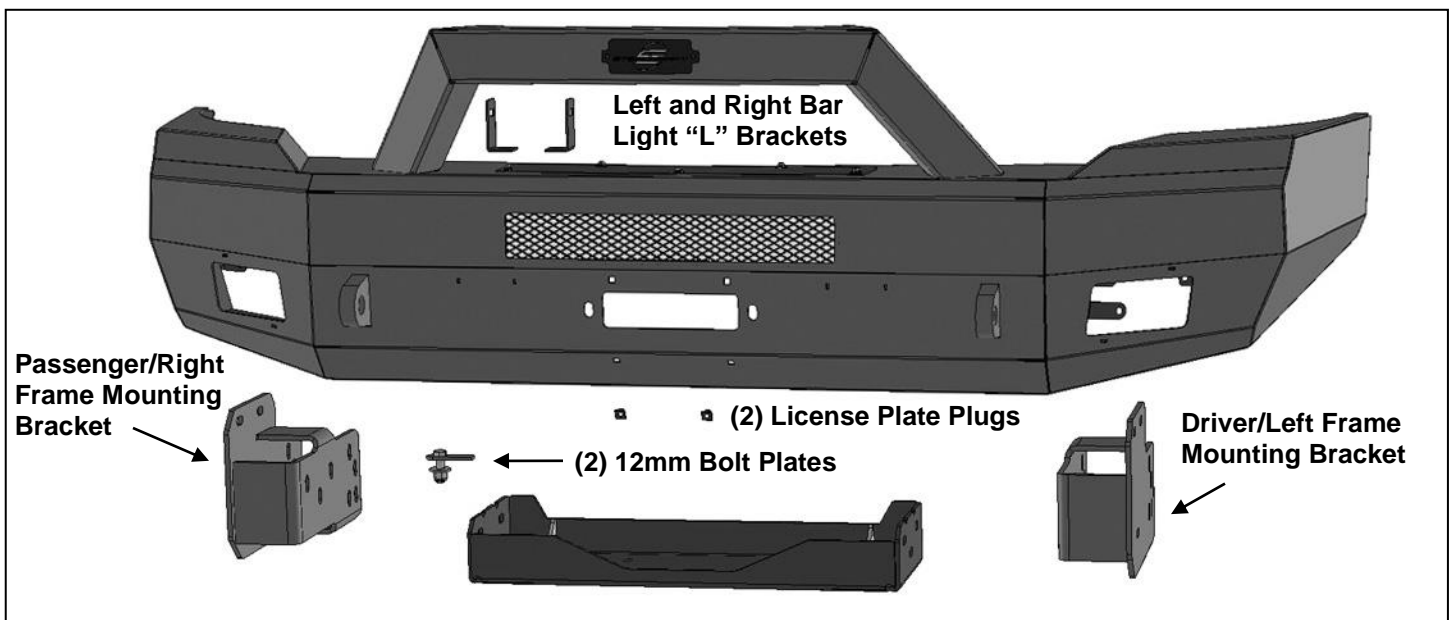


**ELEVATION BULL NOSE FRONT BUMPER
2007-13 CHEVY SILVERADO 1500**

PARTS LIST:

| | | | |
|---|---|----|--------------------------------------|
| 1 | Elevation Bull Nose Front Bumper Assembly | 12 | 12-1.75mm x 50mm Hex Bolts |
| 1 | Winch Tray Assembly | 38 | 12mm x 32mm OD x 3mm Flat Washers |
| 1 | Driver/left Frame Mounting Bracket | 20 | 12mm Nylon Lock Nuts |
| 1 | Passenger/right Frame Mounting Bracket | 2 | 8-1.25mm x 25mm Hex Bolts |
| 1 | Winch Access Cover | 2 | 8-1.25mm x 16mm Hex Bolt |
| 1 | Driver/left LED light bracket | 6 | 8mm x 24mm x 2mm Flat Washer |
| 1 | Passenger/right LED light bracket | 4 | 8mm Lock Washers |
| 2 | Plastic Plugs for License Plate | 2 | 8mm Hex Nuts |
| 2 | 12mm Bolt Plates | 5 | 6mm Combo Bolts (winch access cover) |
| 6 | 12-1.75mm x 140mm Hex Bolts | 1 | 4mm Wrench (combo bolts) |



PROCEDURE: REMOVE CONTENTS FROM BOX. VERIFY ALL PARTS ARE PRESENT. READ INSTRUCTIONS CAREFULLY BEFORE STARTING INSTALLATION. BUMPER IS HEAVY, ASSISTANCE IS HIGHLY RECOMMENDED TO AVOID POSSIBLE INJURY OR DAMAGE TO THE VEHICLE.

1. Remove the license plate and bracket. On models with factory fog lights, unplug both lights and harness leading to the bumper, **(Figures 1 & 2)**. Move all wiring harnesses away from bumper.
2. Remove the outer bumper supports on each side of the frame, leading from the frame to the outer ends of the bumper, **(Figures 2 & 15)**.
3. Place blocks or jack stands under the front bumper to support it during mounting bolt removal. Once the bumper has been safely supported, remove the factory hex nuts and double bolt plate attaching the inner bumper bracket to the ends of the frame, **(Figure 3)**. **WARNING!** Assistance is required to hold the bumper in place during bolt removal to prevent the bumper from falling. Slide the bumper assembly off of the frame.
4. Remove both tow hooks from the ends of the frame, **(Figures 4 & 5)**.
5. Select the driver/left Frame Mounting Bracket. Attach the Bracket to the frame with (1) 12mm x 140mm Hex Bolt, (2) 12mm Flat Washers and (1) 12mm Nylon Lock Nut, **(Figure 6)**. It may be easier to attach the Bracket at the top mounting hole first before inserting the remaining long hex bolts.
6. Next, insert (1) 12mm Bolt Plate into the end of the Bracket and out through the hole to the inside wall of the frame, **(Figure 6)**. Secure the Bracket to the Bolt Plate with (1) 12mm Flat Washer and (1) 12mm Nylon Lock Nut. Leave hardware loose at this time.
7. Repeat **Step 5** to insert (2) 12mm x 140 Hex Bolts, (4) 12mm Flat Washers and (2) 12mm Nylon Lock Nuts through the (2) remaining mounting holes in the driver/left Mounting Bracket, **(Figures 6—9)**.

**ELEVATION BULL NOSE FRONT BUMPER
2007-13 CHEVY SILVERADO 1500**

8. Repeat **Steps 5—7** to attach the passenger/right Frame Mounting Bracket to the end of the frame.
NOTE: On the passenger side, the 12mm Bolt Plate will install through the outside wall of the frame.
9. **Optional Winch Tray and Winch installation, (winch sold separately):**
 - a. Select the Winch Tray. With assistance, slide the Winch Tray between the Frame Brackets. Attach the Winch Tray to the Frame Brackets with (6) 12mm x 50mm Hex Bolts, (12) 12mm Flat Washers and (6) 12mm Nylon Lock Nuts, (**Figures 10 & 11**). Snug but do not fully tighten all hardware.
IMPORTANT: LED bar style light cannot be installed with Winch Tray. If installation of LED bar style light is desired, do not install the Winch Tray and skip to Step 10.
 - b. If installing winch, follow manufacturer's instructions to attach the winch to the Winch Tray. Winch must be installed before Bumper is placed in position against Brackets. Attach winch cable guide, (not included), to Bumper assembly. Follow manufacturer's instructions to properly wire the winch to the electrical system.
10. **Optional Center LED light installation (sold separately).** **NOTE:** Light must be installed before Bumper Assembly is attached to the Frame Brackets. **IMPORTANT: Winch Tray cannot be installed with LED bar style light assembly.**
 - a. Select the L/R "L" Brackets, (**Figure 12**). **NOTE:** "L" Brackets are offset for universal fitment for most LED bar style lights. Attach the LED light assembly to the "L" Brackets with the included (2) 8mm x 16mm Hex Bolts, (2) 8mm Lock Washers and (2) 8mm Flat Washers. Do not fully tighten hardware at this time. **NOTE:** "L" Brackets may require modification for hardware larger than 8mm or use brackets supplied with light if possible.
 - b. Attach the light and Brackets to the top of the (2) tabs on the back of the Bumper with the included 8mm x 25mm Hex Bolts, (4) 8mm Flat Washers, (2) 8mm Lock Washers and (2) 8mm Hex Nuts, (**Figure 12**). Adjust light position and tighten hardware.
 - c. Follow light manufacturer's instructions to wire the light once Bumper has been fully installed.
11. With assistance, carefully position the Bumper Assembly up to the Mounting Brackets. Temporarily support the weight of the Bumper. **WARNING:** To avoid possible injury or damage to the vehicle, do not proceed until the bumper is fully and safely supported. Models with winch or LED light, check for clearance before fully installing Bumper assembly.
12. Line up the (3) holes in the driver/left side of the Bumper with the (3) holes in the Frame Mounting Bracket, (**Figures 13 & 14**). Attach the mounting plate on the back of the Bumper to the Bracket with the included (3) 12mm x 50mm Hex Bolts, (6) 12mm Flat Washers and (3) 12mm Nylon Lock Nuts. Do not fully tighten hardware at this time. Repeat this Step to attach the passenger/right side of the Bumper to the Mounting Bracket.
13. Level and adjust the bumper and fully tighten all 12mm hardware to 65-70ft-lbs.
14. **Models with fog lights:**
 - a. Remove the driver/left light from the original bumper, (**Figure 15**).
 - b. Remove the (3) screws from the mounting posts on the light.
 - c. Slide the light into place against the mounting tabs on the Bumper.
 - d. Reuse the (3) screws to attach the light to the mounting tabs, (**Figure 16**). **IMPORTANT:** Tabs may become misaligned in transit. Carefully bend the tabs if needed to properly line up with the mounting points on the back of the fog light.
 - e. Repeat previous Steps to install the passenger/right fog light.
15. Reattach the factory wiring harness to both lights if equipped.
16. Use the included (2) push-in Plastic Nuts to attach the front license plate, (if required), to the (2) holes in the front Bumper, (**Figure 17**).
17. Do periodic inspections to the installation to make sure that all hardware is secure and tight.

To protect your investment, wax this product after installing. Regular waxing is recommended to add a protective layer over the finish. Do not use any type of polish or wax that may contain abrasives that could damage the finish. Mild soap may be used to clean the Heavy Duty Front Bumper assembly.

**ELEVATION BULL NOSE FRONT BUMPER
2007-13 CHEVY SILVERADO 1500**

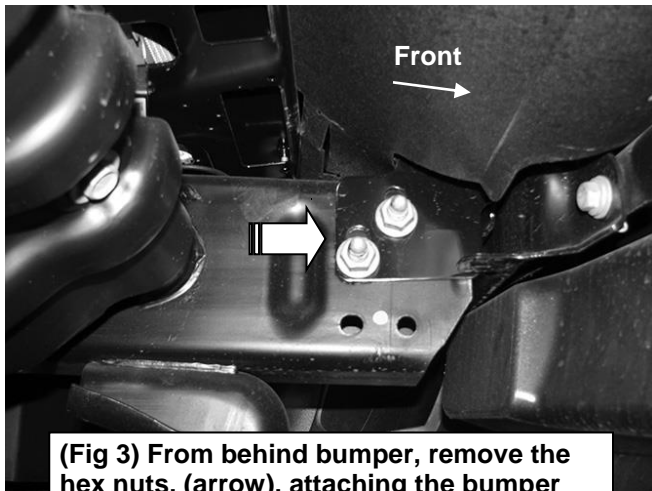
Driver/left Installation Pictured



(Fig 1) Unplug fog light and wiring harness. Also remove bumper support from side of frame (not pictured). Driver/left side pictured

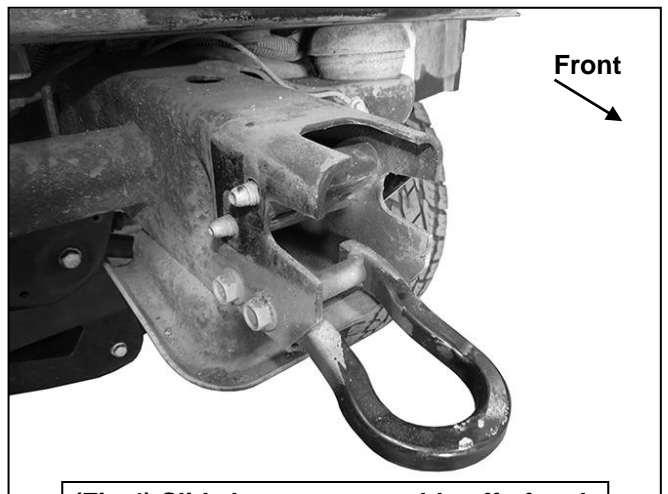


(Fig 2) Unplug fog light. Also remove bumper support from side of frame (arrow). Passenger/right side pictured

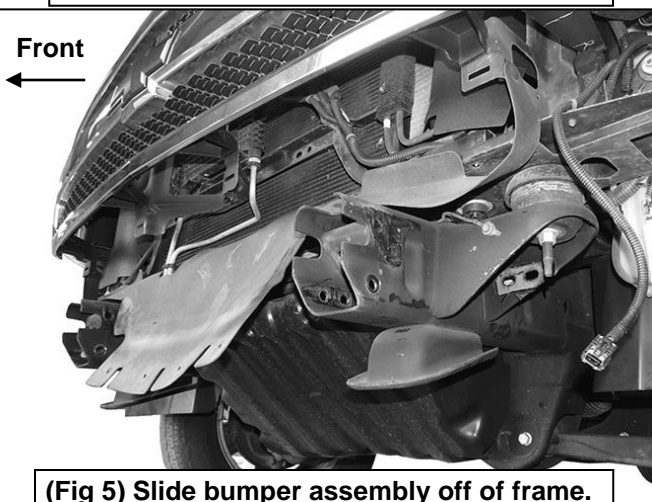


(Fig 3) From behind bumper, remove the hex nuts, (arrow), attaching the bumper bracket to the double bolt plate (driver/left side pictured from behind bumper)

WARNING! Do not crawl under bumper or remove bumper bolts unless the bumper is properly supported on blocks or stands or the bumper may fall.



(Fig 4) Slide bumper assembly off of end of frame. Remove tow hooks if equipped



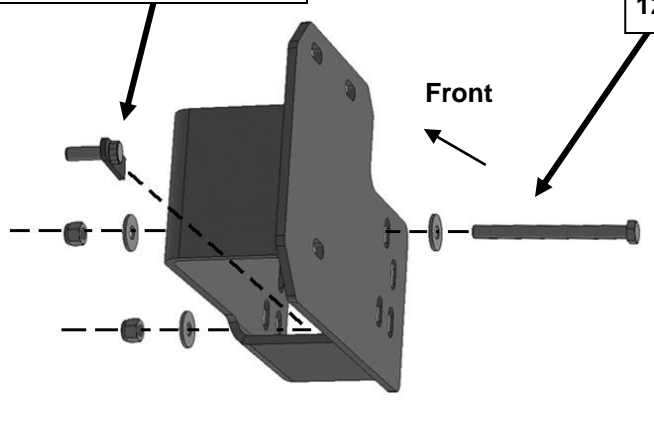
(Fig 5) Slide bumper assembly off of frame.

**ELEVATION BULL NOSE FRONT BUMPER
2007-13 CHEVY SILVERADO 1500**

Driver/left Side Installation Pictured

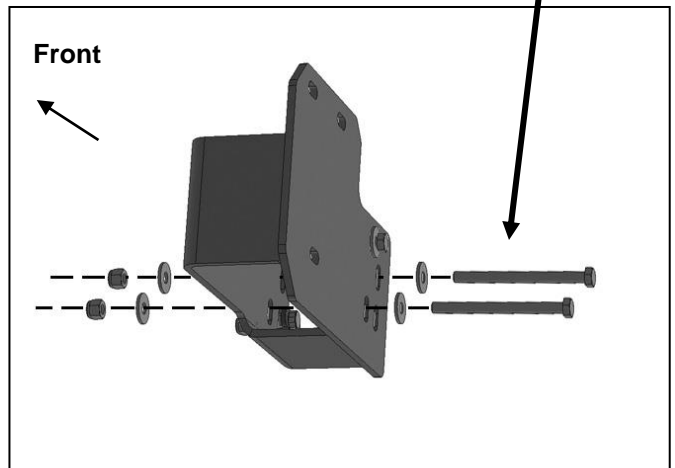
12mm Single Bolt Plate
12mm Flat Washer
12mm Nylon Lock Nut

12mm x 140 Hex Bolt
(2) 12mm Flat Washers
12mm Nylon Lock Nut



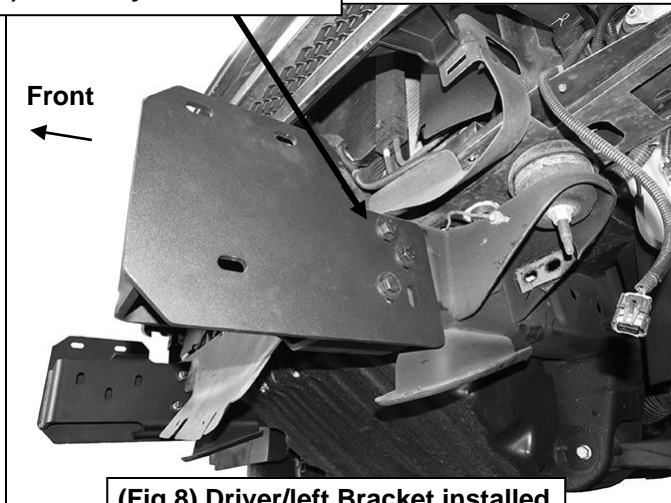
(Fig 6) Attach driver/left Bracket to frame. NOTE: Use (1) long 12mm Hex Bolt to attach the Bracket to the top mounting hole first, then install the Bolt Plate.

(2) 12mm x 140 Hex Bolts
(4) 12mm Flat Washers
(2) 12mm Nylon Lock Nuts



(Fig 7) Finish attaching driver/left Bracket to frame

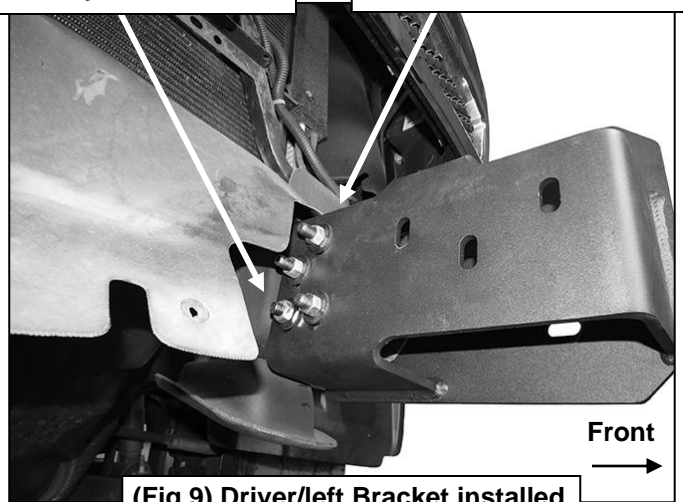
(3) 12mm x 140 Hex Bolts
(6) 12mm Flat Washers
(3) 12mm Nylon Lock Nuts



(Fig 8) Driver/left Bracket installed

12mm Single Bolt Plate
12mm Flat Washer
12mm Nylon Lock Nut

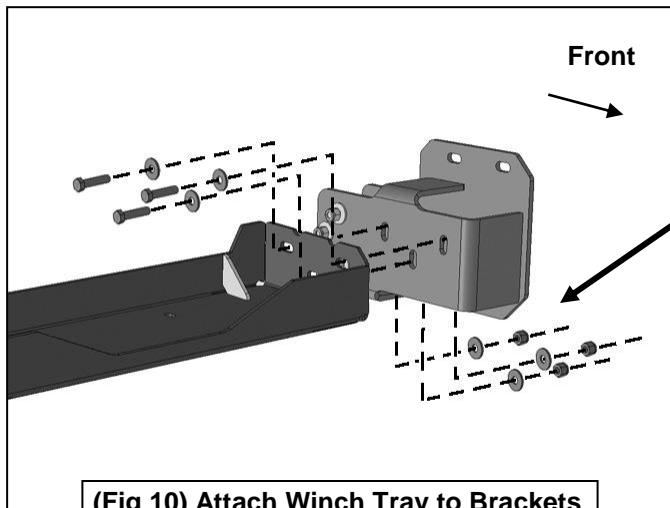
(3) 12mm x 140 Hex Bolts
(6) 12mm Flat Washers
(3) 12mm Nylon Lock Nuts



(Fig 9) Driver/left Bracket installed

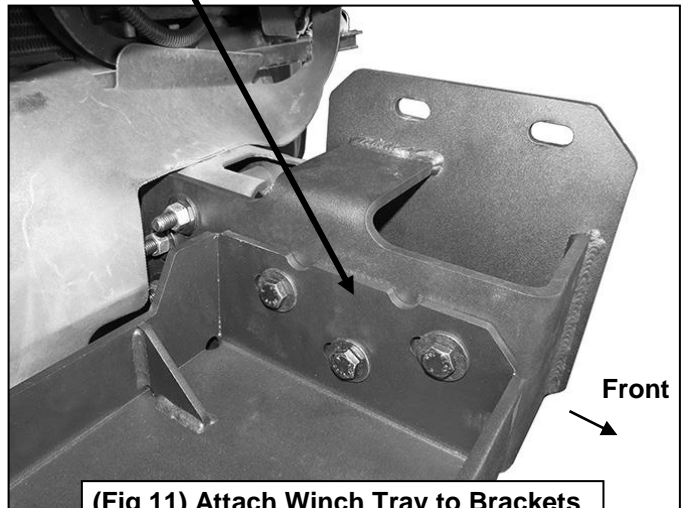
ELEVATION BULL NOSE FRONT BUMPER
2007-13 CHEVY SILVERADO 1500

Driver/left Side Installation Pictured



(Fig 10) Attach Winch Tray to Brackets

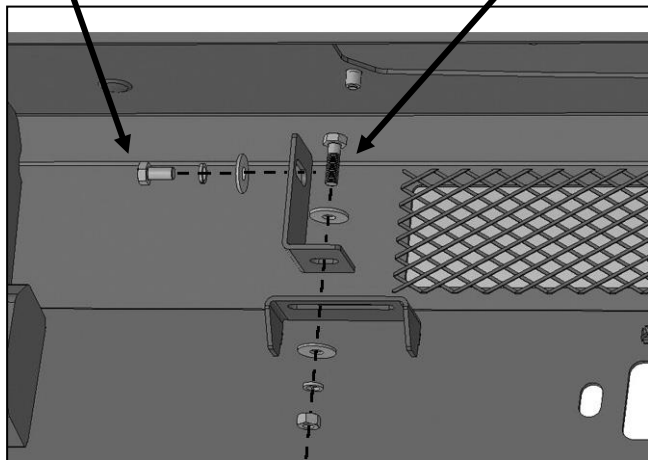
- (3) 12mm x 50mm Hex Bolts
- (6) 12mm Flat Washers
- (3) 12mm Nylon Lock Nuts



(Fig 11) Attach Winch Tray to Brackets

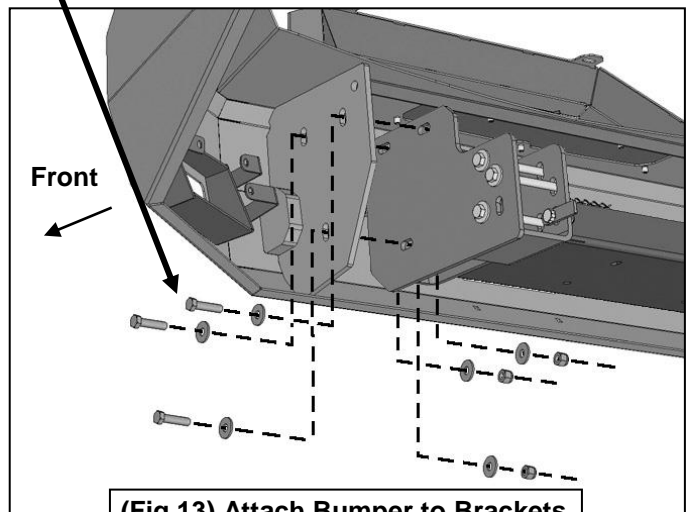
- 8mm x 16mm Hex Bolt
- 8mm Lock Washer
- 8mm Flat Washer

- 8mm x 25mm Hex Bolt
- (2) 8mm Flat Washers
- 8mm Lock Washer
- 8mm Hex Nut



(Fig 12) Universal LED Brackets (light not included)

- (2) 12mm x 50mm Hex Bolts
- (4) 12mm Flat Washers
- (2) 12mm Nylon Lock Nuts

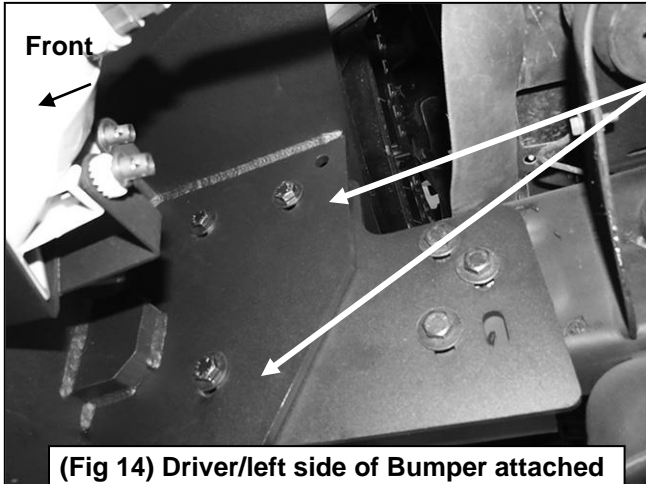


(Fig 13) Attach Bumper to Brackets

WARNING! Do not crawl under bumper unless the bumper is properly supported on blocks or stands or the bumper may fall.

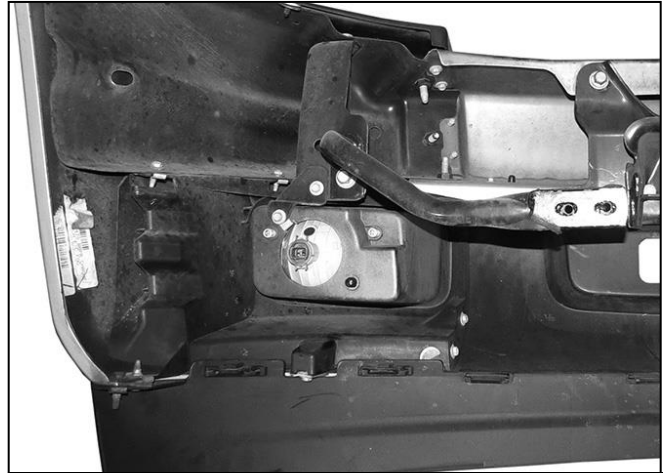
**ELEVATION BULL NOSE FRONT BUMPER
2007-13 CHEVY SILVERADO 1500**

Driver/left Side Installation Pictured



- (2) 12mm x 50mm Hex Bolts
- (4) 12mm Flat Washers
- (2) 12mm Nylon Lock Nuts

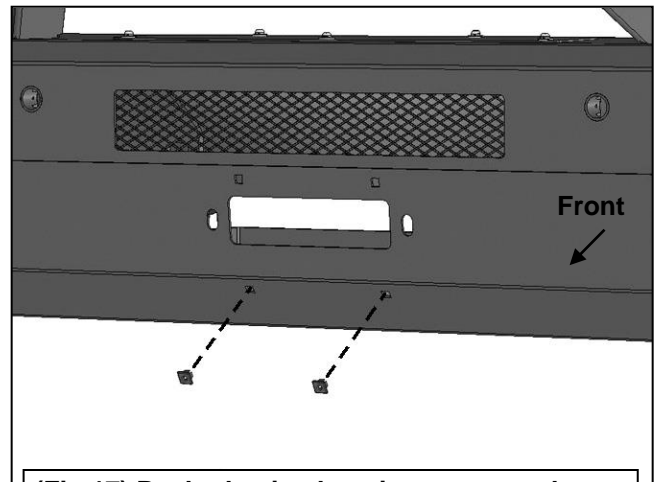
(Fig 14) Driver/left side of Bumper attached to Winch Tray Bracket Assembly



(Fig 15) Remove lights from bumper if equipped



(Fig 16) Remove (3) screws from lights. Adjust tabs on Bumper if necessary to line up with light. Reuse screws to attach light to tabs on Bumper.



(Fig 17) Push plastic plugs into upper or lower holes in Bumper for license plate if required



Complete Installation with accessories (not included)

[View other grille guards and bull bars made by Steelcraft on our website.](#)