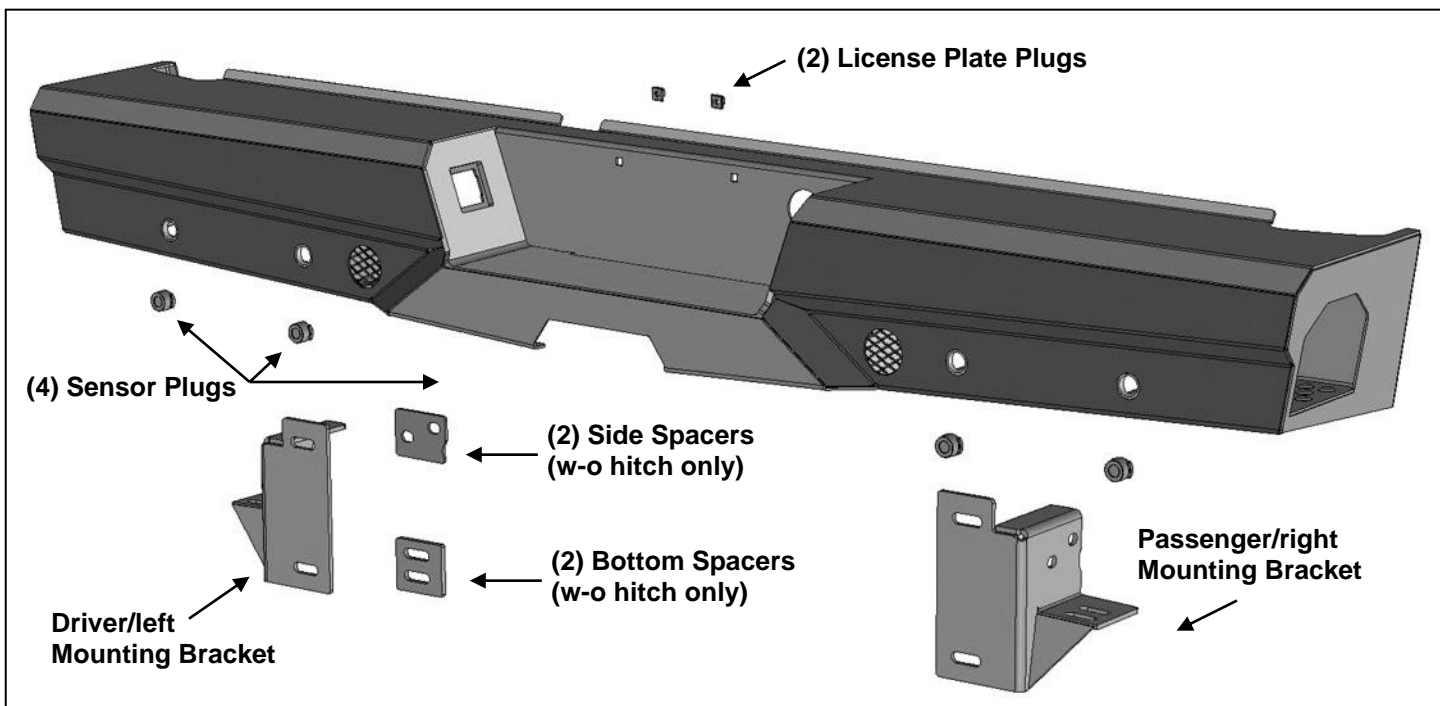


**ELEVATION REAR BUMPER
2016-17 TITAN "XD" AND 2017 TITAN MODELS**

PARTS LIST:

1	Elevation Rear Bumper Assembly	2	Plastic Plugs for license plate mount
1	Driver/Left Bracket	4	12-1.75mm x 40mm Hex Bolts
1	Passenger/Right Bracket	8	12mm x 37mm x 3mm Flat Washers
2	Side Spacer Plates (w-o hitch only)	4	12mm Nylon Lock Nuts
2	Bottom Spacer Plates (w-o hitch only)	8	4mm x 10mm Button Head Bolts
1	Sensor Cover Kit	1	2.5mm Wrench
4	Sensor Hole Plugs		



PROCEDURE:

REMOVE CONTENTS FROM BOX. VERIFY ALL PARTS ARE PRESENT. READ INSTRUCTIONS CAREFULLY BEFORE STARTING INSTALLATION. BUMPER IS HEAVY, ASSISTANCE IS HIGHLY RECOMMENDED TO AVOID POSSIBLE INJURY OR DAMAGE TO THE VEHICLE. BLIND SPOT WARNING SENSORS IN SIDES OF OE REAR BUMPER MUST BE DISCONNECTED AND CANNOT BE REINSTALLED.

1. Begin by verifying if your truck is equipped with Blind Spot Warning (BSW). This replacement bumper is not compatible with this technology and you will need to disable the program in the dashboard computer before disconnecting unit.
2. Start the installation by unplugging the license plate lights, towing harness plug and sensors if equipped, **(Figure 1)**. Move the wiring harness away from the bumper. Remove the license plate, license plate lights and towing harness plug from the bumper, **(Figure 2)**. **NOTE:** Installation may be easier with spare tire removed for additional access to hardware.
3. Place blocks or jack stands under the bumper to support it during bumper bolt removal. From under the bumper, release the clips attaching the top cover to the bumper, **(Figure 3)**. Remove the plastic cover from the top of the bumper.
4. Next, remove the factory Torx head bumper bolts from the bottom of the bumper, **(Figure 1)**. Remove the top mounting bolts attaching the bumper to the top of the hitch if equipped or inner bumper reinforcement and slide the bumper off the end of the frame, **(Figures 4 & 5)**. **WARNING!** Assistance is required to hold the bumper in place during hardware removal and to prevent the bumper from falling. **NOTE:** If preferred, bumper and hitch or reinforcement can all be removed from the frame as an assembly then separated off the vehicle. Reinstall hitch only if previously removed.
5. Select the passenger/right Frame Bracket. Determine correct installation for your vehicle.

**ELEVATION REAR BUMPER
2016-17 TITAN "XD" AND 2017 TITAN MODELS**

Models without factory receiver hitch

- a. Remove the bumper reinforcement from the ends of the frame and discard if still attached, (see Step 3).
- b. Hold the Passenger/right Mounting Bracket up to the bottom of the frame. Slide (1) Bottom Spacer Plate between the Bracket and the bottom of the frame, **(Figure 6)**. Reuse the (2) factory bolts to attach the Bracket and Spacer to the bottom of the frame, **(Figures 6 & 7)**. Leave hardware loose.
- c. Select (1) Side Spacer Plate. Insert the Side Spacer Plate between the tab on the side of the Bracket and the frame. Orient the Spacer to match the radius cut out of the side of the Bracket, **(Figures 6 & 7)**. Reuse the factory bolts to attach the Bracket and Spacer to the side of the frame. Snug but do not fully tighten hardware at this time.
- d. Repeat the above Steps to install the driver/left Mounting Bracket.

Models with factory receiver hitch

- a. Hold the Passenger/right Mounting Bracket up to the bottom and side of the hitch. Reuse the (4) factory bolts, (2 on side, 2 on bottom), to attach the Bracket to the hitch, **(Figures 6 & 8)**. Fully tighten Bracket to hitch hardware at this time. **NOTE:** Side and Bottom Spacers are not required on models with factory receiver hitch.
 - b. Repeat the previous Step to attach the driver/left Mounting Bracket.
6. Determine if the Bumper is equipped with back up sensors.

Models without bumper mounted sensors:

- a. Push the (4) sensor plugs into the sockets from the back of the bumper, **(Figure 9)**.
- b. Proceed to **Step 7**.

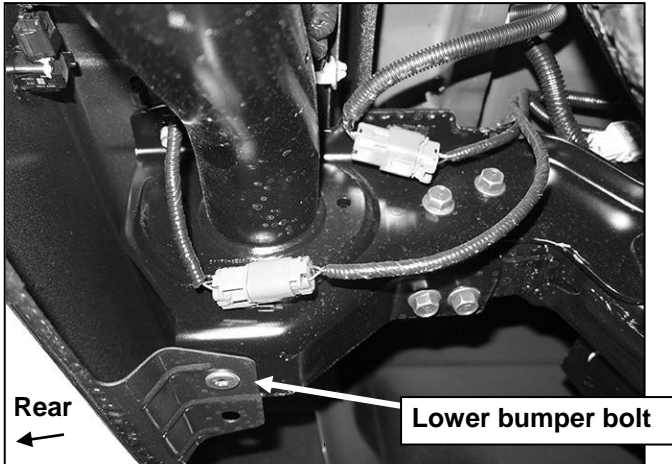
Models with rear facing bumper mounted sensors:

- a. Remove the sensors from the factory bumper.
 - b. Remove the rubber plugs from the sockets in the Evolution bumper, **(Figure 9)**.
 - c. Push each sensor in from the back of the bumper. Secure each sensor to the socket with (2) 4mm x 10mm Button Head Screws, **(Figure 9)**. **IMPORTANT:** Sensors fit snug in sockets. The 4mm Screws are used to apply slight pressure to lock the sensors in place. Do not overtighten screws.
 - d. Push sensor in until flush with outside surface of Bumper. Tighten both screws evenly until they touch the sensor body only. Do not overtighten screws or damage to sensors will result.
7. With assistance, position the Bumper up to the bumper brackets on the ends of the frame, **(Figure 10)**. Temporarily support the weight of the Bumper Assembly. **WARNING:** To avoid possible injury or damage to the vehicle, do not proceed until the Bumper is safely supported.
8. Line up the (2) mounting holes in the back of the passenger/right side of the bumper with the Mounting Bracket. Attach the Bumper to the Brackets with (2) 12mm Hex Bolts, (4) 12mm Flat Washers and (2) 12mm Nylon Lock Nuts, **(Figures 10, 11 & 12)**. Snug but do not fully tighten hardware at this time. Repeat to attach the driver/left side of the Bumper to the Bracket.
9. Slowly open the tail gate and check for clearance. Level and adjust the Bumper and fully tighten all hardware.
10. Snap the towing harness plug and license plate lights into the openings in the Bumper, **(Figure 13)**. If necessary, use a flat blade screwdriver to carefully pry the lock tab on the clip out to help lock the plug into place.
11. Connect the wiring harness to the license plate lights, trailer plug and back up sensors, (if equipped). Seal off any open unused wire connectors.
12. The Bumper has mounting locations for auxiliary back up or flood light installation. Check for clearance around lights before installing.
13. Insert the included (2) push-in plugs to attach the license plate to the Bumper, **(Figure 13)**.
14. Do periodic inspections to the installation to make sure that all hardware is secure and tight.

To protect your investment, wax this product after installing. Regular waxing is recommended to add a protective layer over the finish. Do not use any type of polish or wax that may contain abrasives that could damage the finish. Mild soap may be used to clean the Bumper assembly.

ELEVATION REAR BUMPER
2016-17 TITAN "XD" AND 2017 TITAN MODELS

Passenger side installation pictured



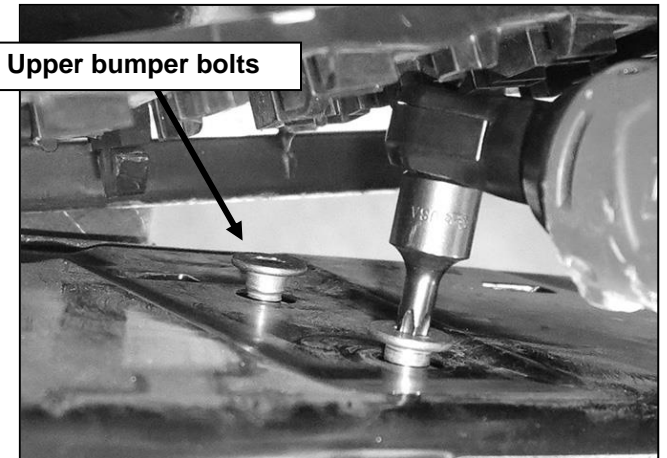
(Fig 1) Unplug wiring harness (driver side pictured)



(Fig 2) Unplug license plate lights and trailer connector. Remove lights and connector



(Fig 3) Release clips attaching top cover



(Fig 4) Remove upper bumper bolts (also see Figure 1 for lower bolt) and remove bumper assembly



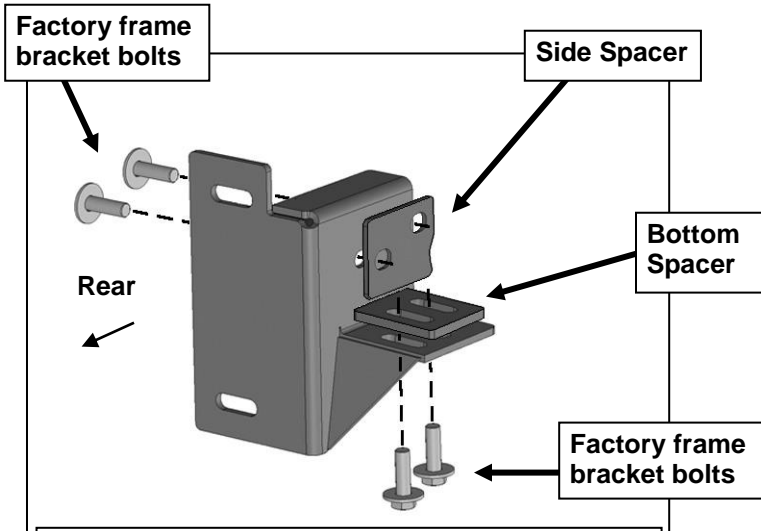
(Fig 5) Bumper completely removed, model without receiver hitch pictured

WARNING! Do not remove bumper bolts unless the bumper is properly supported on blocks or stands or the bumper may fall.

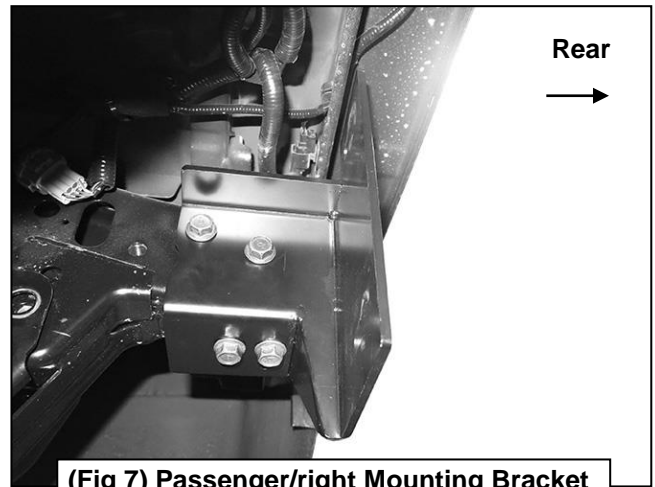
ELEVATION REAR BUMPER
2016-17 TITAN "XD" AND 2017 TITAN MODELS

Passenger side installation pictured

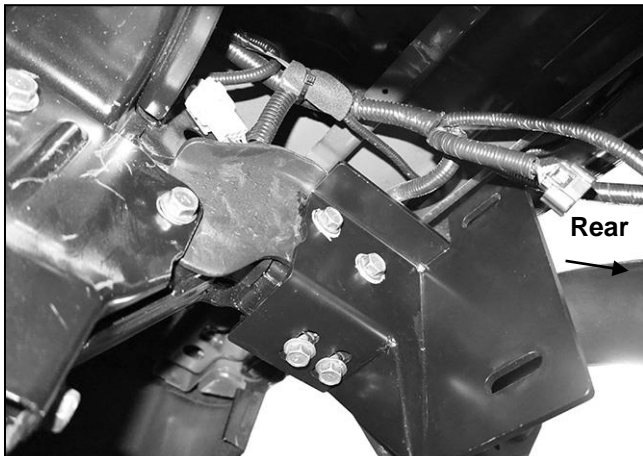
WARNING! Do not crawl under bumper unless the bumper is properly supported on blocks or stands or the bumper may fall.



(Fig 6) Passenger/right Mounting Bracket-Spacers required on models without hitch only

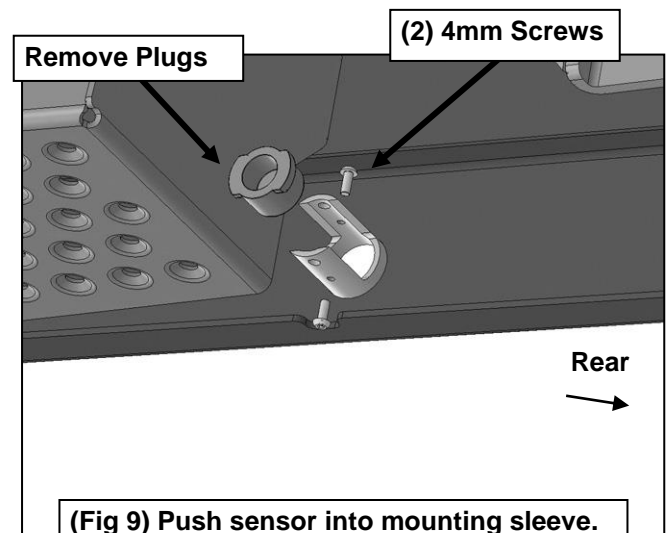


(Fig 7) Passenger/right Mounting Bracket installed on model without hitch



(Fig 8) Passenger/right Mounting Bracket attached directly to hitch. Spacers not required

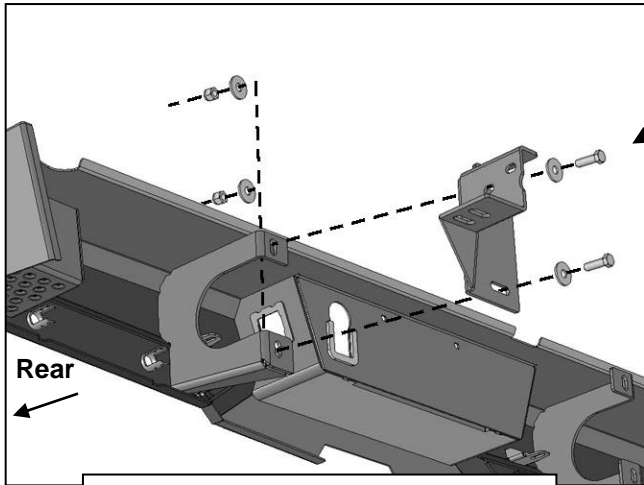
IMPORTANT: Sensors fit snug in sockets. The 4mm Screws are only used to apply slight pressure to lock the sensors in place. Tighten both screws evenly until they touch the sensor body only. Do not overtighten screws or damage to sensors will result.



(Fig 9) Push sensor into mounting sleeve. Use 4mm Screws to lock sensor in place.

**ELEVATION REAR BUMPER
2016-17 TITAN "XD" AND 2017 TITAN MODELS**

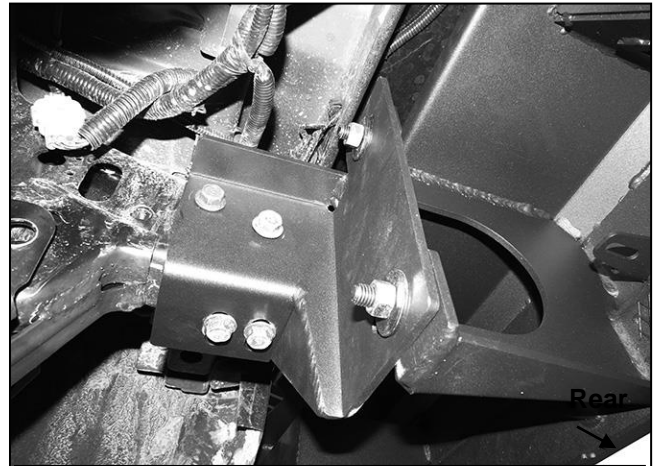
Passenger side installation pictured



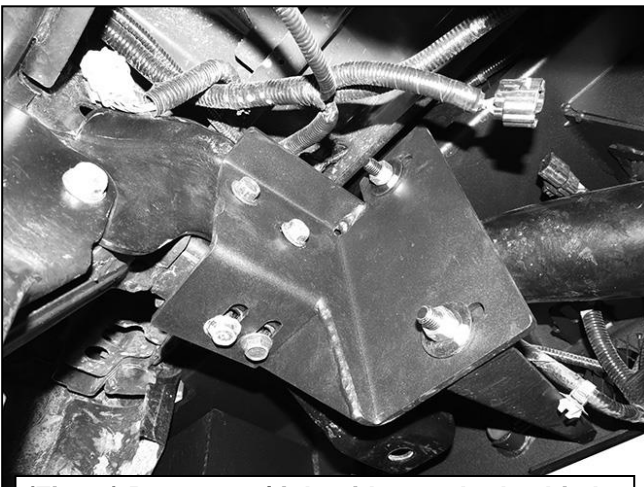
(Fig 10) Attach Bumper to Brackets

- (2) 12mm Hex Bolts
- (4) 12mm Flat Washers
- (2) 12mm Nylon Lock Nuts

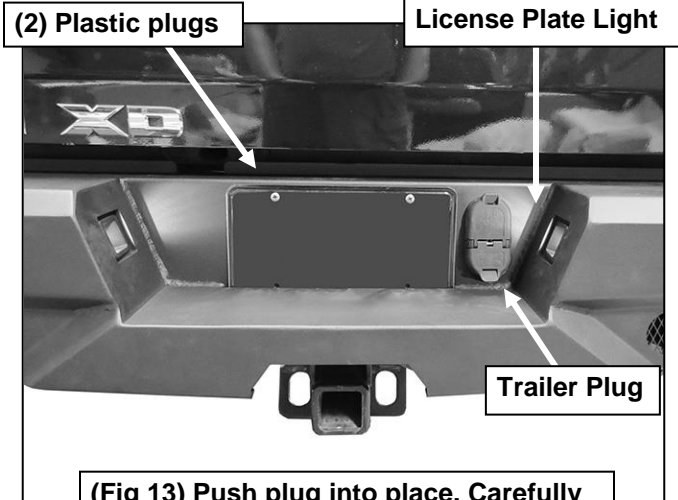
WARNING! Do not crawl under bumper unless the bumper is properly supported on blocks or stands or the bumper may fall.



(Fig 11) Passenger/right side attached w-o hitch



(Fig 12) Passenger/right side attached w-hitch



(Fig 13) Push plug into place. Carefully bend locking tab outward if necessary



Complete Installation