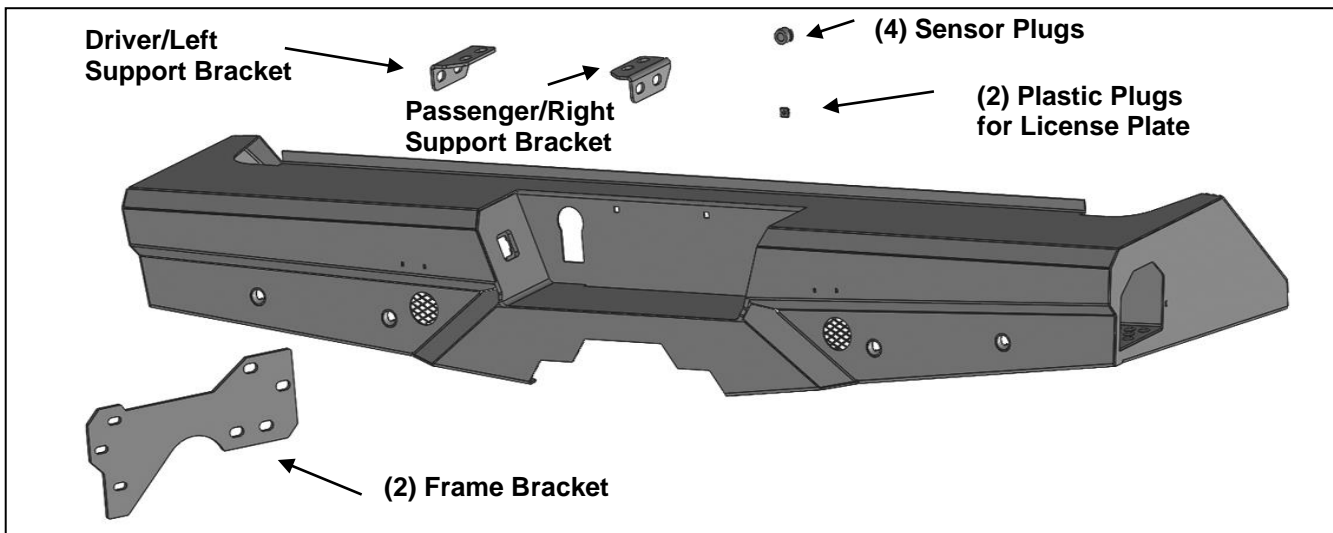




## ELEVATION REAR BUMPER 2015-16 TUNDRA

### PARTS LIST:

1	Elevation Rear Bumper	8	14mm Lock Washer
2	Frame Bracket	8	14mm Fine Thread Hex Nut
1	Driver/Left Support Bracket	6	10-1.5mm x 40mm Hex Bolt
1	Passenger/Right Support Bracket	12	10mm x 30mm x 2.5mm Flat Washer
4	Sensor plug	6	10mm Lock Washer
2	License Plate Plug	6	10mm Hex Nut
8	14-1.5mm x 55mm Fine Thread Hex Bolt	8	4mm Button Head Bolt
16	14mm x 28mm x 2.5mm Flat Washer	1	S=2.5 Allen Wrench



### PROCEDURE:

**REMOVE CONTENTS FROM BOX. VERIFY ALL PARTS ARE PRESENT. READ INSTRUCTIONS CAREFULLY BEFORE STARTING INSTALLATION. BUMPER IS HEAVY, ASSISTANCE IS RECOMMENDED TO AVOID POSSIBLE INJURY OR DAMAGE TO THE VEHICLE.**

1. Remove the license plate from the bumper. Next, unplug the license plate lights, trailer plug and sensors, (if equipped) **(Figure 1)**. Release the wiring harness from the clips attached to the back of the bumper. Move all wiring harnesses away from bumper.

#### **2. Determine if vehicle is equipped with factory receiver hitch**

##### **Models without Factory Receiver Hitch**

- a. Place blocks or jack stands under the bumper to support it during mounting bolt removal. Once the bumper has been safely supported, remove the factory hardware attaching the bumper to the frame and remove the bumper **(Figure 2)**.
- b. Select the Passenger/Right Support Bracket and attach it to the frame with (2) 14mm Hex Bolts, (4) 14mm Flat Washers, (2) 14mm Lock Washers, and (2) 14mm Hex Nuts **(Figure 7 & 8)**.
- c. Next, select the Passenger/Right Mounting Bracket and attach it to the outside of the frame and Passenger/Right Support Bracket with (2) factory bolts, (2) 14mm Hex Bolts, (4) 14mm Flat Washers, (2) 14mm Lock Washers, and (2) 14mm Hex Nuts **(Figure 9 & 11)**. Snug but do not fully tighten at this time.
- d. Repeat **Steps 2a & 2b** to attach the Driver/Left Support Bracket and the Driver/Left Mounting Bracket to the driver side

##### **Models with Factory Receiver Hitch**

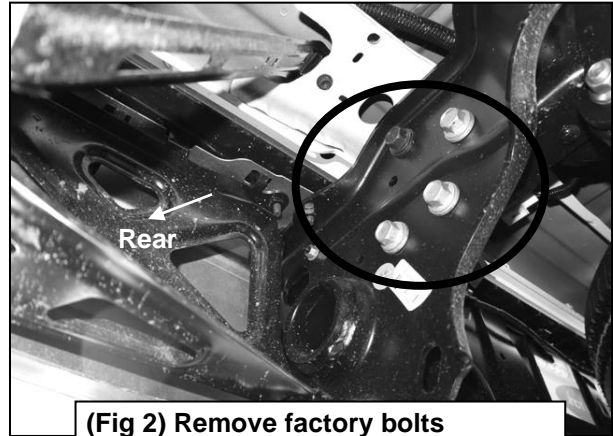
- a. Use a flat blade screwdriver to pry the plastic cover from the top of the rear bumper on the passenger and driver side edge **(Figure 3)**.



Passenger Side Installation Pictured

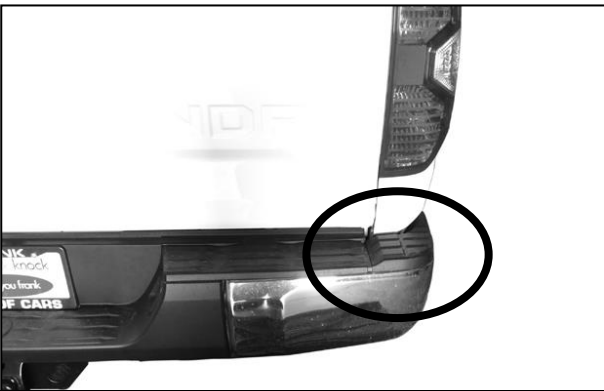


(Fig 1) Unplug and remove 7-wire trailer plug, unplug license plate lights and sensors if equipped

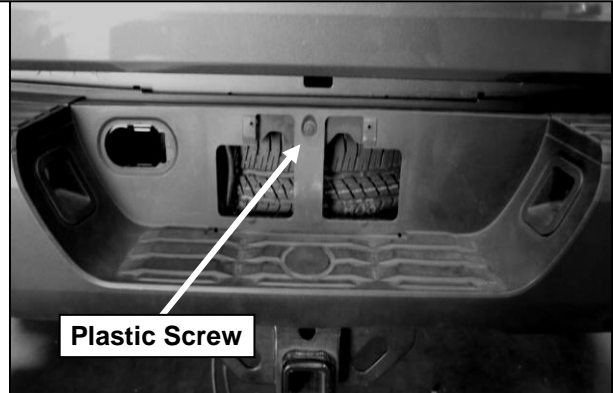


(Fig 2) Remove factory bolts attaching bumper assembly to frame

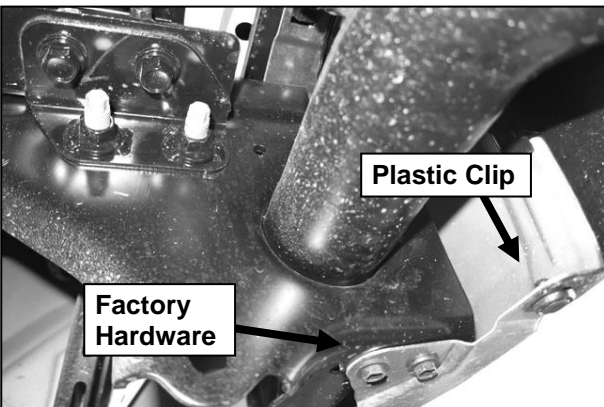
**WARNING!** Do not remove bumper bolts unless the bumper is properly supported on blocks or stands or the bumper may fall.



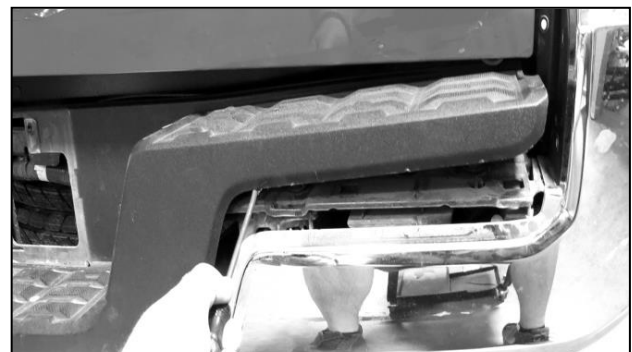
(Fig 3) Use a flat blade screwdriver to pry the plastic cover from the top of edges of the bumper



(Fig 4) Remove plastic screw previously under the license plate.



(Fig 5) Remove Factory Hardware and Plastic Clip from the underside of the bumper



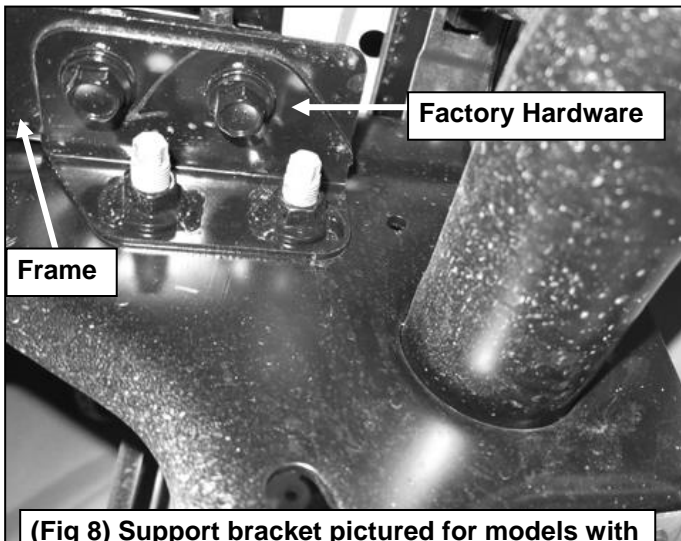
(Fig 6A) Remove center plastic piece on top of the bumper

Passenger Side Installation Pictured

**Note:** Fig 6 only shows some factory hardware that must be removed. Additional factory hardware may need to be removed to remove the bumper



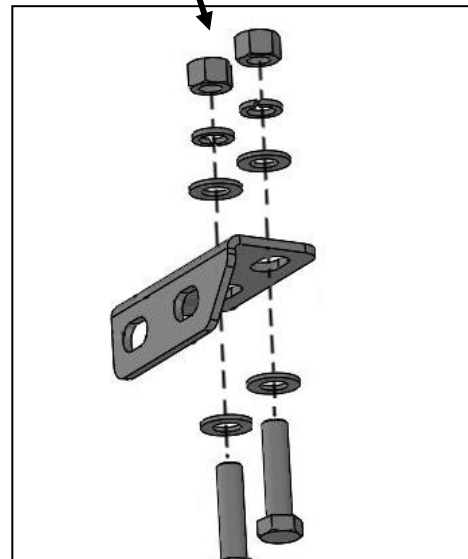
(Fig 6B) Remove factory hardware under the plastic pieces.



(Fig 8) Support bracket pictured for models with receiver hitch

**Note:** The support brackets that come with the kit install in the same place factory support brackets would be installed.

- (2) 14mm Hex Bolt
- (4) 14mm Flat Washer
- (2) 14mm Lock Washer
- (2) 14mm Hex Nut

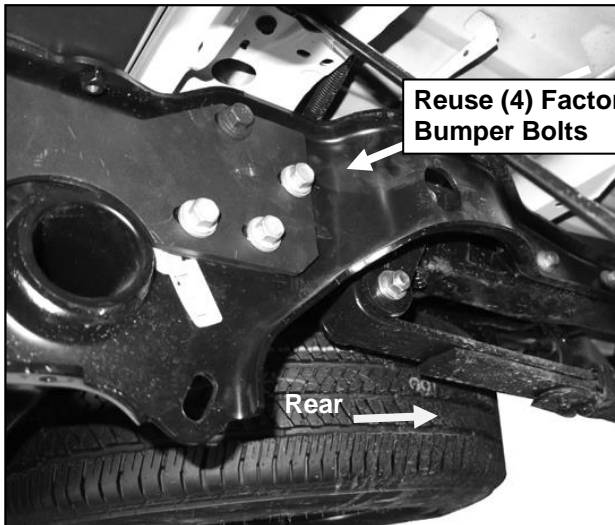


(Fig 7) Attach Support Bracket to frame  
(Required on models without receiver hitch only)



(Fig 9) Attach Mounting Bracket to the frame and support bracket. Note: the mounting bracket mounts to the outside of the receiver hitch for models with a receiver hitch.

Passenger Side Installation Pictured



Reuse (4) Factory  
Bumper Bolts

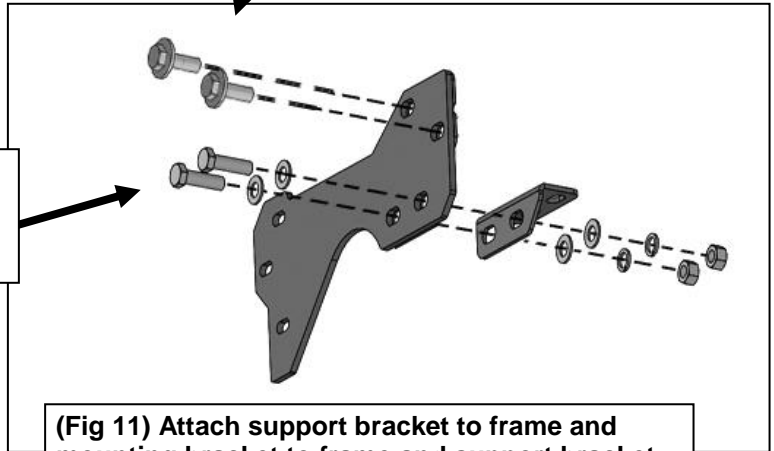
Rear

(Fig 10) Attach Mounting Bracket to receiver hitch.

**Note:** On models without a receiver hitch, the Mounting Bracket will be mounted on the outside of the frame.

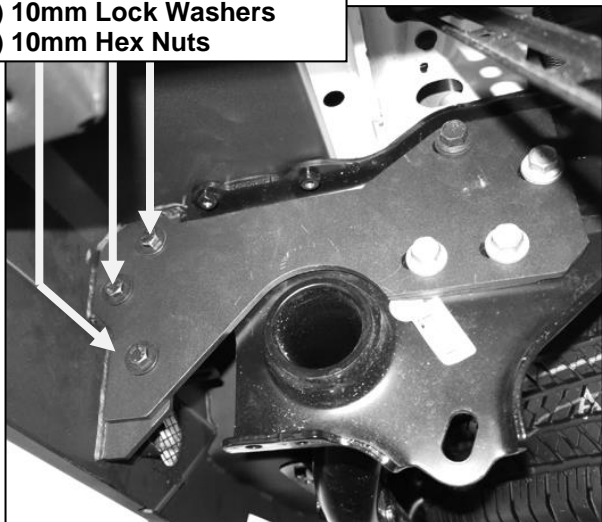
Reuse (2) Factory  
Bumper Bolts

(2) 14mm Hex Bolt  
(4) 14mm Flat Washer  
(2) 14mm Lock Washer  
(2) 14mm Hex Nut



(Fig 11) Attach support bracket to frame and mounting bracket to frame and support bracket. (Required on models without receiver hitch only)

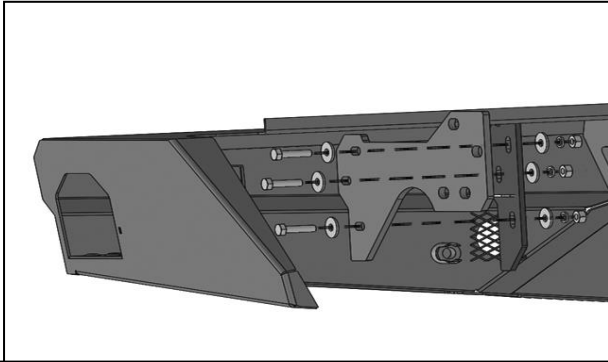
(3) 10mm x 40mm Hex Bolts  
(6) 10mm Flat Washers  
(3) 10mm Lock Washers  
(3) 10mm Hex Nuts



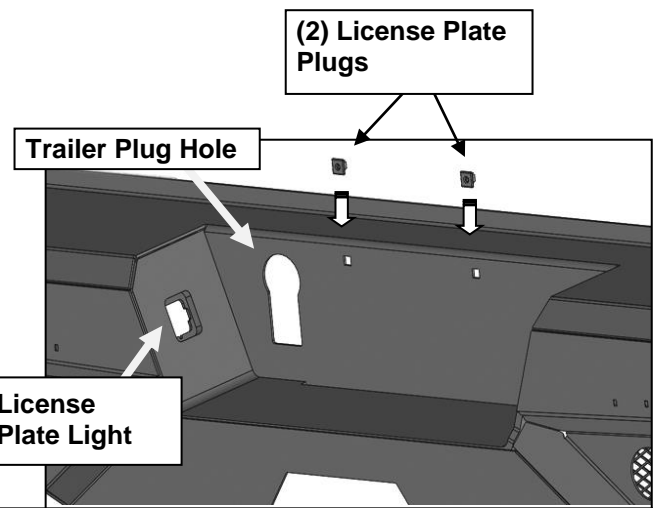
(Fig 12A) Attach Bumper Assembly to Mounting Brackets

**WARNING!** Do not crawl under bumper unless the bumper is properly supported on blocks or stands or the bumper may fall.

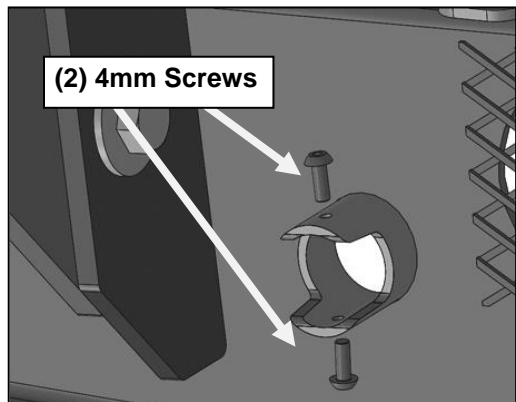
Passenger Side Installation Pictured



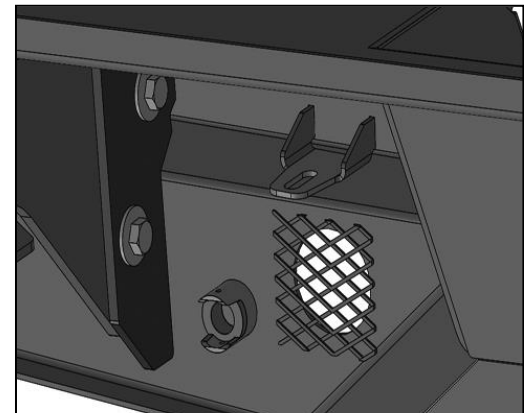
(Fig 12B) Attach Bumper Assembly to Mounting Brackets



(Fig 13) Push plastic plugs into holes for license plate



(Fig 14) Push sensor into mounting sleeve. Use 4mm Screws to lock sensor in place.



(Fig 15) Mounting Location for Light Installation



Complete Installation