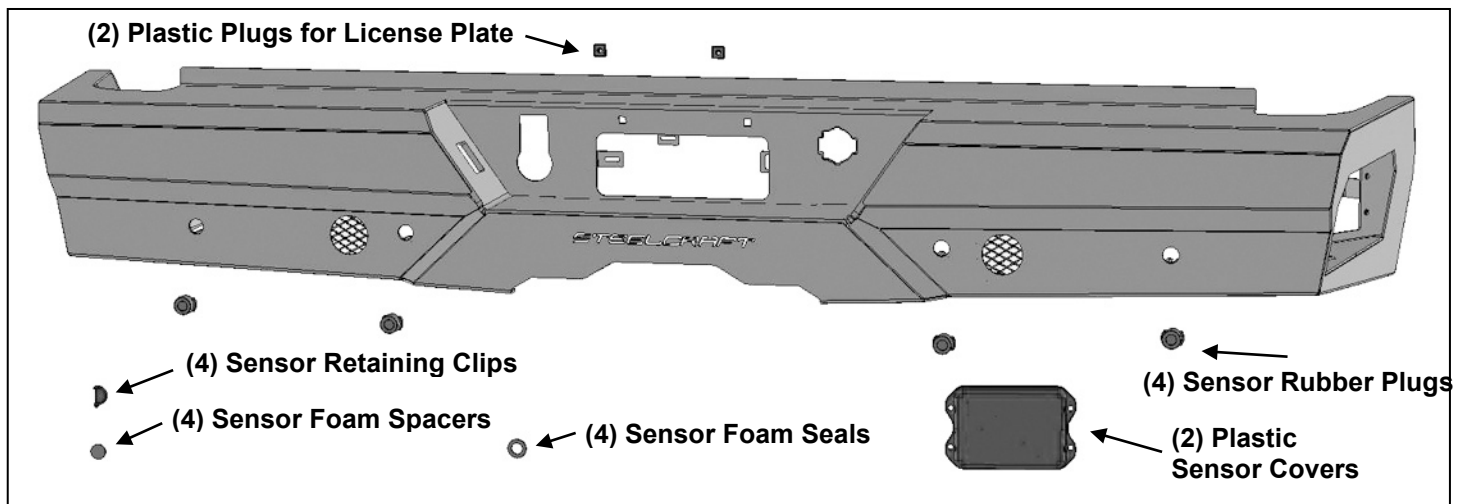


**ELEVATION REAR BUMPER
2019 SILVERADO 1500**

PARTS LIST:

1	Elevation Rear Bumper	4	12mm Nylon Lock Nuts
2	Plastic Plugs for License Plate	8	6-1.0mm x 20mm Button Bolts
4	Sensor Rubber Plugs	6	6mm x 20mm Hex Bolt
4	Sensor Foam Seals	20	6mm x 18mm x 1.6mm Flat Washers
4	Sensor Foam Spacers	14	6mm lock washers
4	Sensor Retaining Clips	14	6mm Hex Nuts
1	Sensor Cover Kit	8	4-0.75mm x 10mm Button Head Bolts
2	Plastic Sensor Covers	1	4mm Allen wrench
4	12-1.75mm x 40mm Hex Bolts	1	2.5mm Allen Wrench
8	12mm x 37mm x 3mm Flat Washers		



PROCEDURE:

REMOVE CONTENTS FROM BOX. VERIFY ALL PARTS ARE PRESENT. READ INSTRUCTIONS CAREFULLY BEFORE STARTING INSTALLATION. BUMPER IS HEAVY, ASSISTANCE IS HIGHLY RECOMMENDED TO AVOID POSSIBLE INJURY OR DAMAGE TO THE VEHICLE. EXCLUDES MODELS WITH BLIND SPOT MONITORING SYSTEM.

1. Remove the license plate and the (2) factory bolts behind the license plate, **(Figures 1 & 2)**.
2. Unplug the wiring harnesses leading to the bumper, **(Figure 3)**. Unplug the trailer plug, **(Figure 4)**.
3. Place blocks or jack stands under the bumper to support it during mounting bolt removal. Assistance is highly recommended to remove the bumper. Starting on the passenger/right side, remove the factory bolt attaching the side of the bumper to the bumper support bracket, **(Figure 5)**. Remove the (2) factory flange nuts attaching the bumper to the frame, **(Figure 6)**. Repeat this Step to remove the factory hardware on the driver/left side. With assistance, pull bumper straight out from vehicle.
4. Move the OE rear bumper to stable, clean, and flat surface. Unplug and remove the sensors, if equipped, trailer plug, license lights, remote antenna with TPMS assembly bracket & the spare tire access key, from the back of the bumper, **(Figures 7—9)**. Remove wire harness from bumper.
5. Determine if the vehicle is equipped with parking sensors, cross traffic sensors and remote antenna:

Models without bumper parking sensors:

 - a. Select the included (4) Rubber Plugs.
 - b. From behind bumper, push plugs into sensor mounting holes, **(Figure 10)**.

Models with bumper mounted parking sensors:

 - a. Remove the silicone seal from the end of the sensor. Slide the included Foam Washer over front of sensor, **(Figure 11)**.
 - b. Attach (1) Foam Spacer to (1) Retaining Clip, **(Figure 12)**.
 - c. Slide the sensor tabs into the sensor sleeve openings on the back of the Rear Bumper. Push and lock the Retaining Clip into the sensor sleeve holes, **(Figure 12)**.
 - d. Repeat the above steps for each rear sensor.

Models with Tire Pressure Monitoring System (TPMS):

- a. Select the factory remote antenna with TPMS assembly, **(Figure 13)**.
- b. Push the (3) clips on the TPMS assembly into the slots in the mounting tabs, **(Figure 14)**.

Models without cross traffic sensors:

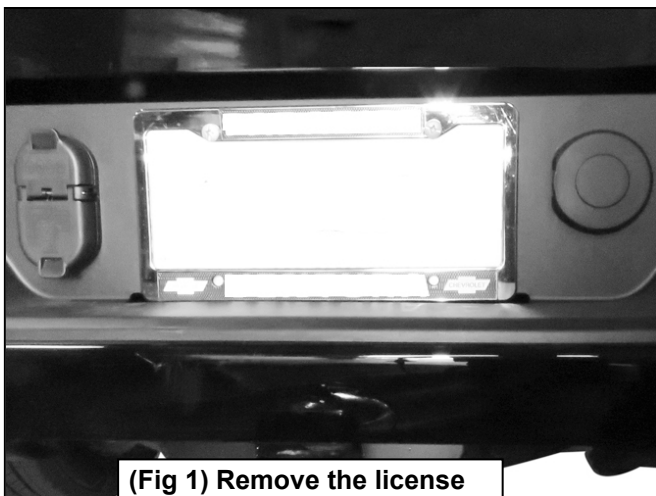
- a. Select (1) Plastic Cover. Attach the cover to the driver/left end of the Bumper with (4) Screws, (4) Flat Washers, (4) Lock Washers and (4) Hex Nuts, **(Figure 15)**. Repeat to install the Plastic Cover on the passenger/right side of the Bumper.

Models with cross traffic sensors

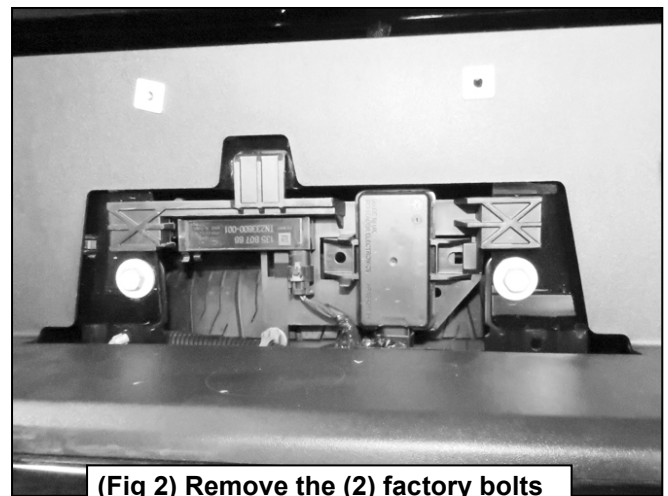
- a. Repeat previous Step to install (1) Plastic Cover, **(Figure 15)**.
 - b. Attach Sensor to mounting tabs with the included (2) Bolts, (4) Flat Washers, (2) Lock washers and (2) Hex Nuts, **(Figure 16)**.
 - c. Repeat this Step to attach the passenger/right cover and sensor.
6. Use the provided (2) Plastic Plugs to attach the license plate to the Rear Bumper, **(Figure 14)**. Select the driver/left side factory license light. Attach the license light to the back of the bumper using (1) 6mm Hex Bolt, (2) 6mm Flat Washers, (1) 6mm Lock Washer and (1) 6mm Hex Nut, **(Figure 17)**. Repeat Step to install the passenger side factory license plate light.
 7. Snap the trailer plug & spare tire access key into the openings in the Rear Bumper, **(Figure 14)**.
 8. Plug the sensors, license lights & remote antenna with TPMS assembly back into the bumper wire harness. **NOTE:** Run the wire harness over the light mounting tabs on the back of the Bumper to avoid any interference with the exhaust. **NOTE:** If necessary, cut the electrical tape on the wire harness to reach the outer sensors.
 9. Remove the (2) factory bolts holding the support bumper bracket to the frame, **(Figure 18)**.
 10. Temporarily support the weight of the Bumper. **WARNING:** To avoid possible injury or damage to the vehicle, do not proceed until the Bumper is fully and safely supported.
 11. With assistance, position the Bumper Assembly up to the frame. Attach the Bumper to the frame with the included (4) 12mm x 40mm Hex Bolts, (8) 12mm Flat Washers and (4) 12mm Nylon Lock Nuts, **(Figures 19 & 20)**. Do not fully tighten hardware at this time.
 12. Level and adjust the bumper and fully tighten all hardware. Slowly open tailgate and check for clearance. Adjust as necessary.
 13. Plug the main wire harness & trailer plug into the vehicle harness.
 14. Do periodic inspections to the installation to make sure that all hardware is secure and tight.

To protect your investment, Do not use any type of polish or wax that may contain abrasives that could damage the finish. Mild soap may be used to clean the Bumper assembly.

Passenger/right side installation pictured

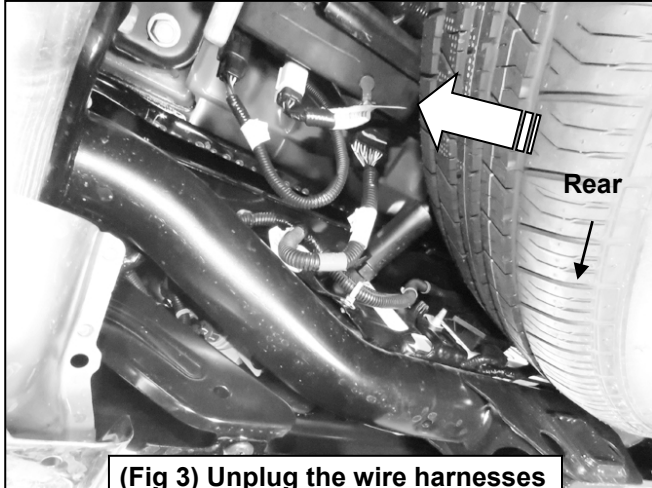


(Fig 1) Remove the license plate from the rear bumper

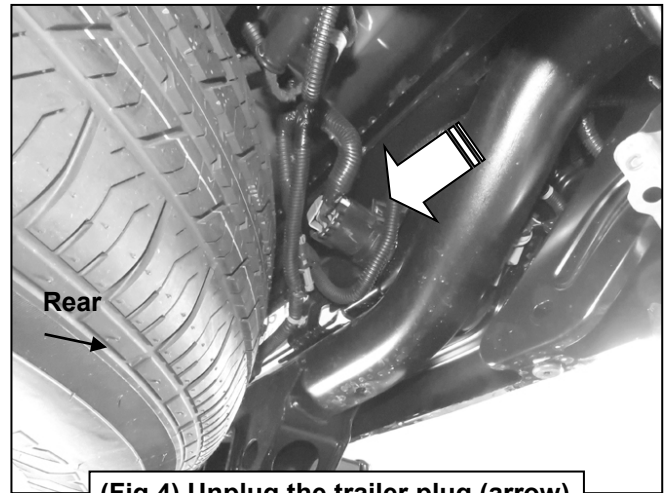


(Fig 2) Remove the (2) factory bolts from behind the license plate

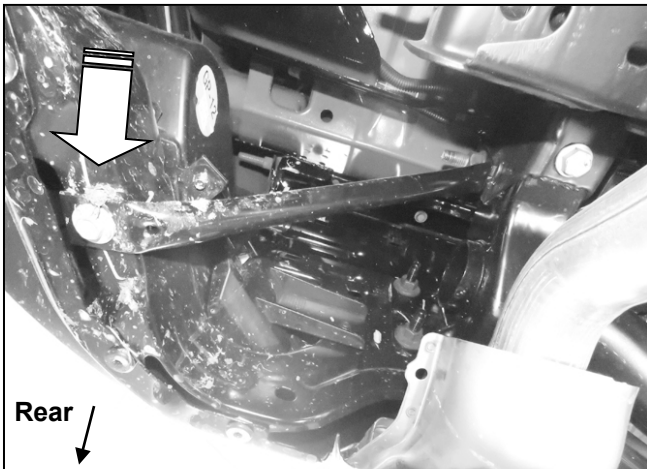
Passenger/right side installation pictured



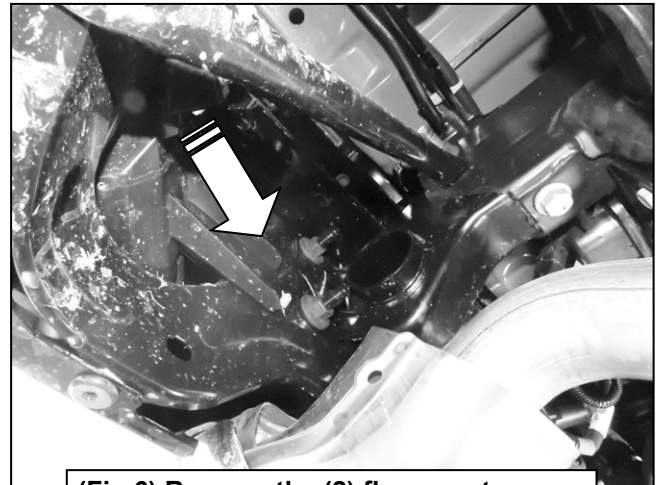
(Fig 3) Unplug the wire harnesses leading to the Bumper



(Fig 4) Unplug the trailer plug (arrow)



(Fig 5) Remove the bolts attaching the outer bumper supports to the bottom of the bumper (arrow)



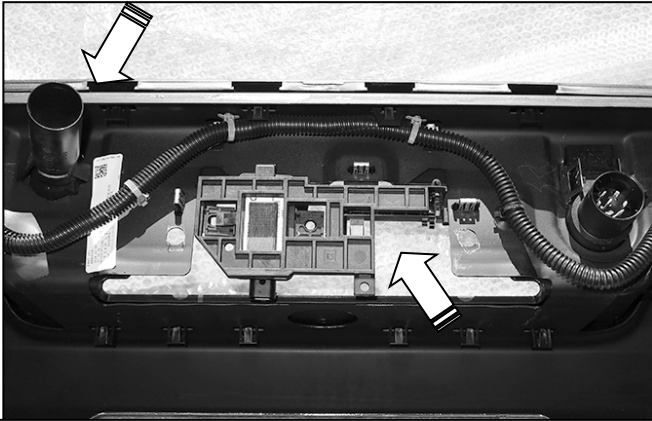
(Fig 6) Remove the (2) flange nuts per side attaching the bumper to the frame



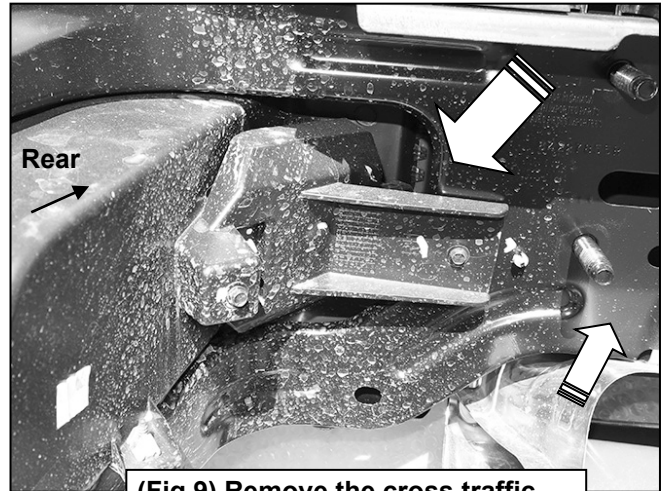
(Fig 7) Remove the license plate lights, the trailer plug and wiring harness

WARNING! Before removing hardware, fully support the weight of the bumper with blocks or stands to prevent injury or damage to the vehicle.

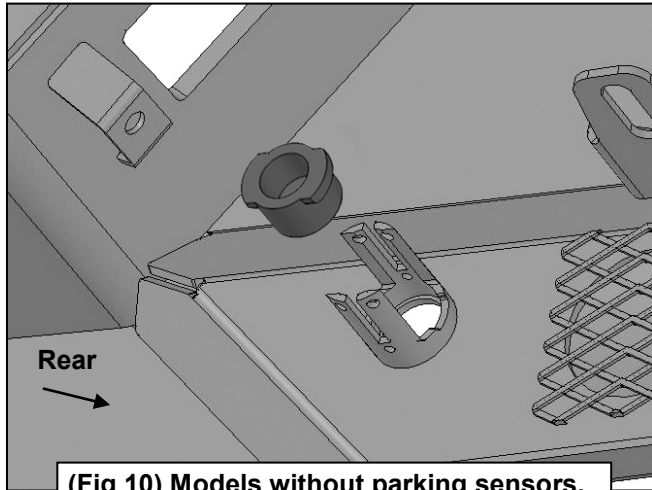
Passenger/right side installation pictured



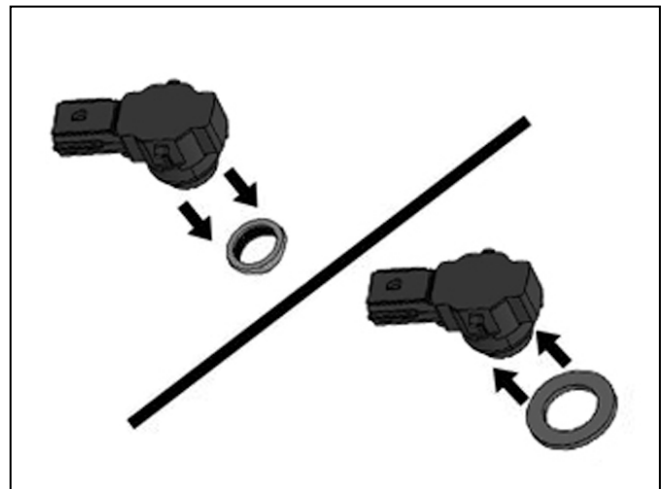
(Fig 8) Remove the sensors, remote antenna with TPMS assembly & spare tire access tube from the back of the bumper. Also remove wire harness.



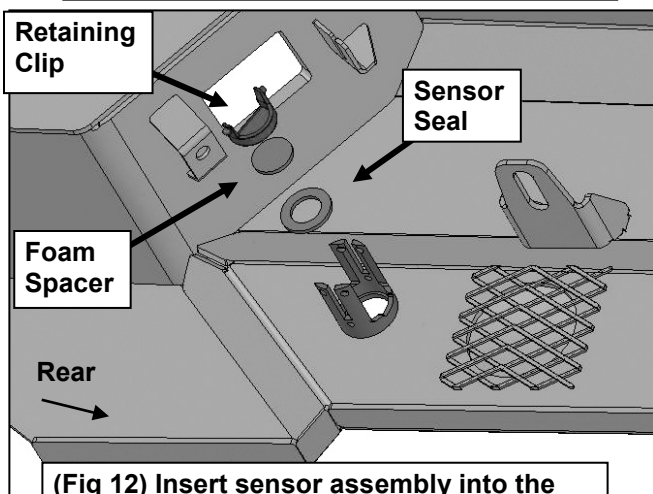
(Fig 9) Remove the cross traffic sensors (ACC) if equipped (arrow)



(Fig 10) Models without parking sensors, insert Rubber Plugs into sensor mounts

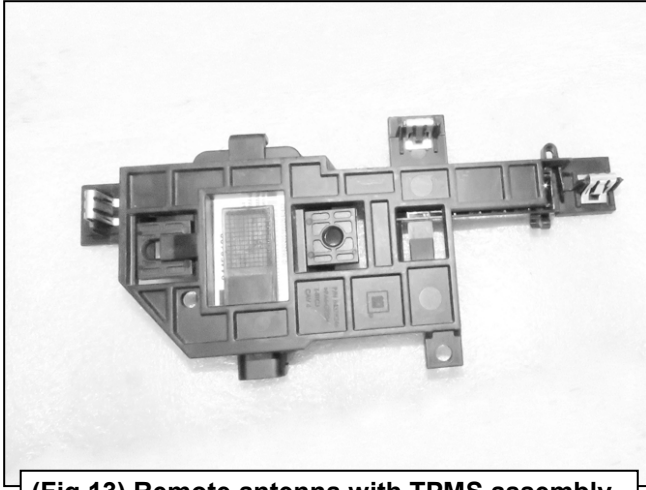


(Fig 11) Models with parking sensors, remove the silicone seal from sensor. Slide Foam Seal over end of sensor (arrow)

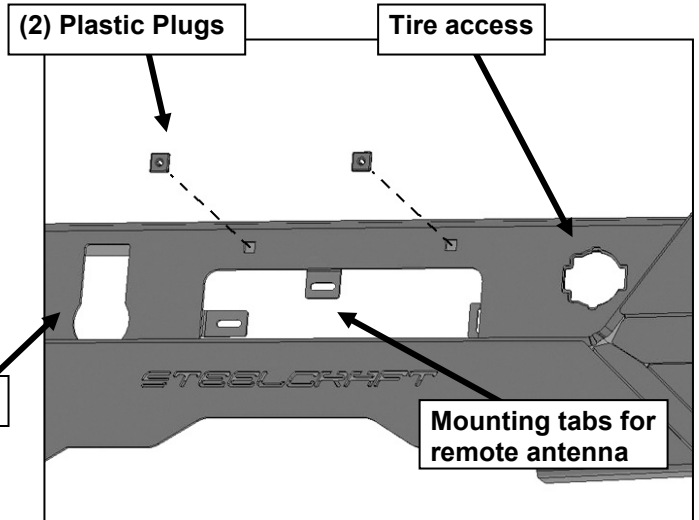


(Fig 12) Insert sensor assembly into the sensor sleeve. Secure with Retaining Clip.

Passenger/right side installation pictured

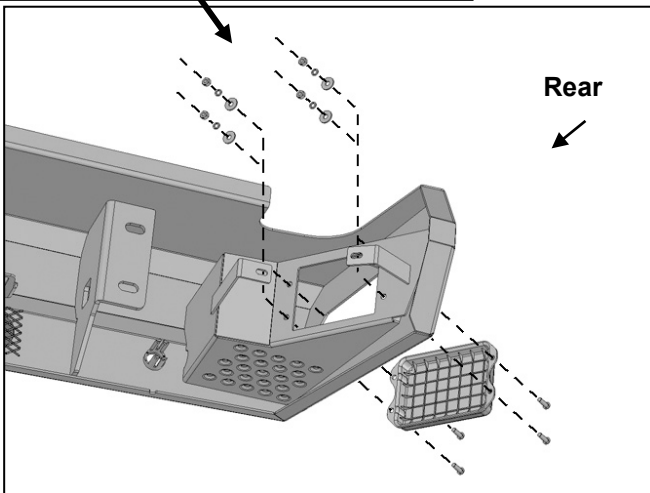


(Fig 13) Remote antenna with TPMS assembly



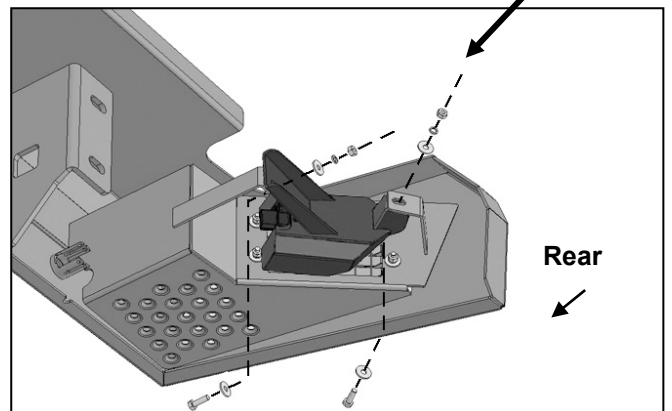
(Fig 14) Attach remote antenna assembly (Fig 13), to slots in mounting tabs. Push in license plate plugs, trailer plug and spare tire access tube

- (4) 6mm x 20mm Button Head Bolts
- (4) 6mm Flat Washers
- (4) 6mm Lock Washers
- (4) 6mm Hex Nuts



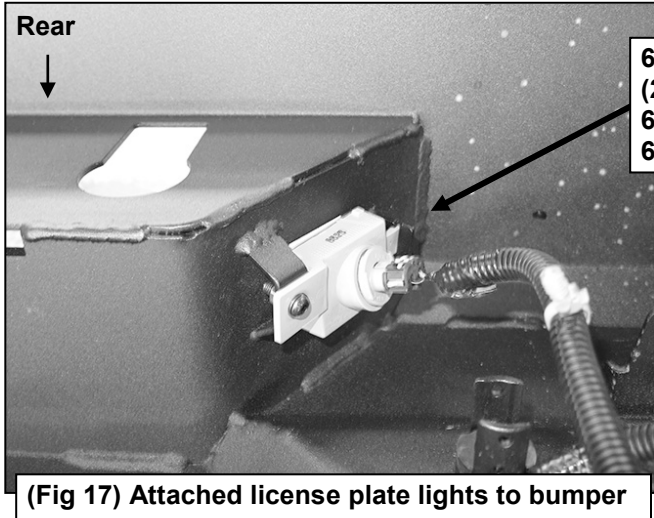
(Fig 15) Attach Plastic Cover to end of Bumper

- (2) 6mm x 20mm Hex Bolts
- (4) 6mm Flat Washers
- (2) 6mm Lock Washers
- (2) 6mm Hex Nuts



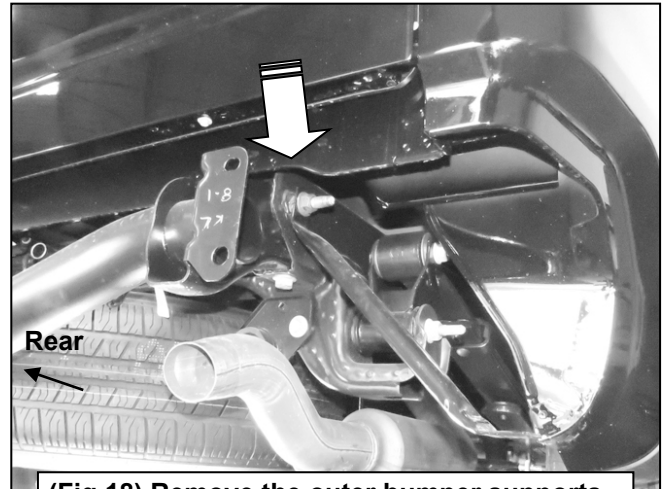
(Fig 16) Attach sensor to tabs on end of Bumper

Passenger/right side installation pictured



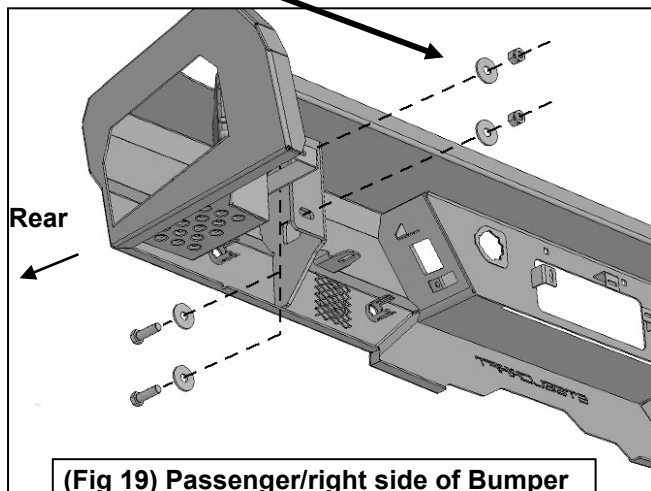
(Fig 17) Attached license plate lights to bumper

WARNING! Before removing hardware, fully support the weight of the bumper with blocks or stands to prevent injury or damage to the vehicle.



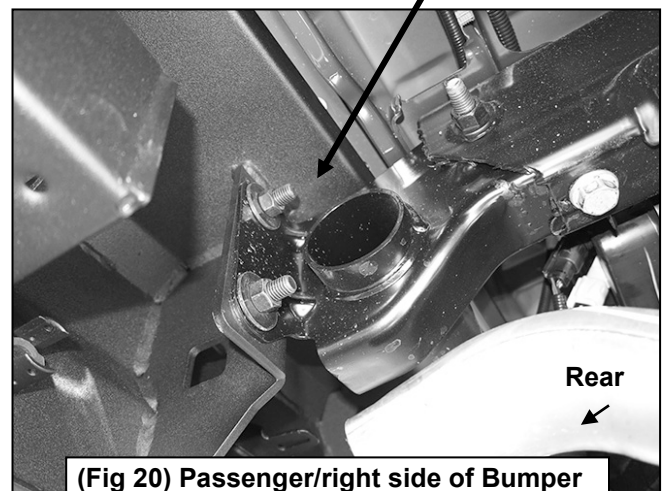
(Fig 18) Remove the outer bumper supports from both sides of the frame (arrow)

- (2) 12mm Hex Bolts
- (4) 12mm Flat Washers
- (2) 12mm Nylon Lock Nuts



(Fig 19) Passenger/right side of Bumper attached to the frame illustrated

- (2) 12mm Hex Bolts
- (4) 12mm Flat Washers
- (2) 12mm Nylon Lock Nuts



(Fig 20) Passenger/right side of Bumper attached to the frame pictured