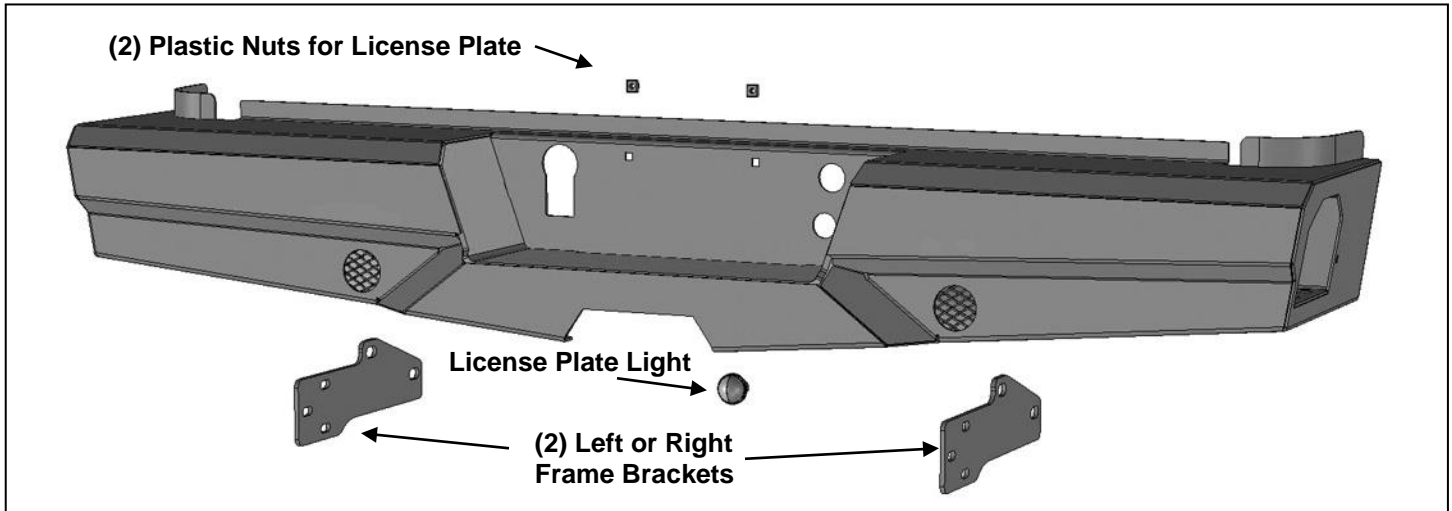


**ELEVATION REAR BUMPER
2015-17 CHEVY COLORADO**

PARTS LIST:

1	Elevation Bumper	6	10-1.5mm x 35mm Hex Bolts
2	Frame Brackets (L or R)	12	10mm x 30mm OD x 2.5mm Flat Washers
1	License Plate Light	6	10mm Lock Nuts
2	License Plate Plugs	6	10mm Hex Nuts



PROCEDURE:

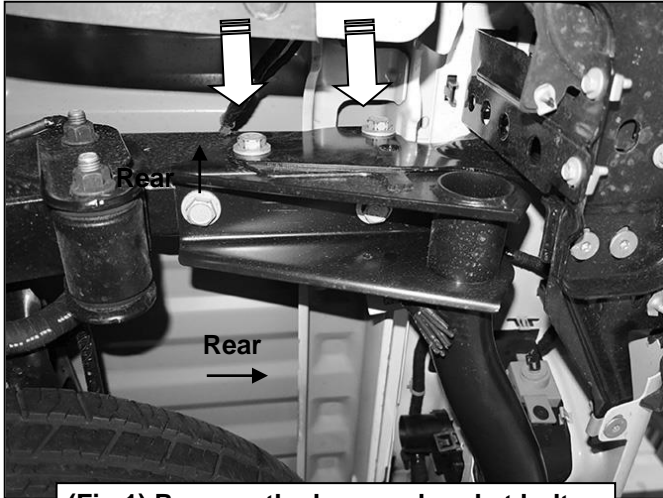
REMOVE CONTENTS FROM BOX. VERIFY ALL PARTS ARE PRESENT. READ INSTRUCTIONS CAREFULLY BEFORE STARTING INSTALLATION. BUMPER IS HEAVY, ASSISTANCE IS HIGHLY RECOMMENDED TO AVOID POSSIBLE INJURY OR DAMAGE TO THE VEHICLE.

1. Remove the license plate. Remove the trailer plug from the bumper. Release the wiring harness from the clips attached to the back of the bumper and move harness away from bumper as necessary.
2. Place blocks or jack stands under the bumper to support it during mounting bolt removal. Remove the hex bolts attaching the brackets to the outside of the frame and slide the bumper with brackets off of the frame, **(Figure 1)**.
3. Select (1) Frame Bracket, **(Figure 2)**. Reuse the factory hex bolts to attach the Bracket to the driver/left side of the frame. Repeat this Step to install the passenger/right side Bracket.
4. With assistance, position the Bumper Assembly up to the inside of the Frame Brackets, **(Figure 3)**. Temporarily support the weight of the Bumper. **WARNING:** To avoid possible injury or damage to the vehicle, do not proceed until the Bumper is fully and safely supported.
5. Attach the driver/left side of the Bumper to the Bracket with the included (3) 10mm x 35mm Hex Bolts, (6) 10mm Flat Washers, (3) 10mm Lock Washers and (3) 10mm Hex Nuts, **(Figures 3 & 4)**. Do not fully tighten hardware at this time. Repeat this Step to attach the passenger/right side of the Bumper to the Bracket.
6. Check the bumper to see if it is level. Slowly open the tailgate and check for clearance. Level and adjust the bumper and fully tighten the factory bracket hardware to 65-70ft-lbs. Tighten the 10mm hardware to 35-40ft-lbs.
7. Use the included (2) push-in Plastic Nuts to attach the rear license plate to the (2) holes in the Bumper, **(Figures 5 & 6)**.
8. Insert the License Plate Light into the hole in the bumper, **(Figures 5 & 6)**. Attach the License Plate Light wiring to the end of the factory license plate light wire harness. Reinstall the factory trailer harness plug into the opening in the bumper, **(Figure 6)**. **NOTE:** Use a small flat blade screwdriver to carefully bend the metal clips outward to help hold the plug in the bumper.
9. Do periodic inspections to the installation to make sure that all hardware is secure and tight.

**ELEVATION REAR BUMPER
2015-17 CHEVY COLORADO**

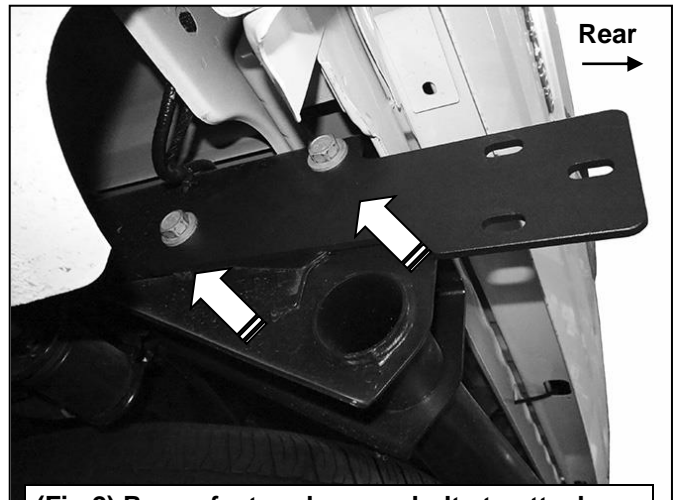
To protect your investment, wax this product after installing. Regular waxing is recommended to add a protective layer over the finish. Do not use any type of polish or wax that may contain abrasives that could damage the finish. Mild soap may be used to clean the Bumper assembly.

Driver/left side installation pictured



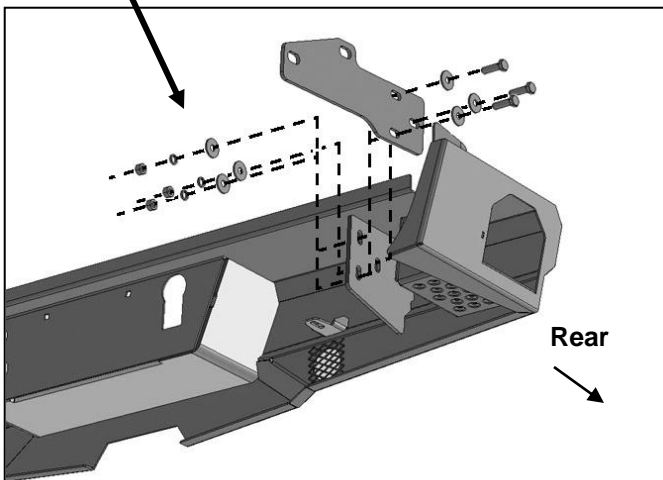
(Fig 1) Remove the bumper bracket bolts, (arrow), to remove bumper assembly. Driver/left side pictured from below

WARNING! Before removing hardware, fully support the weight of the bumper with blocks or stands to prevent injury or damage to the vehicle.



(Fig 2) Reuse factory bumper bolts to attach Frame Bracket to side of frame, (driver side)

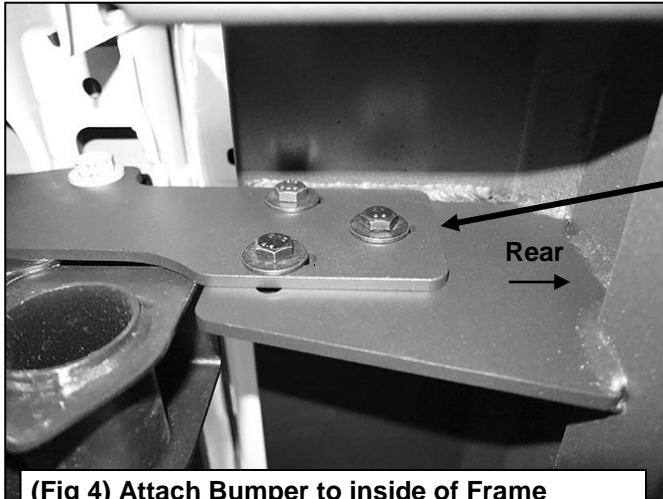
- (3) 10mm x 35mm Hex Bolts**
- (6) 10mm Flat Washers**
- (3) 10mm Lock Washers**
- (3) 10mm Hex Nuts**



(Fig 3) Attach Bumper to inside of Frame Brackets

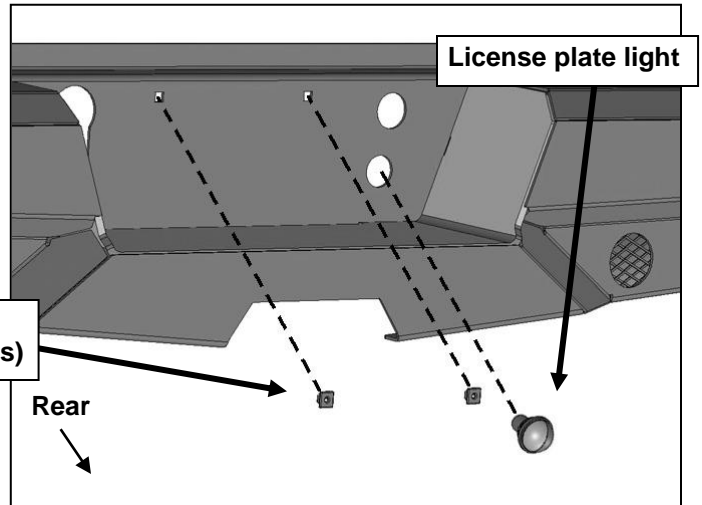
**ELEVATION REAR BUMPER
2015-17 CHEVY COLORADO**

Driver/left side installation pictured



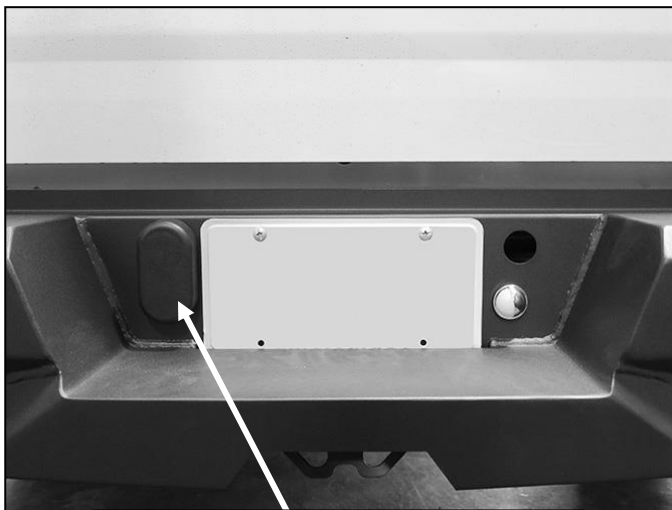
(Fig 4) Attach Bumper to inside of Frame Brackets (driver/left side pictured from below)

- (3) 10mm x 35mm Hex Bolts
- (6) 10mm Flat Washers
- (3) 10mm Lock Washers
- (3) 10mm Hex Nuts



- (2) License plate mounting nuts (plugs)

(Fig 5) Attach License Plate Light and (2) Plastic Plugs for the license plate



(Fig 6) Install trailer plug if equipped

- 10mm x 50mm Hex Bolt
- (2) 10mm Flat Washers
- 10mm Nylon Lock Nut

