



INSTALLATION INSTRUCTIONS

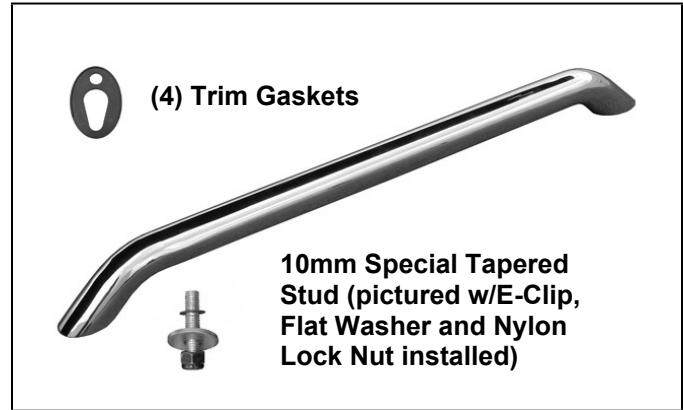
UNIVERSAL BOLT-ON BED RAIL

10mm Hardware

UNIVERSAL BOLT-ON BED RAIL

PARTS LIST:

Qty	Description
2	Bed Rails
4	Trim Gaskets
4	10-1.5mm x 50mm Special Studs (tapered w/8mm groove for e-clip)
4	10mm x 27mm OD x 3mm Flat Washers
4	10mm Nylon Lock Nuts
4	8mm E-Clips



PROCEDURE:

1. REMOVE CONTENTS FROM BOX. VERIFY ALL PARTS ARE PRESENT. READ INSTRUCTIONS CAREFULLY BEFORE STARTING INSTALLATION. DRILLING IS REQUIRED.
2. Starting on the passenger side of the vehicle, determine the approximate location for the Bed Rail and cover the top of the truck bed, (both ends), with masking tape to prevent damage to the finish during installation. Gently place the Bed Rail onto the vehicle and use a fine tipped marking pen to draw the outline of the front of the Bed Rail onto the masking tape, (Figure 1).

IMPORTANT: A minimum width of 1" of flat surface under the top edge of the bed is required for mounting hardware clearance. Check the underside of the bed for any obstructions before drilling. It is the installer's responsibility to check the mounting locations for both Bed Rails for proper hardware clearance before drilling.

3. Next, measure the width, side to side, of the outline and mark the center location on the tape, (Figure 2). Measure from the tip of the Bed Rail to the center of the threaded hole, (Figure 3), and transfer this measurement to the protective tape, (Figure 4). **NOTE:** Exact mounting location must be determined by the installer before drilling due to various models, options and material thicknesses. Always check to verify that the threaded hole for the Bed Rail is in the center of the tube. If not in the center, make necessary adjustments to the marks on the protective tape before drilling.
4. Measure the distance from the front edge of the bed to the center of the location marked to drill, (Figure 5), and record this measurement for the driver side installation. Also measure from the inner edge of the bed to the marked center line and transfer this measurement to the back mounting location, (Figure 6).
5. Measure the Bed Rail from the center of threaded hole to center of threaded hole and transfer this measurement to the rear mounting location, (Figure 7). Check under the top edge of the truck bed at both ends of the Bed Rail for adequate clearance. Once satisfied with the location, thread the 10mm Special Studs, (with E-Clips), into the Bed Rail, (Figure 8). Line up the tapered end on the 10mm Stud with the front drill location. With slight hand pressure, use the tapered end on the Stud to mark the back drill location onto the line on the tape, (Figure 9). Check measurements again and once satisfied, drill a 7/16" hole through both mounting locations marked on the top of the bed. **IMPORTANT:** To minimize the chance for damage, it is recommended that you start by center punching the spot first, then drill a small pilot hole and gradually increase drill bit size.

Important Drill Warning! Any cutting or drilling tool may break or shatter. Government regulations require safety glasses & equipment at all times when cutting or drilling.

6. Once the (2) holes have been drilled and cleaned, place Trim Gaskets between the Bed Rail and the vehicle and mount the Bed Rail to the bed with (2) 10mm Flat Washers and (2) 10mm Nylon Lock Nuts.
7. Repeat steps 2-6 for driver side Bed Rail installation.
8. Do periodic inspections to the installation to make sure that all hardware is secure and tight.

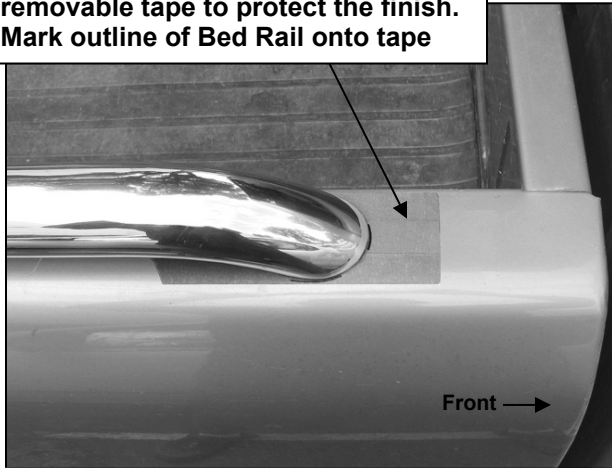
To protect your investment, wax this product after installing. Regular waxing is recommended to add a protective layer over the finish. Do not use any type of polish or wax that may contain abrasives that could damage the finish.

For stainless steel: Aluminum polish may be used to polish small scratches and scuffs on the finish. Mild soap may be used also to clean the Bed Rail.

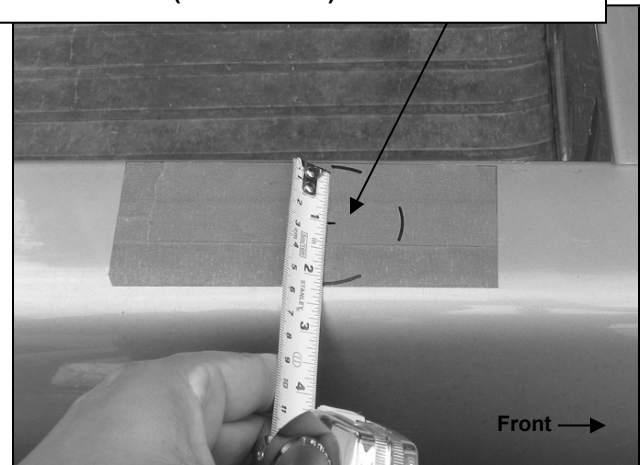
For gloss black finishes: Mild soap may be used to clean the Bed Rail.

Passenger Side Installation Pictured

Cover the top of the bed with removable tape to protect the finish. Mark outline of Bed Rail onto tape



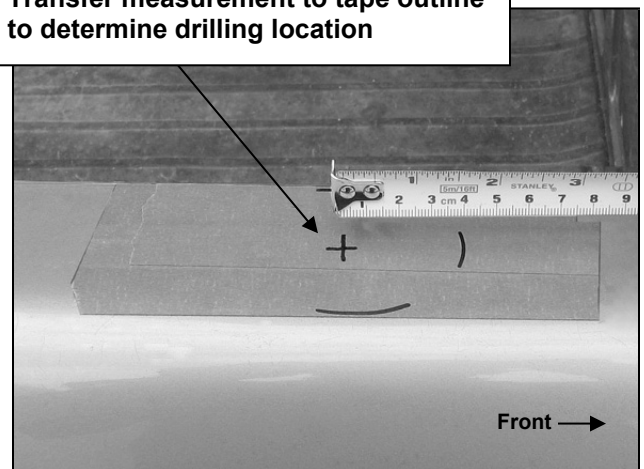
Locate center (side to side) of Bed Rail outline



Measure from tip of Bed Rail to center of threaded hole



Transfer measurement to tape outline to determine drilling location



Passenger Side Installation Pictured

Measure distance from edge of bed to Bed Rail drill point. Record this measurement and transfer dimensions to driver side for next installation

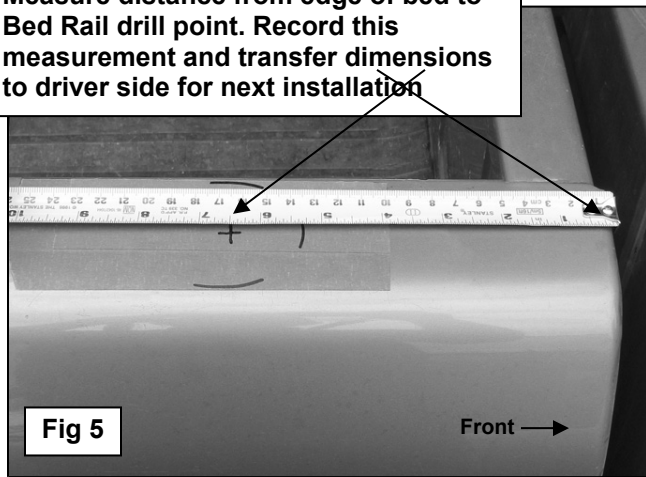
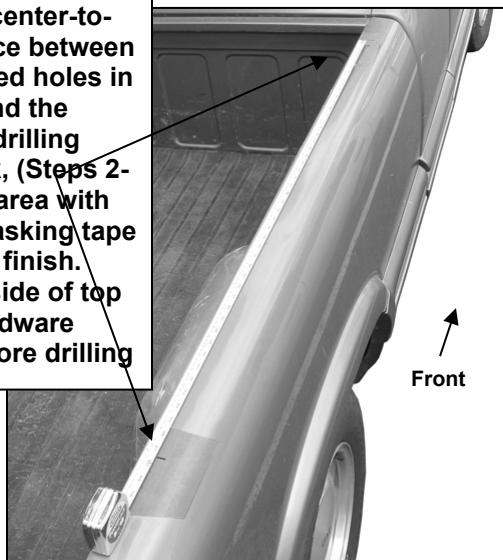


Fig 5

Measure distance from edge of bed (side) to Bed Rail center drill point. Record this measurement and transfer dimensions to the rear mounting location and to the driver side for next installation



Measure the center-to-center distance between the (2) threaded holes in Bed Rail to find the approximate drilling point for back, (Steps 2-3). Cover the area with removable masking tape to protect the finish. Check underside of top of bed for hardware clearance before drilling



Special 10mm Stud with E-Clip

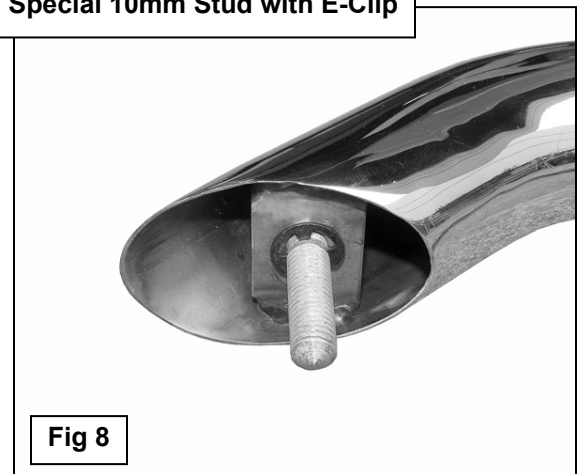


Fig 8

Hold the front of the Bed Rail in position with the point on the Stud in the center of the front drill location. Line up the rear Stud with the line scribed in Step 4, Fig 7. Use the point on the Stud to leave a small mark on the tape. Remove the Bed Rail and clearly mark the drill location. Drill a 7/16" hole through the front location. Insert the Bed Rail and check rear measurement before drilling through rear location

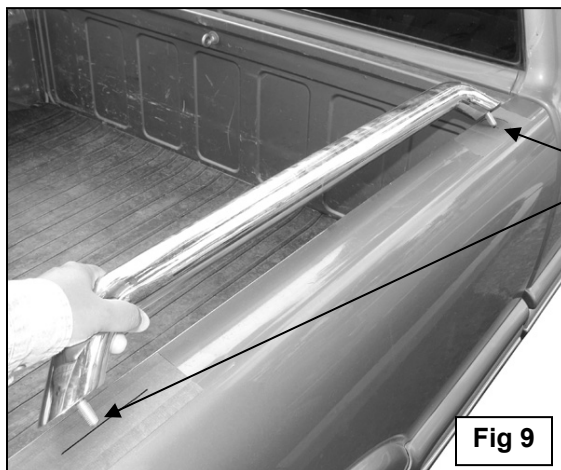


Fig 9