



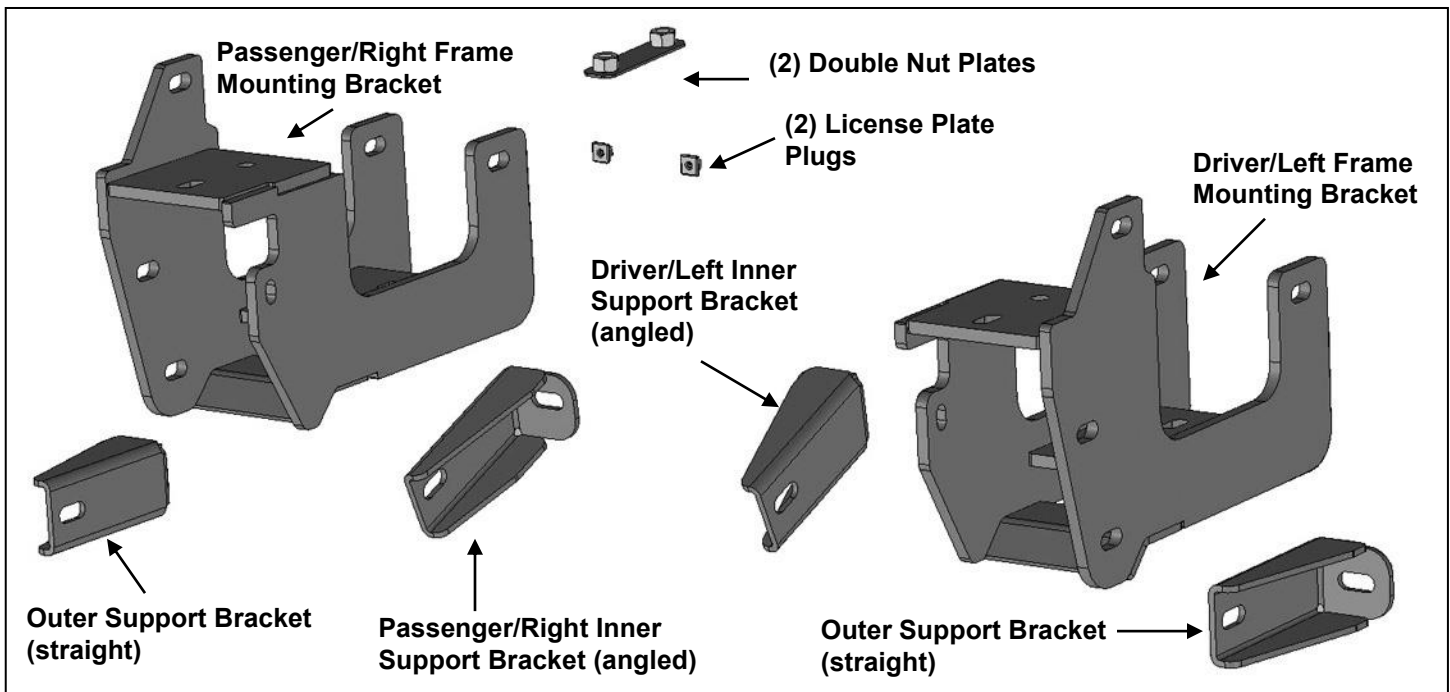
INSTALLATION INSTRUCTIONS

ELEVATION FRONT BUMPER

2009-14 FORD F150

PARTS LIST:

1	Front Bumper Assembly	20	12-1.75mm x 45mm Hex Bolts
1	Driver/Left Frame Mounting Bracket	40	12mm x 37mm x 3mm Flat Washers
1	Passenger/Right Frame Mounting Bracket	18	12-1.75mm Nylon Lock Nuts
1	Driver/Left Inner Support Bracket (angled)	4	12mm Lock Washers
1	Passenger/Right Inner Support Bracket (angled)	6	6mm x 25mm Hex Bolts
2	Outer Support Brackets (straight)	12	6mm x 18mm x 1.6 Flat Washers
2	12mm Double Nut Plates	6	6mm Nylon Lock Nuts
2	12-1.75mm x 170mm Hex Bolts	2	Plastic Plugs for license plate mount



PROCEDURE:

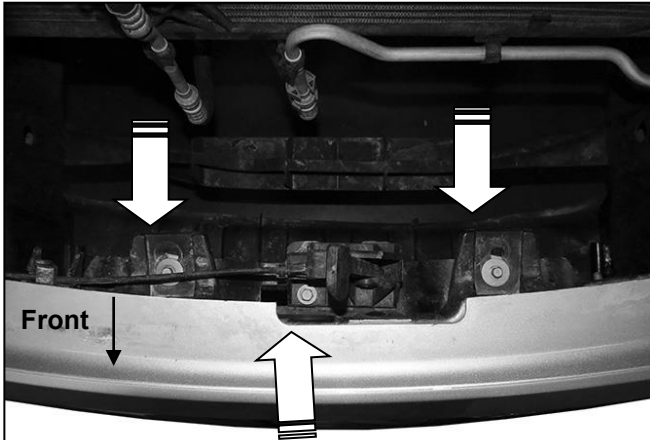
REMOVE CONTENTS FROM BOX. VERIFY ALL PARTS ARE PRESENT. READ INSTRUCTIONS CAREFULLY BEFORE STARTING INSTALLATION. BUMPER IS HEAVY, ASSISTANCE IS HIGHLY RECOMMENDED TO AVOID POSSIBLE INJURY OR DAMAGE TO THE VEHICLE.

1. Remove the license plate and bracket. Open the hood and remove the hardware attaching the hood release lever to the steel bracket attached to the back of the bumper, **(Figure 1)**. Also remove the screws attaching the back of the plastic fascia to the hood release bracket. On models with factory fog lights, unplug both lights and release the wiring harness from the clips attached to the back of the bumper. Move harness away from bumper.
2. Place blocks or jack stands under the front bumper to support it during mounting bolt removal. Once the bumper has been safely supported, remove the (2) large hex nuts from the back of each bumper bracket, **(Figure 2)**. **WARNING!** Assistance is required to hold the bumper in place during bolt removal to prevent the bumper from falling. Carefully slide the bumper off over the tow hooks. Next, remove the air dam from the bottom of the frame, **(Figure 3)**.
3. Remove the driver side tow hook, (if equipped), from the bottom of the frame. Leave the factory double nut plate inside the frame, **(Figure 4)**. On models without tow hook, insert (1) Double Nut Plate into the open end of the frame, **(Figure 4)**.
4. Next, select the driver side Frame Mounting Bracket, **(Figure 5)**. Attach the Bracket to the bottom of the frame and Double Nut Plate with (2) 12mm x 45mm Hex Bolts, (2) 12mm Lock Washers and (2) 12mm Flat Washers, **(Figures 5 & 6)**. Leave hardware loose at this time.
5. Insert (1) 12mm x 170mm Long Hex Bolt with (1) 12mm Flat Washer through the outside of the mounting tab on the Frame Bracket, through the frame and inner tab, **(Figure 7)**. Secure with (1) 12mm Flat Washer and (1) 12mm Nylon Lock Nut, **(Figures 7 & 8)**. Do not fully tighten hardware.

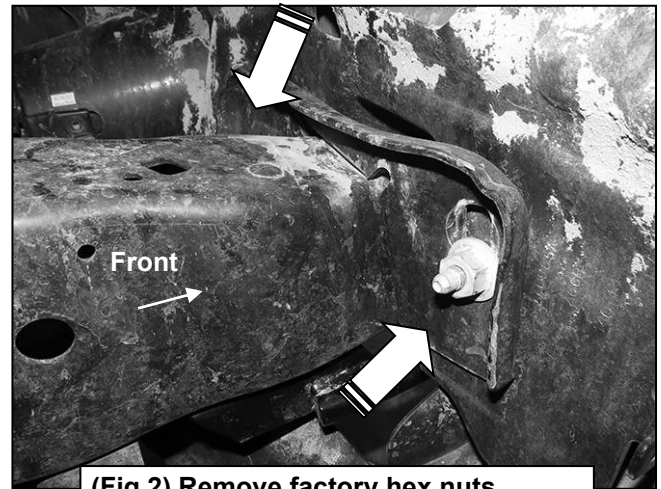
6. On models with tow hooks, reuse the factory hardware and Double Nut Plate to attach the driver side tow hook to the inside of the Frame Bracket, **(Figure 9)**. Fully tighten the tow hook hardware only.
7. Select the driver side angled Inner Support Bracket. Line up the bent end of the Support Bracket with the slot in the bumper mounting flange on the frame. Attach the Support Bracket to the mounting flange with (1) 12mm x 45mm Hex Bolt, (2) 12mm Flat Washers and (1) 12mm Nylon Lock Nut, **(Figure 9)**. Line up the forward end of the Support Bracket with the hole in the side of the Frame Bracket. Attach the Support Bracket to the Frame Bracket with (1) 12mm x 45mm Hex Bolt, (2) 12mm Flat Washers and (1) 12mm Nylon Lock Nut, **(Figures 9 & 10)**. Do not fully tighten hardware at this time.
8. Repeat **Steps 3—7** to install the passenger side Frame Bracket and Inner Support Bracket assembly.
9. Remove the steel bracket attached to the back of the original bumper for the hood release, **(Figure 11)**. Reuse the factory hardware to attach the bracket to the mounting tabs on the back of the plastic fascia. Reattach the hood release lever to the steel bracket, **(Figure 12)**. Tighten hardware at this time.
10. With assistance, position the Bumper Assembly up to and over the Frame Brackets. Temporarily support the weight of the Bumper. **WARNING:** To avoid possible injury or damage to the vehicle, do not proceed until the bumper is fully and safely supported.
11. Line up the **top and bottom holes** in the driver side Frame Bracket with the holes in the inner mounting plate on the back of the Bumper. Attach the Bumper to the Bracket with the included (2) 12mm x 45mm Hex Bolts, (4) 12mm Flat Washers and (2) 12mm Nylon Lock Nuts, **(Figure 13)**. Snug but do not tighten hardware at this time. Repeat this **Step** to attach the passenger side of the Bumper to the Frame Bracket.
12. Select (1) Straight Outer Support Bracket. Line up the Support Bracket with the slot in the bumper mounting flange on the driver side of the frame. Attach the Support Bracket to the mounting flange with (1) 12mm x 45mm Hex Bolt, (2) 12mm Flat Washers and (1) 12mm Nylon Lock Nut, **(Figure 14)**. Line up the forward end of the Support Bracket with the hole in the side of the mounting plate on the Bumper and the Frame Bracket. Attach the Support Bracket to the Frame Bracket with (1) 12mm x 45mm Hex Bolt, (2) 12mm Flat Washers and (1) 12mm Nylon Lock Nut, **(Figures 14 & 15)**. Do not fully tighten hardware at this time. Repeat this **Step** to attach the passenger side outer Support Bracket.
13. Level and adjust the bumper and fully tighten all hardware to 65-70ft-lbs.
14. **Models with fog lights:**
 - a. Remove both fog light assemblies from the back of the original bumper, **(Figure 16)**.
 - b. Line up the driver side fog light assembly with the (3) mounting tabs welded onto the back of the bumper. Attach the fog light assembly to the tabs with the included (3) 6mm x 25mm Hex Bolts, (6) 6mm Flat Washers and (3) 6mm Nylon Lock Nuts, **(Figure 17)**. Mounting tabs may move during shipping. Use hand tools to carefully adjust mounting tabs to line up flat with plastic fog light housing. **IMPORTANT:** Do not overtighten 6mm hardware attaching fog light to Bumper or plastic housing may be damaged.
 - c. Repeat to install the passenger side fog light assembly.
 - d. Reattach the factory wiring harness to both lights.
15. Use the included (2) push-in plastic nuts to attach the front license plate, (if required), to the (2) holes in the front bumper, **(Figure 18)**.
16. Do periodic inspections to the installation to make sure that all hardware is secure and tight.

To protect your investment, wax this product after installing. Regular waxing is recommended to add a protective layer over the finish. Do not use any type of polish or wax that may contain abrasives that could damage the finish. Mild soap may be used to clean the Front Bumper assembly.

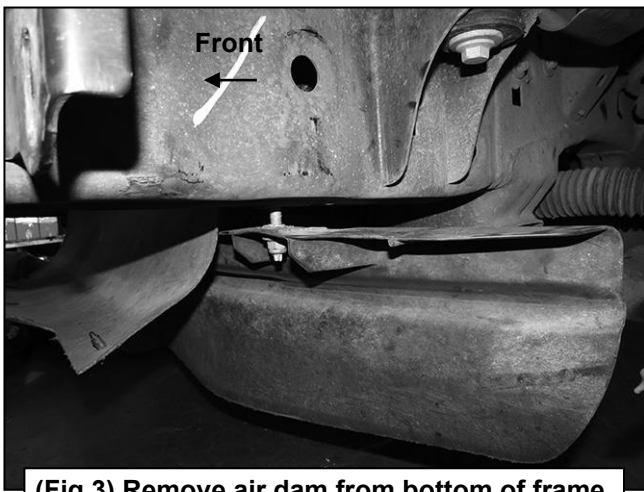
Driver Side Installation Pictured



(Fig 1) Remove screws attaching hood latch to bracket and bracket to bumper (arrows)

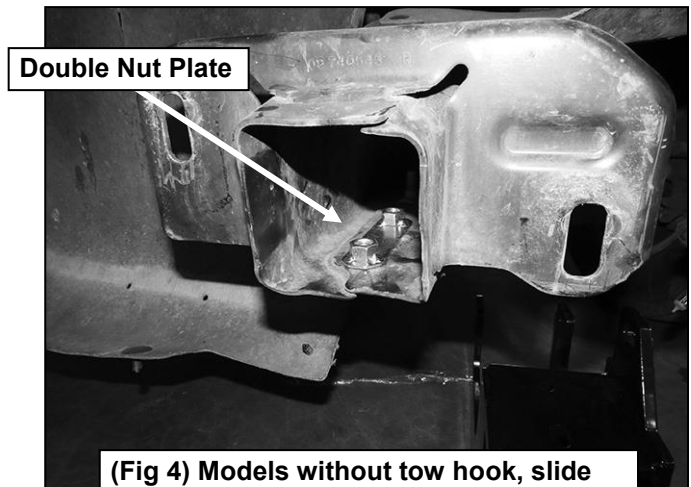


(Fig 2) Remove factory hex nuts (arrows) from back of bumper bracket

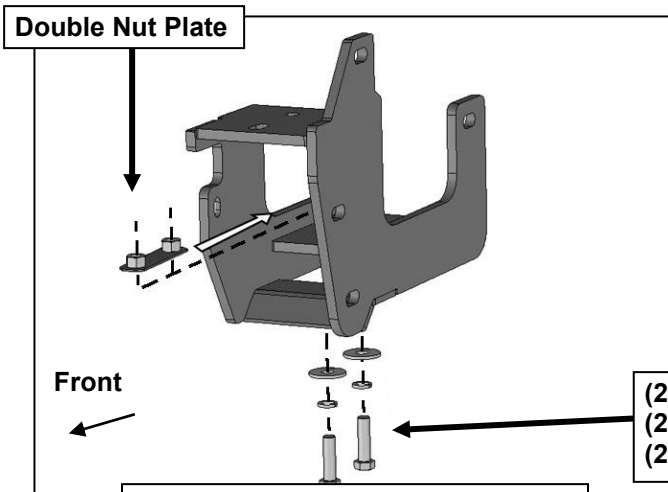


(Fig 3) Remove air dam from bottom of frame

WARNING! Do not remove bumper bolts unless the bumper is properly supported on blocks or stands or the bumper may fall.



(Fig 4) Models without tow hook, slide Double Nut Plate into open end of frame. Models with tow hook, remove tow hook from bottom of frame and leave factory nut plate in place in frame



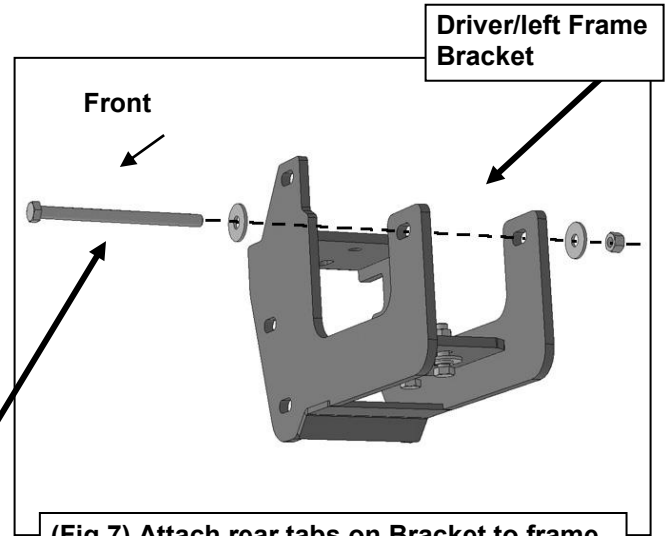
(Fig 5) Attach Driver/left Frame Bracket to Double Nut Plate (Fig 6)

Driver Side Installation Pictured



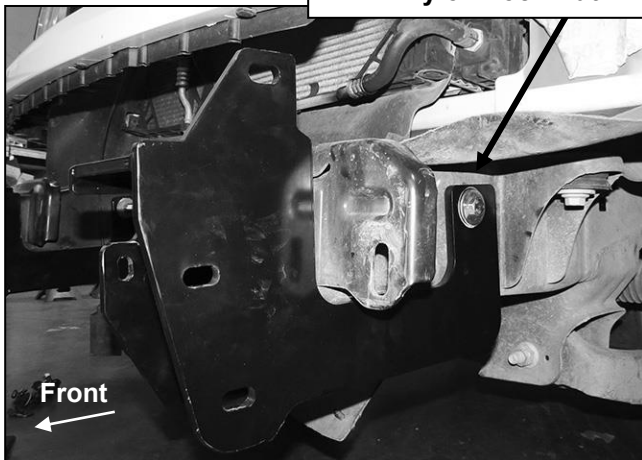
- (2) 12mm x 45mm Hex Bolts
- (2) 12mm Lock Washers
- (2) 12mm Flat Washers

(Fig 6) Driver/left Frame Bracket pictured from below



- 12mm x 170mm Long Hex Bolt
- (2) 12mm Flat Washers
- 12mm Nylon Lock Nut

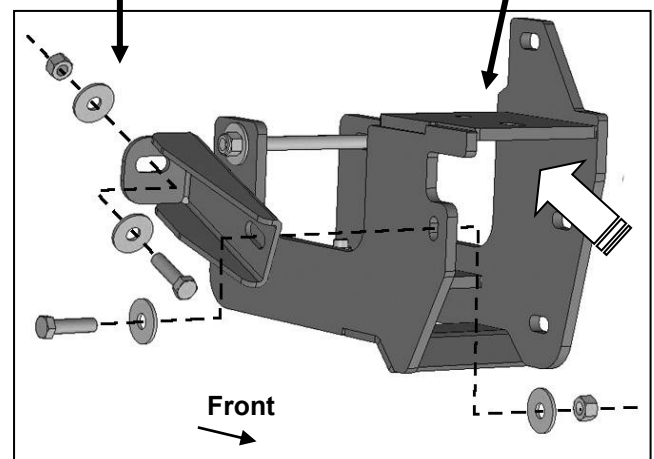
(Fig 7) Attach rear tabs on Bracket to frame



- 12mm x 45mm Hex Bolt
- 12mm Lock Washer
- 12mm Flat Washer

Reuse factory hardware to attach tow hook (if equipped) to mounting plate inside Frame Bracket (arrow) or use included 12mm x 45mm Hex Bolts and hardware

(Fig 8) Insert long bolt through Bracket and frame

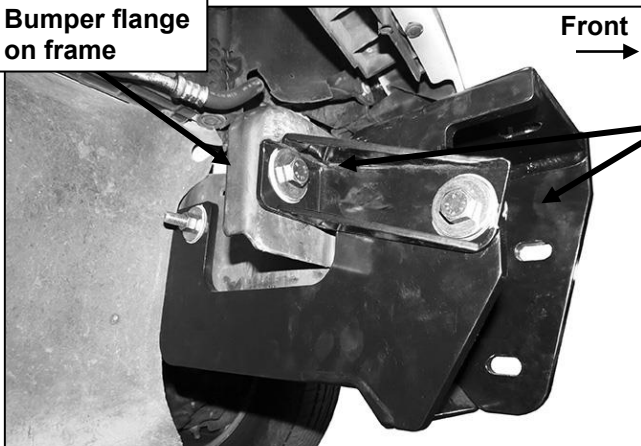


(Fig 9) Attach Driver side Inner Support Bracket to bumper flange on frame and Frame Bracket

WARNING! Do not crawl under bumper unless the bumper is properly supported on blocks or stands or the bumper may fall.

Driver Side Installation Pictured

Bumper flange
on frame



Front

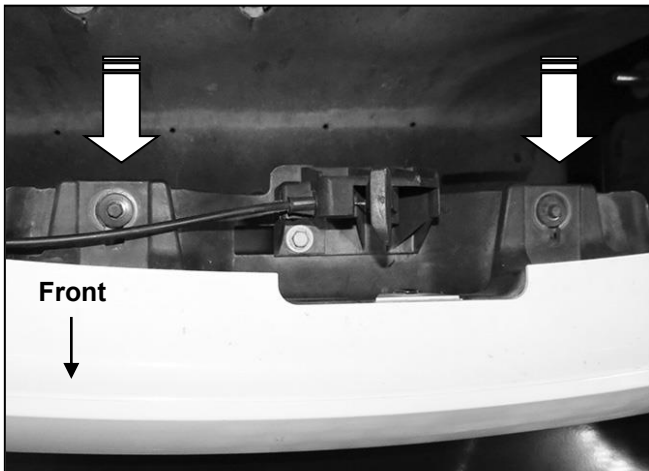
12mm x 45mm Hex Bolt
12mm Lock Washer
12mm Flat Washer

(Fig 10) Attach Driver side Inner Support Bracket to bumper flange on frame and Frame Bracket



Front

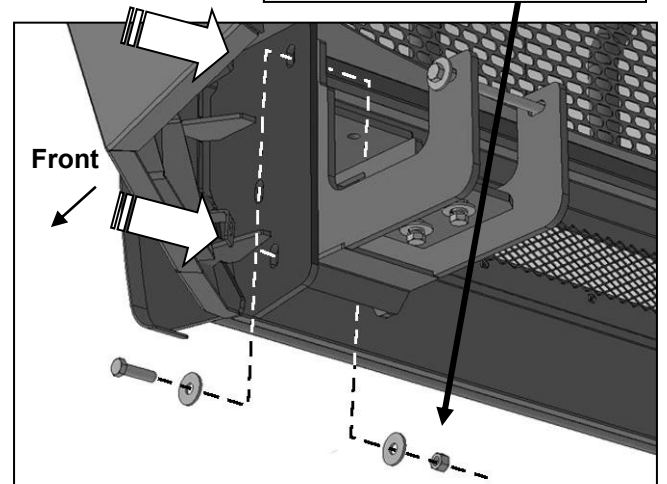
(Fig 11) Remove latch bracket from bumper



Front

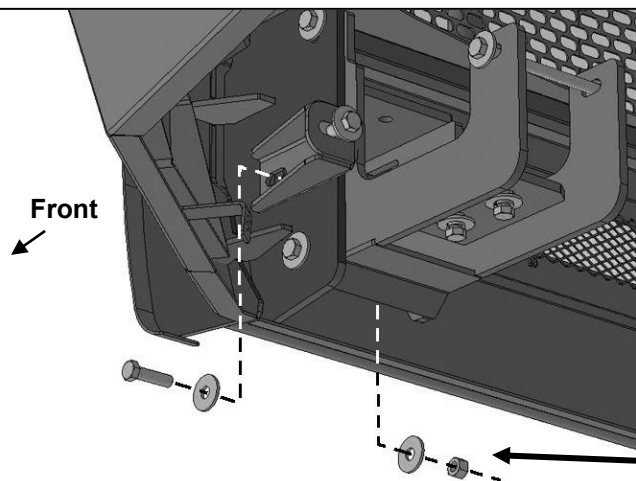
(Fig 12) Attach latch bracket to tabs on plastic fascia

(2) 12mm x 45mm Hex Bolts
(2) 12mm Flat Washers
(2) 12mm Nylon Lock Nuts



Front

(Fig 13) Attach Bumper to outside of Frame Bracket



Front

12mm x 45mm Hex Bolt
12mm Flat Washer
12mm Nylon Lock Nut

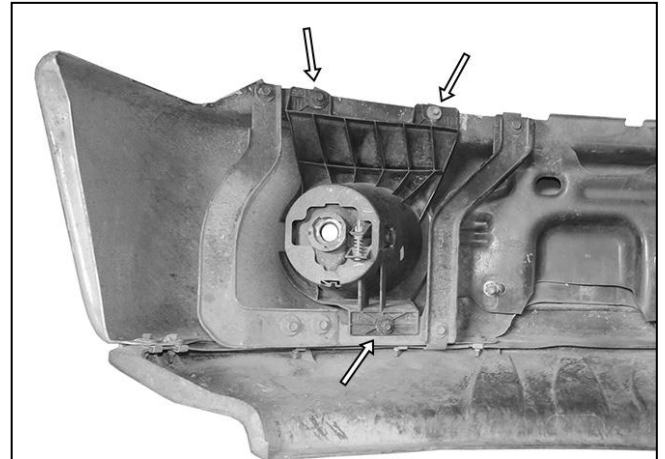
(Fig 14) Attach Outer Support Bracket to flange on frame and center hole in Bumper Bracket

Driver Side Installation Pictured

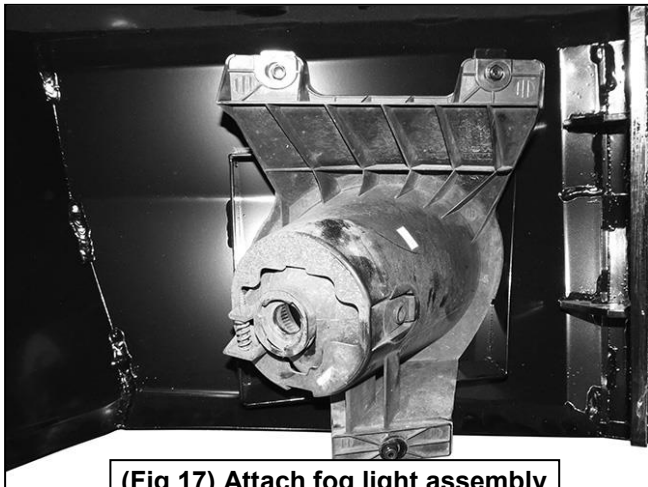


Bumper flange
on frame

(Fig 15) Attach Outer Support Bracket to flange on frame and center hole in Bumper Bracket



(Fig 16) Remove fog light assembly if equipped



(Fig 17) Attach fog light assembly to tabs on back of Bumper



(Fig 18) Push plastic plugs into holes in Bumper for license plate if required. LED bar light pictured installed behind Bumper on non-ecoboost model. LED light installation not recommended on ecoboost models



Complete Installation