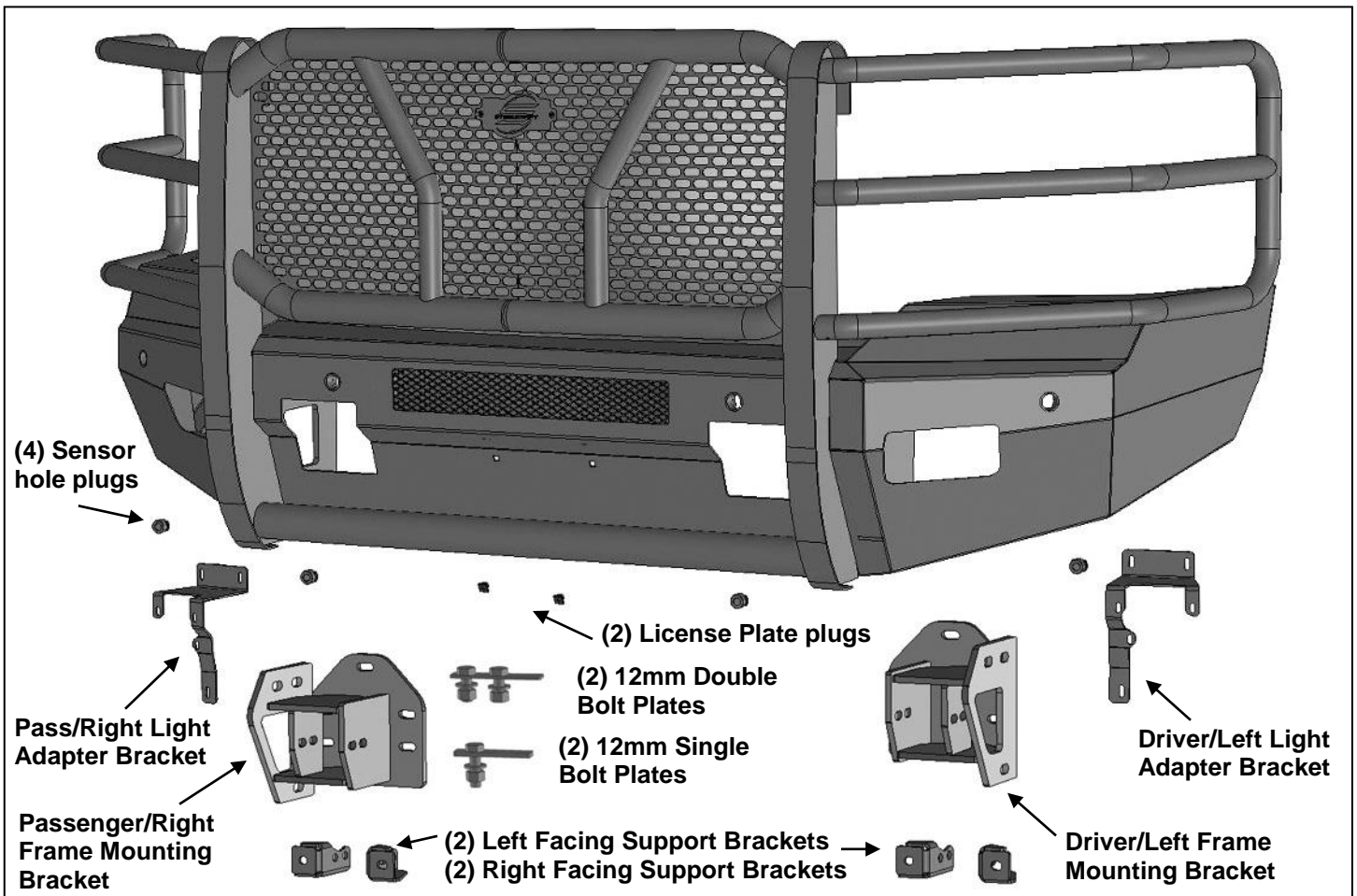




**ELEVATION FRONT BUMPER
2014-17 CHEVY SILVERADO 1500**

PARTS LIST:

1	Heavy Duty Front Bumper Assembly	10	12-1.75mm x 50mm Hex Bolts
1	Driver/left Mounting Bracket	26	12mm x 32mm OD x 3mm Flat Washers
1	Passenger/right Mounting Bracket	16	12mm Nylon Lock Nuts
2	Left Facing Support Brackets	8	6-1.0mm x 30mm Hex Bolts
2	Right Facing Support Brackets	16	6mm x 18mm x 1.6mm Flat Washers
1	Driver/left 2014-15 Light Adapter Bracket	8	6mm Nylon Lock Nuts
1	Passenger/right 2014-15 Light Adapter Bracket	8	4mm x 10mm Socket Head Screws
2	12mm Single Bolt Plate	4	Sensor Plugs
2	12mm Double Bolt Plate	2	Plastic Plugs for License Plate
		1	Wrench



PROCEDURE:

REMOVE CONTENTS FROM BOX. VERIFY ALL PARTS ARE PRESENT. READ INSTRUCTIONS CAREFULLY BEFORE STARTING INSTALLATION. BUMPER IS HEAVY, ASSISTANCE IS HIGHLY RECOMMENDED TO AVOID POSSIBLE INJURY OR DAMAGE TO THE VEHICLE.

1. Remove the license plate and bracket. On models with factory fog lights, unplug both lights. On models with front bumper mounted sensors, unplug sensors and remove from bumper, **(Figure 1)**. Move all wiring harnesses away from bumper.
2. Next, on **2014-15** models only, from behind the bumper, release the clips from the center and screws from the ends of the plastic body panel, (fascia), on top of the bumper between the bottom of the grille and the top of the bumper, **(Figure 2)**.

**ELEVATION FRONT BUMPER
2014-17 CHEVY SILVERADO 1500**

3. All model years, open the hood and remove the cover between the top of the radiator and the grille, **(Figure 2)**. Remove the bolts attaching the top and bottom of the grille to the cross member and remove the grille, **(Figures 3 & 4)**.
 4. Remove the outer bumper supports on each side of the frame, **(Figure 5)**.
 5. Place blocks or jack stands under the front bumper to support it during mounting bolt removal. Once the bumper has been safely supported, from above, remove the factory bumper bolts attaching the bumper to the inner bumper bracket bolted to the end of the frame, **(Figure 6)**.
WARNING! Assistance is required to hold the bumper in place during bolt removal to prevent the bumper from falling. Slide the bumper assembly with brackets off of the frame.
 6. Reinstall the grille and top cover removed in **Step 2**. Do not reinstall the fascia on 2014-25 models.
 7. Remove both bumper brackets and tow hooks from the ends of the frame, **(Figures 7 & 8)**.
 8. Select (1) Left Facing and (1) Right Facing Support Bracket, **(Figure 9)**. Starting on the driver side, attach the Right Facing Support Bracket to the inner facing side of the frame with (1) 12mm Double Bolt Plate, (2) 12mm Flat Washers and (2) 12mm Nylon Lock Nuts, **(Figures 9 & 10)**. Next, attach (1) Left Facing Support Bracket to the outer facing side of the frame with (1) 12mm Single Bolt Plate, (1) 12mm Flat Washer and (1) 12mm Nylon Lock Nut, **(Figures 9 & 11)**. Do not tighten hardware at this time.
 9. Select the driver side Frame Mounting Bracket, **(Figure 12)**. Reuse the (3) factory bumper bolts to attach the top mounting holes on the Frame Bracket to the threaded bumper mount, **(Figures 12 & 14)**. Attach the (2) lower holes in the Frame Bracket to the Support Brackets with (2) 12mm x 50mm Hex Bolts, (4) 12mm Flat Washers and (2) 12mm Nylon Lock Nuts, **(Figures 13 & 14)**. Snug but do not fully tighten hardware at this time.
 10. Select (1) tow hook if equipped. Reuse the factory hardware to attach the driver/left tow hook to the inside of the Frame Bracket, **(Figure 14)**.
 11. Repeat **Steps 8—10** to install the passenger side Support Brackets, Frame Bracket and tow hook, (if equipped).
 12. **Optional Center LED light installation** (sold separately). **NOTE:** It may be easier to install the center light (not included) and sensors on the Bumper before Bumper Assembly is attached to the vehicle.
 - a. Attach the light to the (2) tabs on the back of the Bumper. Adjust light position and tighten hardware.
 - b. Follow light manufacturer's instructions to wire the light once Bumper has been fully installed.
- Models without bumper sensors:**
- a. Select the included (4) Rubber Plugs.
 - b. From behind bumper, push plugs into sensor mounting holes, **(Figure 15)**.
- Models with bumper mounted sensors:**
- a. Push the sensor into the mounting socket in the back of the bumper.
 - b. Secure each sensor to the socket with (2) 4mm x 10mm Button Head Screws, **(Figure 15)**.
IMPORTANT: Sensors fit snug in sockets. The 4mm Screws are used to apply slight pressure to lock the sensors in place. Tighten both screws evenly until they touch the sensor body only. Do not overtighten screws or damage to sensors will result.
13. With assistance, position the Bumper Assembly up to and over the Brackets. Temporarily support the weight of the Bumper. **WARNING:** To avoid possible injury or damage to the vehicle, do not proceed until the Bumper is fully and safely supported.
 14. Line up the (3) holes in the driver side mounting plate on the inside of the Bumper with the (3) slots in the Frame Bracket. Attach the Bumper to the Bracket with the included (3) 12mm x 50mm Hex Bolts, (6) 12mm Flat Washers and (3) 12mm Nylon Lock Nuts, **(Figures 16 & 17)**. Do not fully tighten hardware at this time. Repeat this **Step** to attach the passenger side of the Bumper to the Frame Bracket.
 15. Level and adjust the bumper and fully tighten all 12mm hardware to 65-70ft-lbs.

**ELEVATION FRONT BUMPER
2014-17 CHEVY SILVERADO 1500**

16. Models with fog lights:

2014-15 Models

- a. Select the driver/left Light Adapter Bracket.
- b. Slide the tabs on the driver/left fog light into the Bracket. Push the attaching posts into the mounting holes in the Bracket, **(Figure 18)**.
- c. Attach Bracket with light to the mounting tabs on the back of the Bumper with (3) 6mm x 30mm Hex Bolts, (6) 6mm Flat Washers and (3) 6mm Nylon Lock Nuts, **(Figure 19)**.
- d. Repeat this Step to install passenger/right light assembly.
- e. Reattach the factory wiring harness to both lights.

2016-17 Models

- f. Attach the light assembly with plastic housing to the mounting tabs on the back of the bumper with (4) 6mm x 30mm Hex Bolts, (8) 6mm Flat Washers and (4) 6mm Nylon Lock Nuts. **NOTE:** Light assembly will rotate 90-degrees to install horizontal to Brackets.

17. Reattach the factory wiring harness to both lights and sensors if equipped.

18. Use the included (2) push-in Plastic Nuts to attach the front license plate, (if required), to the (2) holes in the front of the Bumper, **(Figure 20)**.

19. Do periodic inspections to the installation to make sure that all hardware is secure and tight.

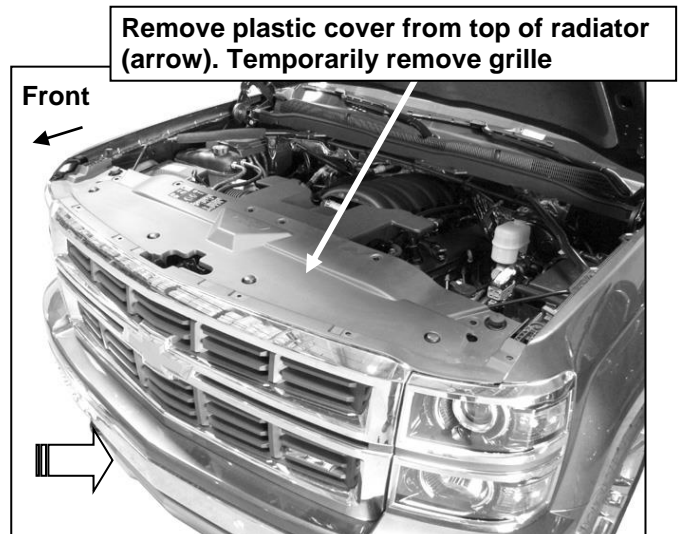
To protect your investment, wax this product after installing. Regular waxing is recommended to add a protective layer over the finish. Do not use any type of polish or wax that may contain abrasives that could damage the finish. Mild soap may be used to clean the Front Bumper assembly.

Driver/left Side Installation Pictured



Unplug sensors and fog lights if equipped

(Fig 1) Unplug sensors, fog lights and move wiring harness away from bumper before removal



Remove plastic cover from top of radiator (arrow). Temporarily remove grille

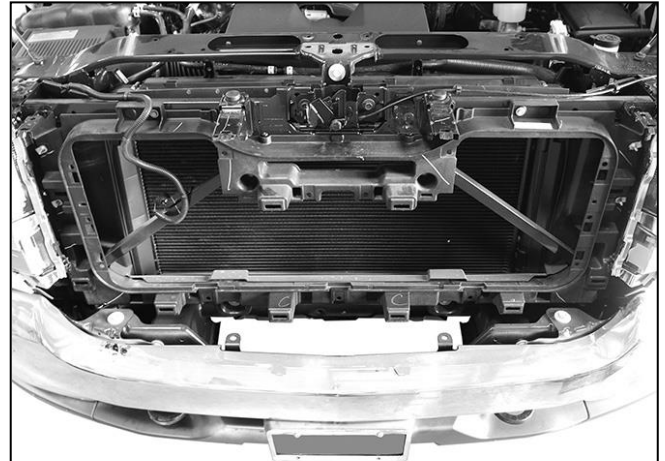
(Fig 2) 2014-15 models, from behind bumper, release clips and hardware attaching plastic fascia panel (arrow) to top of bumper and fender. Remove fascia panel to access bumper hardware from above.

**ELEVATION FRONT BUMPER
2014-17 CHEVY SILVERADO 1500**

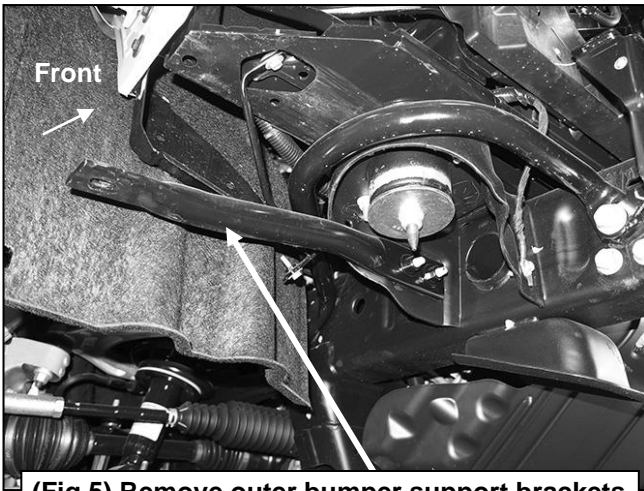
Driver/left Side Installation Pictured



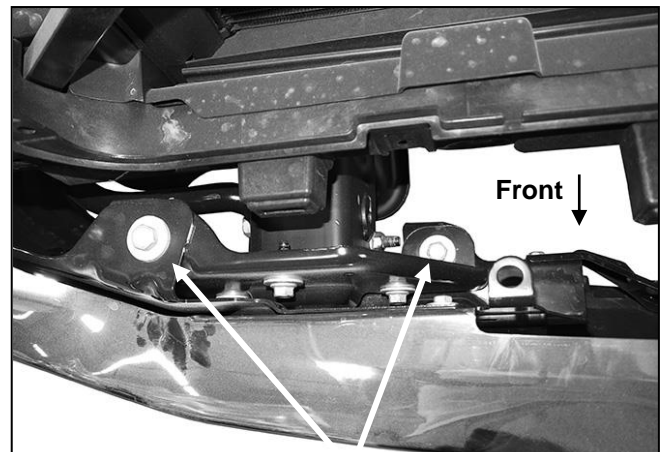
(Fig 3) Firmly pull grille straight out from vehicle



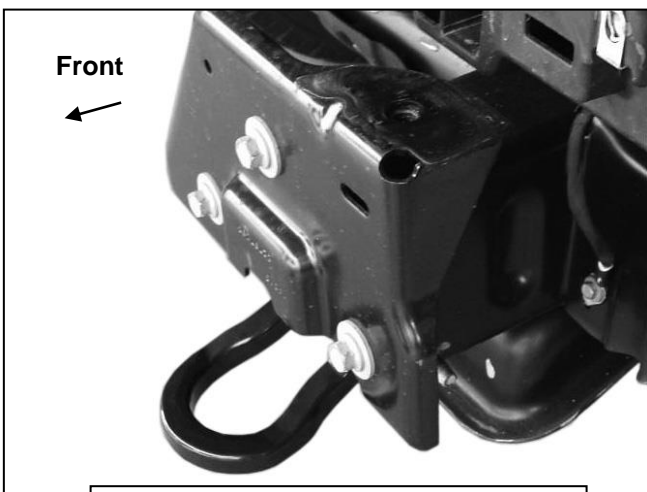
(Fig 4) Grille removed to access bumper bolts



(Fig 5) Remove outer bumper support brackets



(Fig 6) Remove bumper bolts attaching bumper to brackets- passenger side pictured from above

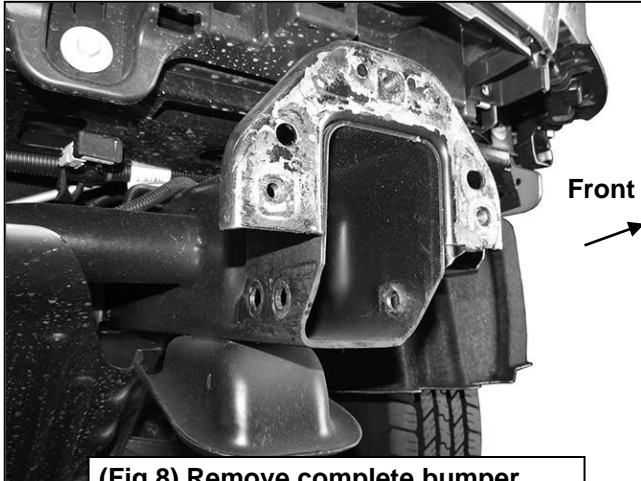


(Fig 7) Remove complete bumper, inner bumper bracket and tow hooks

WARNING! Do not crawl under bumper unless the bumper is properly supported on blocks or stands or the bumper may fall.

ELEVATION FRONT BUMPER
2014-17 CHEVY SILVERADO 1500

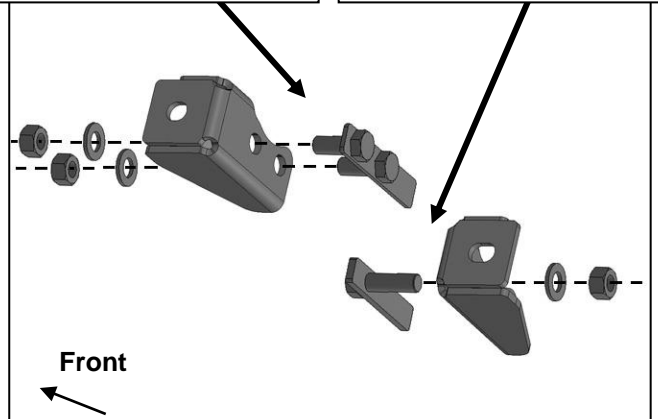
Driver/left Side Installation Pictured



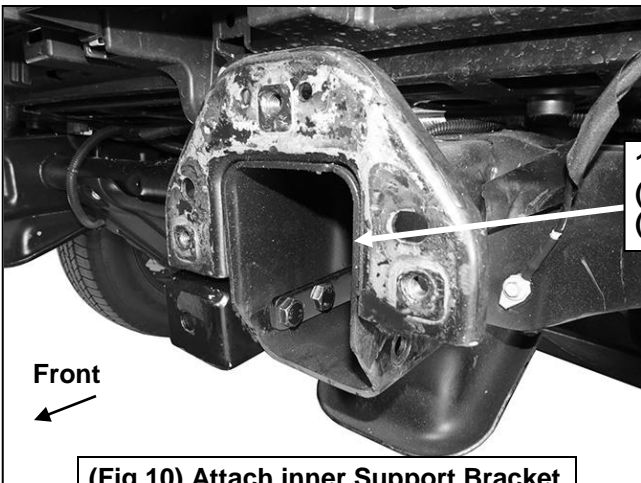
(Fig 8) Remove complete bumper, inner bumper bracket and tow hooks

12mm Double Bolt Plate
(2) 12mm Flat Washers
(2) 12mm Nylon Lock Nuts

12mm Single Bolt Plate
12mm Flat Washer
12mm Nylon Lock Nut



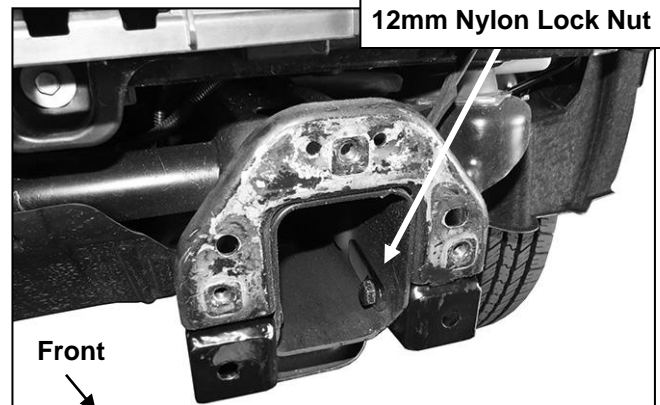
(Fig 9) Attach Support Brackets to frame



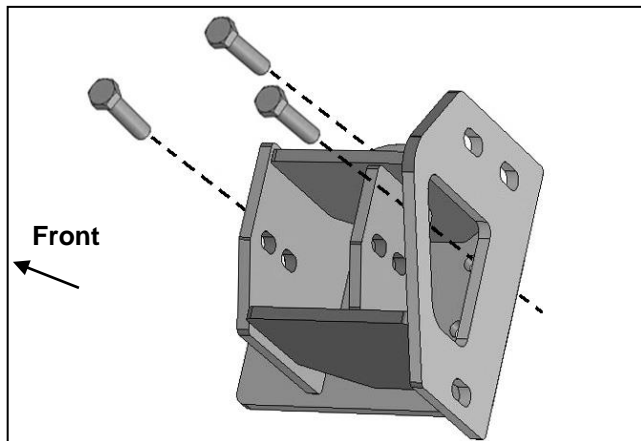
12mm Double Bolt Plate
(2) 12mm Flat Washers
(2) 12mm Nylon Lock Nuts

12mm Single Bolt Plate
12mm Flat Washer
12mm Nylon Lock Nut

(Fig 10) Attach inner Support Bracket to side of frame. Driver side pictured



(Fig 11) Attach outer Support Bracket to side of frame to frame. Driver side pictured



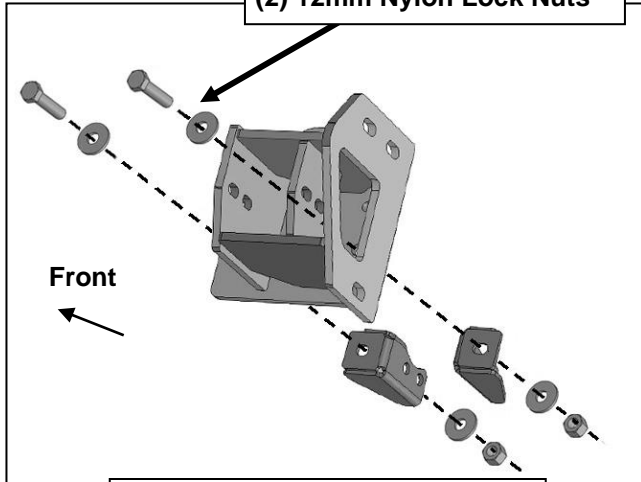
(Fig 12) Reuse factory bumper bolts to attach top of Frame Bracket to bumper mount on frame

WARNING! Do not crawl under bumper unless the bumper is properly supported on blocks or stands or the bumper may fall.

**ELEVATION FRONT BUMPER
2014-17 CHEVY SILVERADO 1500**

Driver/left Side Installation Pictured

- (2) 12mm x 50mm Hex Bolts
- (4) 12mm Flat Washers
- (2) 12mm Nylon Lock Nuts

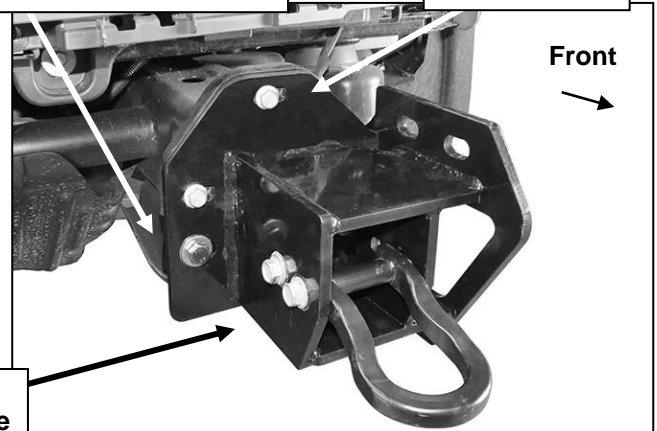


(Fig 13) Attach bottom of Frame Bracket to L/R Support Brackets

Reinstall tow hooks with factory hardware

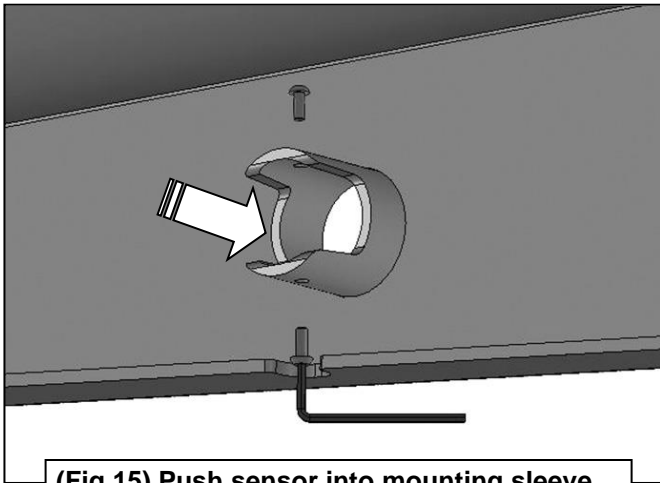
- 12mm x 50mm Hex Bolt
- (2) 12mm Flat Washers
- 12mm Nylon Lock Nuts

Reuse Factory bumper bolts



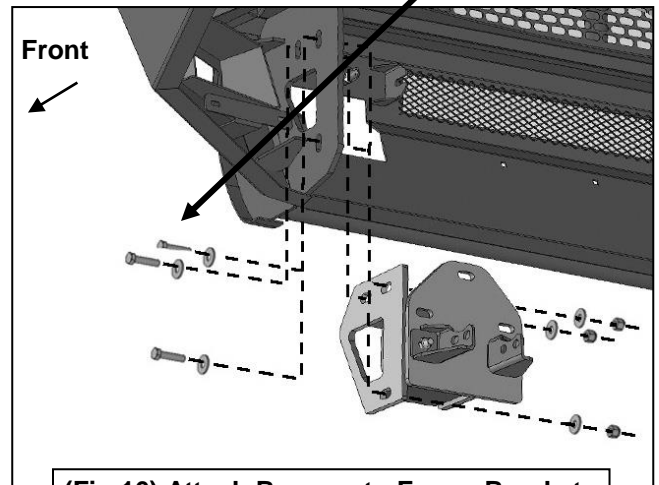
(Fig 14) Complete installation of Frame Bracket

- (3) 12mm x 50mm Hex Bolts
- (6) 12mm Flat Washers
- (3) 12mm Nylon Lock Nuts



(Fig 15) Push sensor into mounting sleeve. Use 4mm Screws to lock sensor in place.

IMPORTANT: Sensors fit snug in sockets. The 4mm Screws are only used to apply slight pressure to lock the sensors in place. Tighten both screws evenly until they touch the sensor body only. Do not overtighten screws or damage to sensors will result.

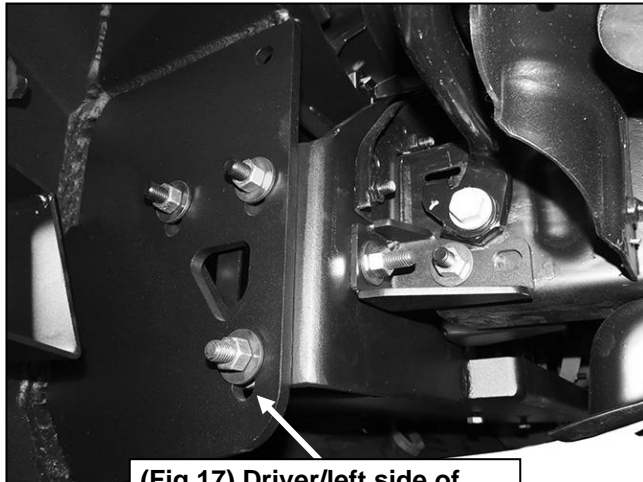


(Fig 16) Attach Bumper to Frame Brackets

WARNING! Do not crawl under bumper unless the bumper is properly supported on blocks or stands or the bumper may fall.

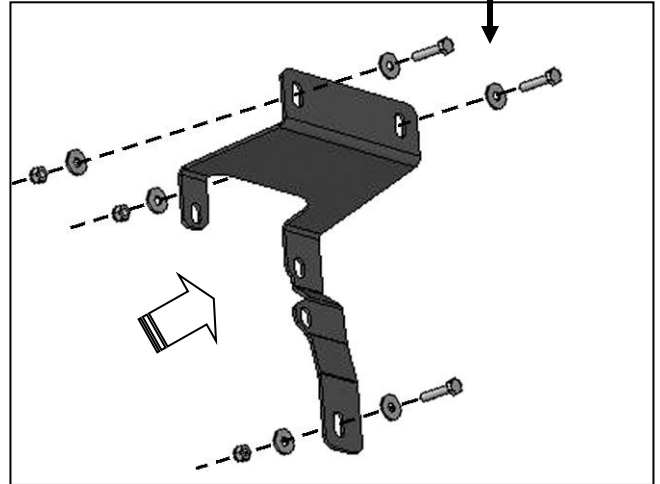
**ELEVATION FRONT BUMPER
2014-17 CHEVY SILVERADO 1500**

Driver/left Side Installation Pictured

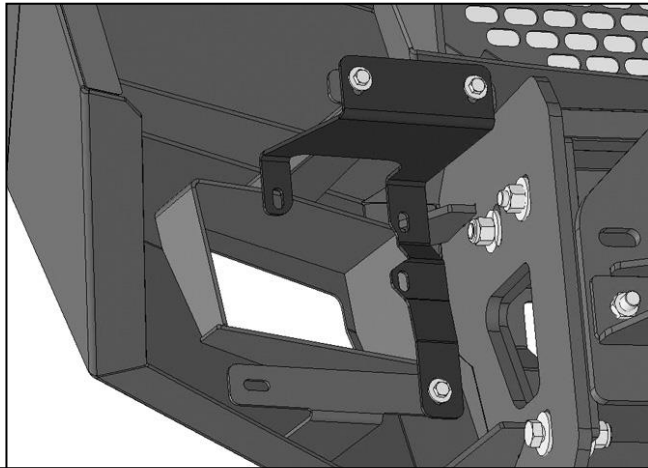


(Fig 17) Driver/left side of Bumper attached to Bracket

- (3) 6mm x 30mm Hex Bolts**
- (6) 6mm Flat Washers**
- (3) 6mm Nylon Lock Nuts**

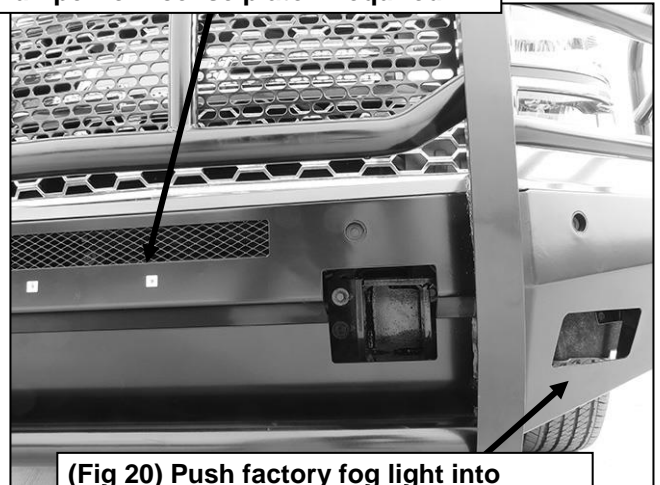


(Fig 18) 2014-15 models only: Snap fog light into Adapter Bracket. Attach Bracket to tabs on back of Bumper. Bracket is not required for 2016-17 fog light assembly installation. Driver/left Bracket illustrated.



(Fig 19) 2014-15 models only: Attach Bracket to tabs on back of Bumper. Driver/left Bracket illustrated.

Push plastic plugs into holes in Bumper for license plate if required



(Fig 20) Push factory fog light into mounting tabs (driver/left side pictured)

