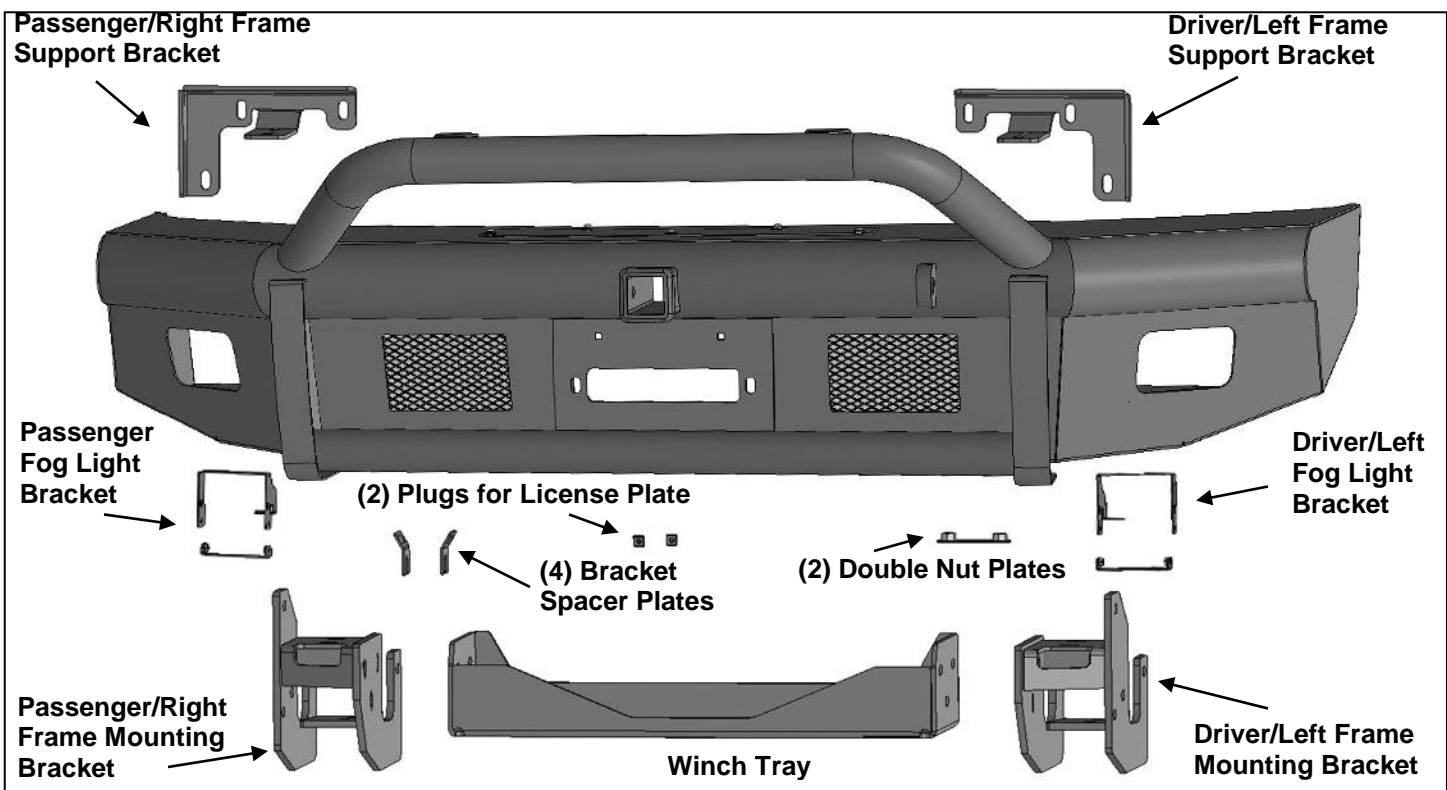




HEAVY DUTY BULL NOSE FRONT BUMPER 2015-17 FORD F150

PARTS LIST:

1	Front Bumper Assembly	2	12-1.75mm x 170mm Hex Bolts
1	Winch Tray	26	12-1.75mm x 50mm Hex Bolts
1	Driver/Left Frame Mounting Bracket	52	12mm x 32mm x 3mm Flat Washers
1	Passenger/Right Frame Mounting Bracket	4	12mm Lock Washers
1	Driver/Left Support Bracket	24	12-1.75mm Nylon Lock Nuts
1	Passenger/Right Support Bracket	2	8-1.25mm x 20mm Hex Bolts
1	Driver/Left Fog Light Upper U-Bracket	4	8mm x 24mm x 2mm Flat Washer
1	Passenger/Right Fog Light Upper U-Bracket	2	8mm Nylon Lock Nuts
2	Lower U-Brackets (Fog Lights)	4	6mm x 16mm Hex Bolts
1	Winch Cover Plate	4	6mm x 18mm x 1.6 Flat Washers
2	Plastic Plugs for license plate mount	4	6mm Lock Washers
4	Bracket Spacer Plates	5	6mm Button Head Combo Bolt
2	12mm Double Nut Plates	1	4mm Wrench



PROCEDURE:

REMOVE CONTENTS FROM BOX. VERIFY ALL PARTS ARE PRESENT. READ INSTRUCTIONS CAREFULLY BEFORE STARTING INSTALLATION. BUMPER IS HEAVY, ASSISTANCE IS HIGHLY RECOMMENDED TO AVOID POSSIBLE INJURY OR DAMAGE TO THE VEHICLE. BUMPER INSTALLATION WILL INTERFERE WITH GRILLE MOUNTED CAMERA. CUTTING MAY BE REQUIRED ON MODELS WITH ECOBOOST OPTION.

1. Remove the license plate and bracket. On models with factory fog lights, unplug both lights and remove the complete light assemblies from back of bumper, **(Figure 1)**. Release the wiring harness from the clips attached to the back of the bumper. Move harness away from bumper.
2. Next, remove the plastic bumper pad assembly, **(Figure 2)**. **NOTE:** Release metal clips from back of bumper to remove bumper pad assembly. It may be easier to access bumper hardware, (from back of bumper), with plastic air dam removed from bottom of bumper.
3. Place blocks or jack stands under the front bumper to support it during mounting bolt removal. Once the bumper has been safely supported, remove the large hex nut from the back of each bumper bracket,

HEAVY DUTY BULL NOSE FRONT BUMPER 2015-17 FORD F150

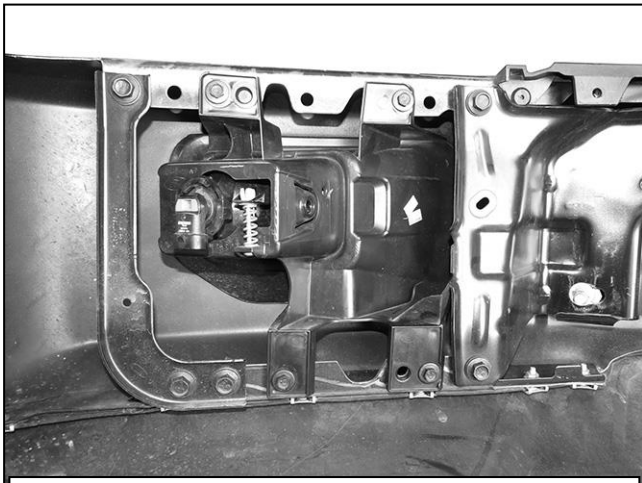
- (**Figure 3**). Next, from the front of the bumper, remove the (2) factory hex nuts attaching the bumper to each bumper bracket, (**Figure 4**). **WARNING!** Assistance is required to hold the bumper in place during bolt removal to prevent the bumper from falling. Carefully slide the bumper off the frame, (**Figure 5**).
4. Remove the factory double bolt from the driver side bumper mounting flange. Next, remove the driver side tow hook, (if equipped), from the bottom of the frame, (**Figure 5**). **IMPORTANT:** On models with tow hooks, leave factory double nut plate in place inside frame. Repeat to remove the passenger side bolt plate and tow hook if equipped. **NOTE:** Tow hooks cannot be reinstalled.
 5. Next, select the driver side Frame Mounting Bracket. On models without tow hook, insert (1) Double Nut Plate into the open end of the frame, (**Figure 6**). Attach the Frame Bracket to the bottom of the frame and Double Nut Plate with (2) 12mm x 50mm Hex Bolts, (2) 12mm Lock Washers and (2) 12mm Flat Washers, (**Figure 7**). Leave hardware loose at this time.
 6. Insert (1) 12mm x 170mm Long Hex Bolt with (1) 12mm Flat Washer through the outside of the mounting tab on the Frame Bracket, through the frame and inside tab. Secure with (1) 12mm Flat Washer and (1) 12mm Nylon Lock Nut. Insert (1) Spacer Plate down between each mounting tab and the side of the frame, (**Figure 8**). Do not fully tighten hardware.
 7. Select the driver side Frame Support Bracket, (**Figure 9**). Place the Support Bracket on top of the Frame Mounting Bracket, (**Figures 9 & 11**). Attach the Support Bracket directly to the top of the Frame Bracket with (2) 12mm x 50mm Hex Bolts, (4) 12mm Flat Washers and (2) 12mm Nylon Lock Nuts. **NOTE:** Models with tow hooks, it may be easier to use the included Double Nut Plate in place of (2) 12mm Flat Washers and (2) 12mm Nylon Lock Nuts. Do not tighten hardware at this time.
 8. Next, attach the Support Bracket to the bumper mounting flange on the frame with the included (3) 12mm x 50mm Hex Bolts, (6) 12mm Flat Washers and (3) 12mm Nylon Lock Nuts, (**Figures 10 & 11**). Do not fully tighten hardware at this time.
 9. Repeat **Steps 5—8** to install the passenger side Frame Bracket assembly.
 10. **Optional Winch Tray and Winch installation (winch sold separately):**
 - a. Select the Winch Tray. With assistance, slide the Winch Tray between the Frame Brackets. Attach the Winch Tray to the Frame Brackets with (6) 12mm x 50mm Hex Bolts, (12) 12mm Flat Washers and (6) 12mm Nylon Lock Nuts, (**Figures 12 & 13**). Snug but do not fully tighten all hardware.
 - b. If installing winch, follow manufacturer's instructions to attach the winch to the Winch Tray. Winch must be installed before Bumper is placed in position against Brackets. Attach winch cable guide, (not included), to Bumper assembly. Follow manufacturer's instructions to properly wire the winch to the electrical system.
 11. With assistance, position the Bumper Assembly up to and over the Frame Brackets. Temporarily support the weight of the Bumper. **WARNING:** To avoid possible injury or damage to the vehicle, do not proceed until the bumper is fully and safely supported.
 12. Line up the (3) holes in the driver side Frame Bracket with the (3) holes in the inner mounting plate on the back of the Bumper. Attach the Bumper to the Bracket with the included (3) 12mm x 50mm Hex Bolts, (6) 12mm Flat Washers and (3) 12mm Nylon Lock Nuts, (**Figures 14 & 15**). Snug but do not tighten hardware at this time. Repeat this **Step** to attach the passenger side of the Bumper to the Frame Bracket.
 13. Level and adjust the bumper and fully tighten all 12mm hardware to 65-70ft-lbs. Access hardware at the top of the Mounting Bracket through the removable access cover on the top of the Bumper. **NOTE:** If additional adjustment is required, loosen Frame Bracket Hardware and adjust Bracket as necessary.
 14. **Models with factory fog lights:**
 - a. Use a flat blade screwdriver to carefully pop out the tabs on the side of the fog light bracket attaching the light to the bracket, (**Figure 1**). Pop the light out of the plastic bracket housing.
 - b. Remove the adjustment screw and spring from the light assembly.
 - c. Select the driver/left top U Bracket, (**Figure 16**). Attach the Bracket to the slot in the light opening with the included (1) 8mm x 20mm Hex Bolt, (2) 8mm Flat Washers and (1) 8mm Nylon Lock Nut, (**Figure 16**).
 - d. Carefully spread the sides of the Bracket enough to slide the OE plastic fog light between and into the Bracket, (**Figure 17**). Select (1) Lower U-Bracket. Attach the Lower Bracket to the Upper Bracket with (2) 6mm x 16mm Hex Bolts, (2) 6mm Lock Washers and (2) 6mm x 12mm Small Flat Washers, (**Figure 18**).

HEAVY DUTY BULL NOSE FRONT BUMPER 2015-17 FORD F150

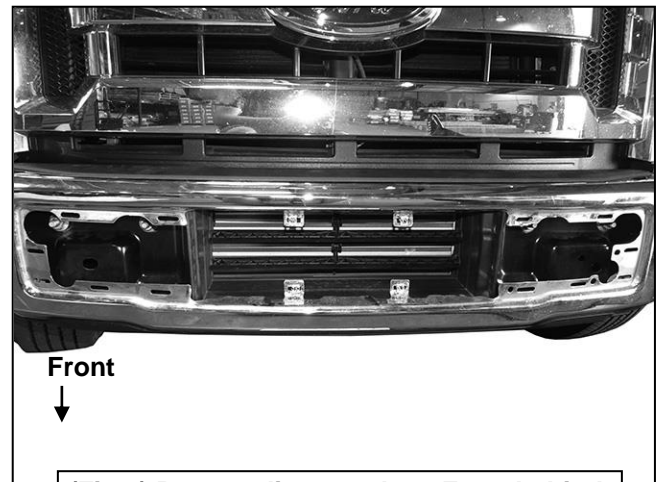
- e. Insert the factory spring between the tab on the Bracket and the light. Insert the screw through the tab, spring and into the fog light, **(Figure 18)**.
 - f. Repeat to install the passenger/right fog light.
 - g. Reattach the wiring harness. Adjust lights as necessary and tighten all fog light bracket hardware.
15. Use the included (2) push-in plastic nuts to attach the front license plate, (if required), to the (2) holes in the front bumper, **(Figure 19)**.
16. Do periodic inspections to the installation to make sure that all hardware is secure and tight.

To protect your investment, wax this product after installing. Regular waxing is recommended to add a protective layer over the finish. Do not use any type of polish or wax that may contain abrasives that could damage the finish. Mild soap may be used to clean the Front Bumper assembly.

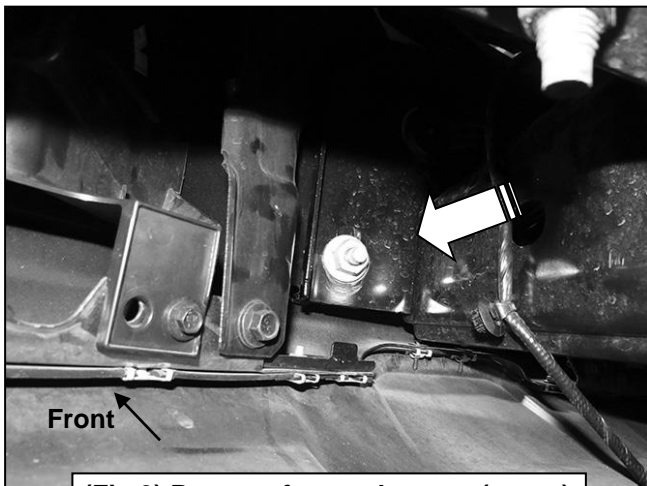
Driver Side Installation Pictured



(Fig 1) Remove fog light assembly from bumper



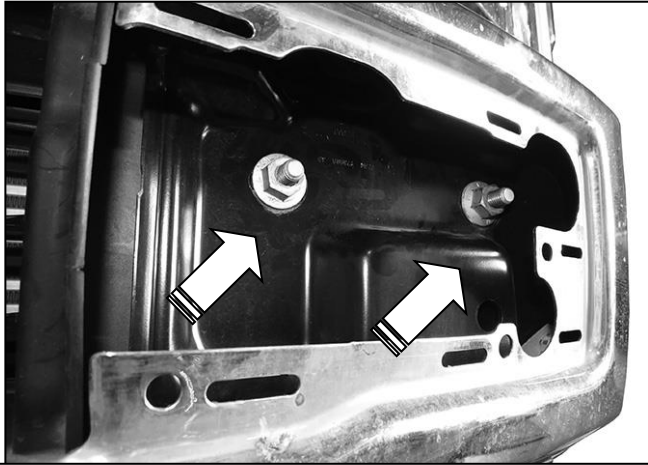
(Fig 2) Remove license plate. From behind bumper, release metal clips attaching plastic bumper pad to the bumper



(Fig 3) Remove factory hex nut (arrow) from back of bumper bracket

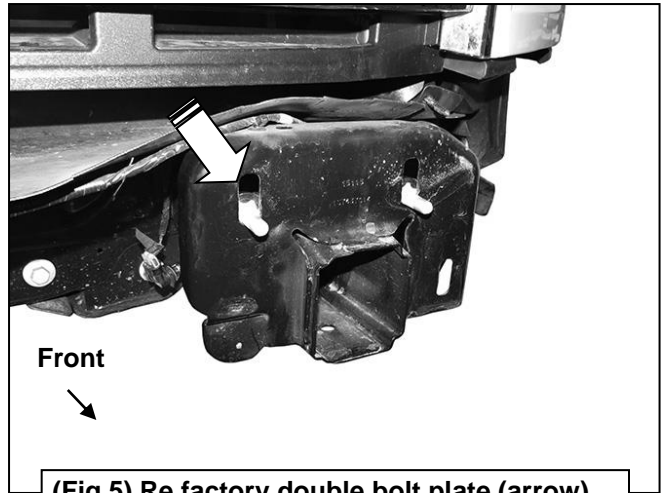
**HEAVY DUTY BULL NOSE FRONT BUMPER
2015-17 FORD F150**

Driver Side Installation Pictured

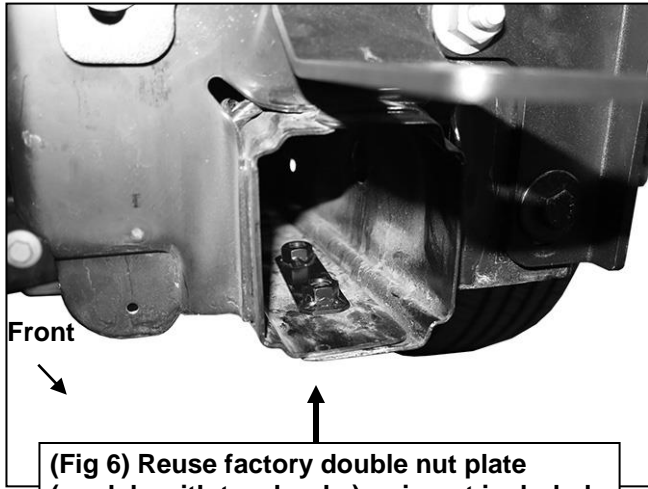


(Fig 4) Remove (2) factory hex nuts from each side

WARNING! Do not remove bumper bolts unless the bumper is properly supported on blocks or stands or the bumper may fall.



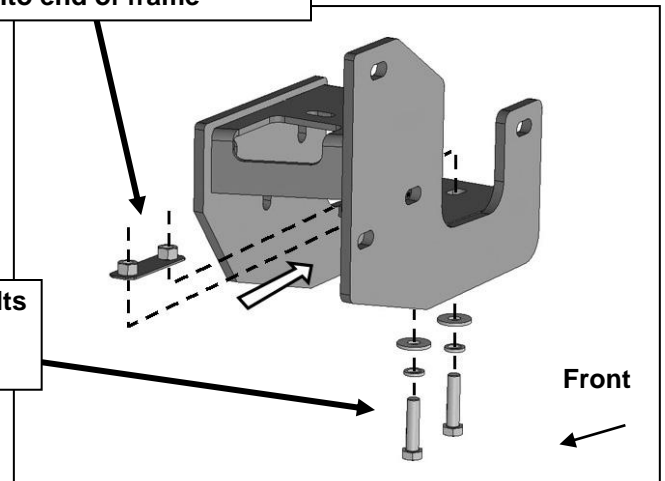
(Fig 5) Re factory double bolt plate (arrow)



(Fig 6) Reuse factory double nut plate (models with tow hooks) or insert included Double Nut Plate into end of frame (Fig 8)

**Models w-o tow hooks:
Insert Double Nut Plate
into end of frame**

- (2) 12mm x 50mm Hex Bolts**
- (2) 12mm Lock Washers**
- (2) 12mm Flat Washers**



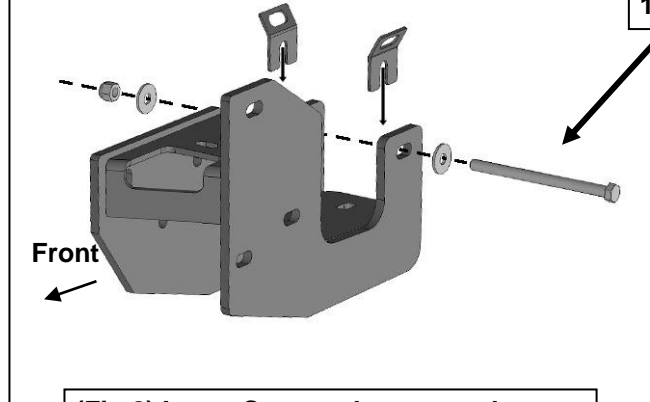
(Fig 7) Slide Bracket assembly over end of frame. Attach assembly to Double Nut Plate in frame (Fig 5)

HEAVY DUTY BULL NOSE FRONT BUMPER
2015-17 FORD F150

Driver Side Installation Pictured

(2) Spacers

12mm x 170mm Long Hex Bolt
(2) 12mm Flat Washers
12mm Nylon Lock Nut

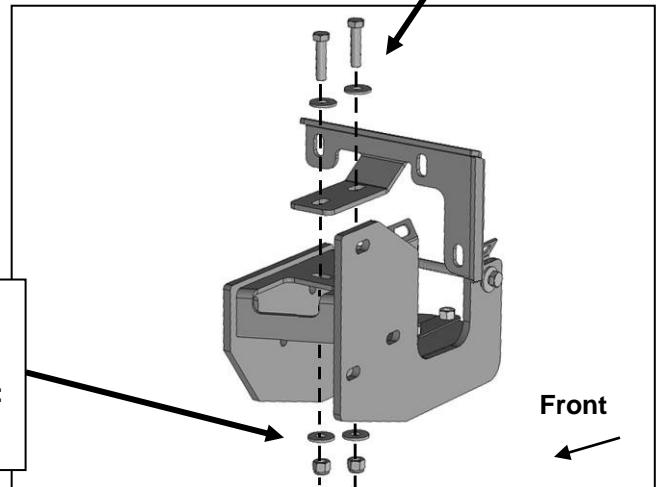


(Fig 8) Insert Spacers between tabs on Bracket assembly and sides of frame

Models with tow hooks use:
Double Nut Plate

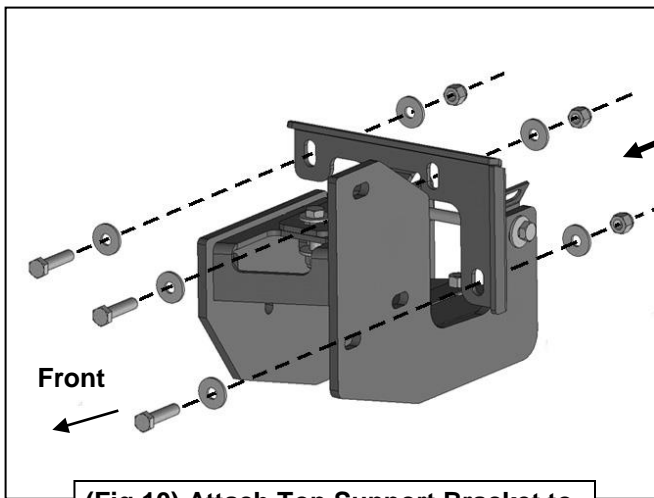
Models without tow hooks use:
(2) 12mm Flat Washers
(2) 12mm Nylon Lock Nuts

(2) 12mm x 50mm Hex Bolts
(2) 12mm Lock Washers
(2) 12mm Flat Washers



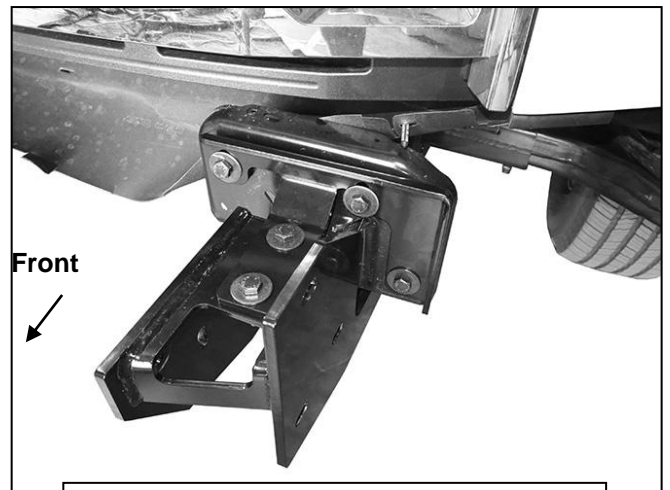
(Fig 9) Attach Frame Bracket to Support Bracket

(2) 12mm x 50mm Hex Bolts
(2) 12mm Lock Washers
(2) 12mm Flat Washers



(Fig 10) Attach Top Support Bracket to bumper mounting flange on frame.

IMPORTANT: Air intake shroud on Ecoboost equipped models may require cutting to clear the Winch Tray.

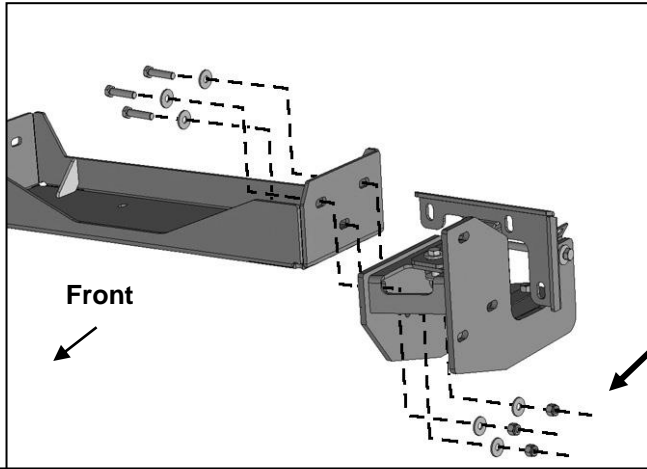


(Fig 11) Frame Bracket installed. If winch will not be installed, skip Figures 12 & 13

**HEAVY DUTY BULL NOSE FRONT BUMPER
2015-17 FORD F150**

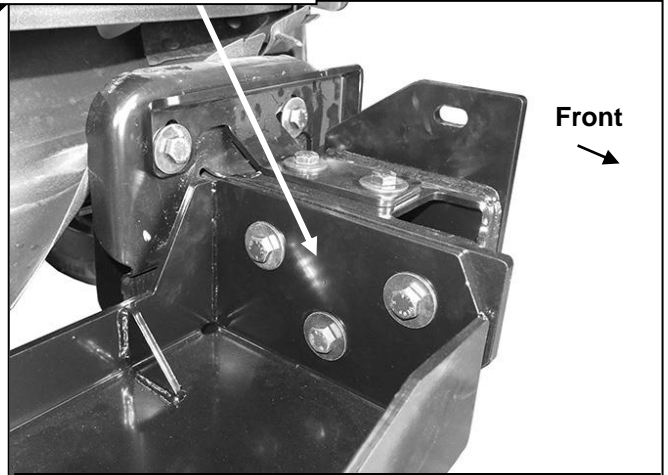
Driver Side Installation Pictured

WARNING! Do not crawl under bumper unless the bumper is properly supported on blocks or stands or the bumper may fall.

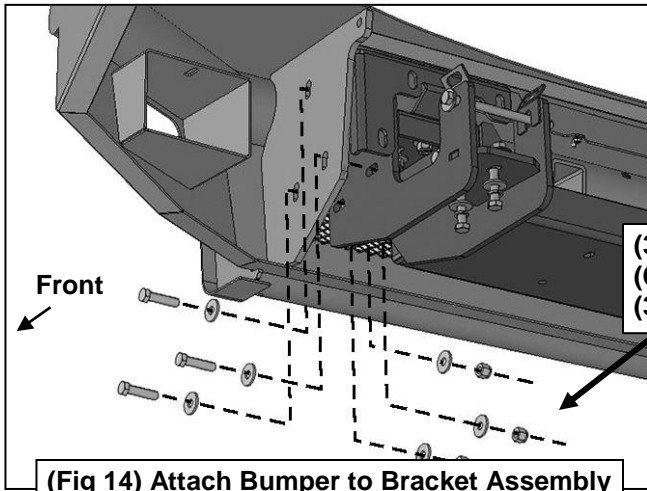


(Fig 12) Attach Winch Tray to Mounting Brackets

- (3) 12mm x 50mm Hex Bolts
- (6) 12mm Flat Washers
- (3) 12mm Nylon Lock Nuts



(Fig 13) Driver side Bracket Assembly pictured



(Fig 14) Attach Bumper to Bracket Assembly

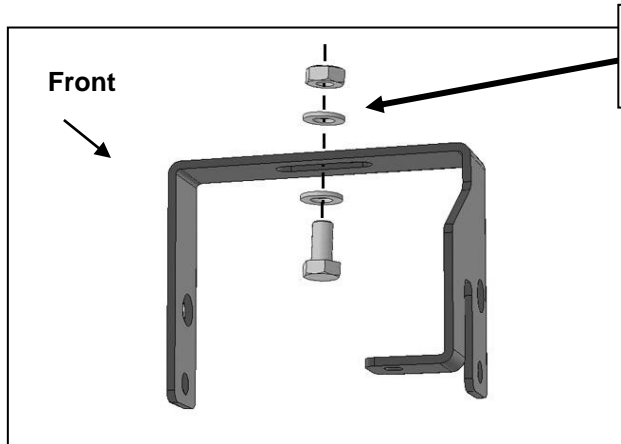
- (3) 12mm x 50mm Hex Bolts
- (6) 12mm Flat Washers
- (3) 12mm Nylon Lock Nuts

WARNING! Do not crawl under bumper unless the bumper is properly supported on blocks or stands or the bumper may fall.



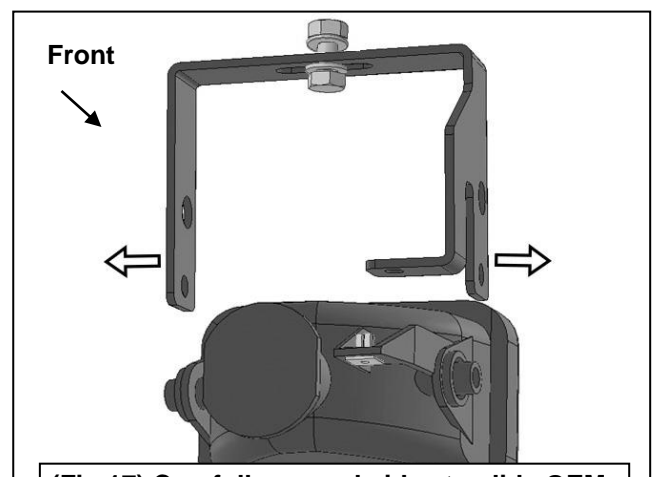
(Fig 15) Driver/left side of Bumper attached to Bracket assembly, (pictured from behind Bumper)

**HEAVY DUTY BULL NOSE FRONT BUMPER
2015-17 FORD F150**

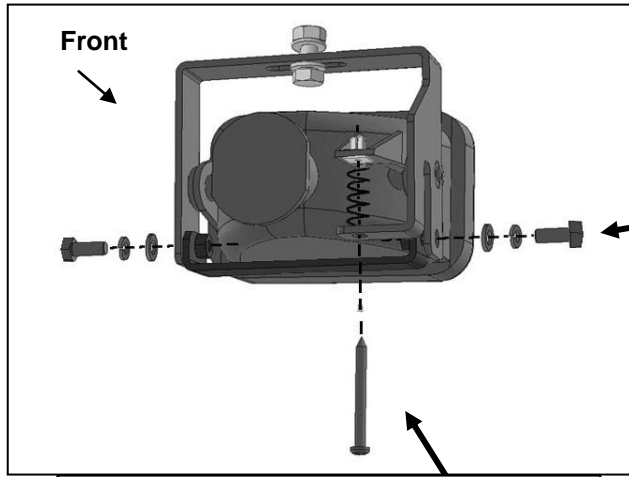


8mm x 20mm Hex Bolt
(2) 8mm Flat Washers
8mm Nylon Lock Nut

(Fig 16) Optional OEM fog light installation (light not included). Attach driver/left Upper Bracket to the slot in top of the opening

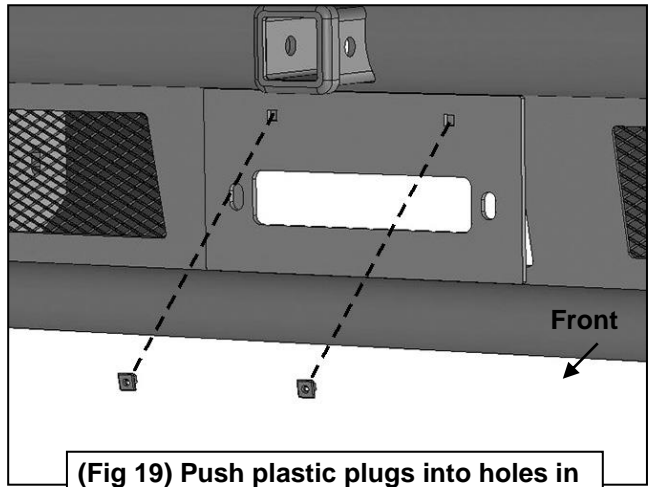


(Fig 17) Carefully spread sides to slide OEM fog light into position in pivot holes



6mm x 16mm Hex Bolt
6mm Lock Washer
6mm x 12mm Flat Washer

(Fig 18) Attach lower U Bracket to Upper Bracket. Reuse factory adjustment hardware (screw, spring and plastic nut)



(Fig 19) Push plastic plugs into holes in Bumper for license plate if required.



Complete Installation