

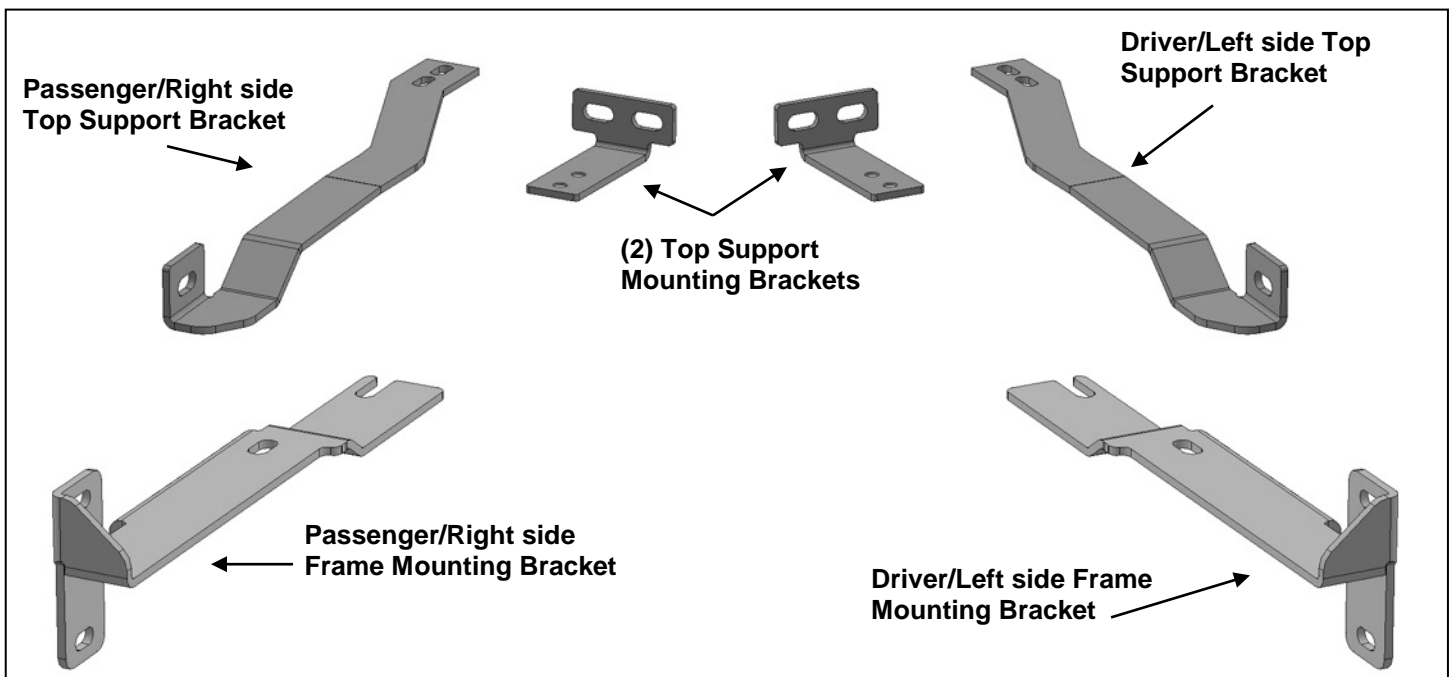


# **INSTALLATION INSTRUCTIONS**

**GRILLE GUARD  
2017-18 NISSAN TITAN  
(EXCLUDES TITAN "XD" MODELS)**

**PARTS LIST:**

1	Grille Guard	2	10-1.5mm x 30mm Button Head Bolts
1	Driver/Left Frame Mounting Bracket	4	10-1.5mm x 30mm Hex Bolts
1	Passenger/Right Frame Mounting Bracket	12	10mm x 27mm x 3mm Flat Washers
2	Top Support Mounting Brackets	6	10-1.5mm Nylon Lock Nuts
1	Driver/Left Side Top Support Bracket	4	8-1.25mm x 25mm Hex Bolts
1	Passenger/Right Side Top Support Bracket	4	8mm x 24mm OD x 2mm Flat Washers
4	12-1.25mm x 55mm <b>Fine Thread</b> Hex Bolts	4	8mm Lock Washers
4	12mm x 37mm x 3mm Flat Washers	2	250mm x 50mm x 1mm Adhesive Backed Foam Tape
4	12mm Lock Washers	1	Allen Wrench



**PROCEDURE:**

**REMOVE CONTENTS FROM BOX. VERIFY ALL PARTS ARE PRESENT. READ INSTRUCTIONS CAREFULLY BEFORE STARTING INSTALLATION. INSTALLATION MAY INTERFERE WITH FRONT MOUNTED SENSORS. MINOR CUTTING MAY BE REQUIRED. ASSISTANCE IS RECOMMENDED.**

1. Start installation under the passenger side front of the vehicle. For easier access to hardware, remove the plastic splash guard from the bottom of the bumper. On models with tow hooks, remove the (2) hex bolts attaching the tow hook to the bottom of the frame and remove the tow hook, **(Figure 1)**. On models without tow hooks, mounting holes may be filled with hex bolts. Remove hex bolts if equipped.  
**NOTE:** Tow hooks cannot be reinstalled with Grille Guard.
2. Select the passenger/right side Frame Mounting Bracket, **(Figure 2)**. Insert Frame Bracket through the plastic cover in the bumper, **(Figure 3)**. Line up the slots in the Bracket with the threaded holes in the bottom of the frame for the tow hook. Reuse the factory tow hook bolts or the included (2) 12-1.25mm x 55mm **Special Fine Thread** Hex Bolts, (2) 12mm Lock Washers and (2) 12mm Flat Washers, **(Figure 4)**. **VERY IMPORTANT:** Use only the provided **12-1.25mm x 55mm Fine Thread Hex Bolts** to attach the Brackets to the vehicle or damage to the frame may result. Do not tighten hardware at this time.  
**NOTE:** Carefully trim cover to clear Bracket only if necessary.
3. Next, open the hood and remove the plastic cover from the top of the grille and radiator, **(Figure 5)**.  
**NOTE:** Insert flat blade screwdriver into clips attaching cover. Rotate clips 1/4 turn to release clips.
4. Once top cover is removed, next carefully remove the grille. Pay attention to the type and location of all fasteners for easier reinstallation.

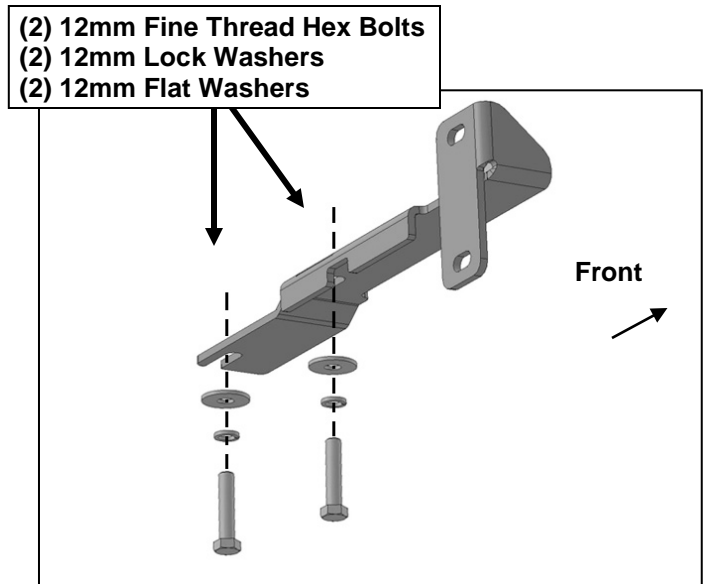
5. In the space between the bottom of the passenger side headlight assembly and the side of the radiator, locate and remove the bottom (2) factory hex bolts in the bottom of the body panel directly above the body mount, **(Figures 6 & 7)**. Select (1) Top Mounting Bracket. Reuse the (2) factory hex bolts to attach the Bracket to the body panel. Do not fully tighten hardware at this time.
6. Select the passenger/right Top Support Bracket, **(Figure 8)**. Apply a section of Adhesive Backed Foam Tape to the top and bottom of the Bracket as indicated. **IMPORTANT:** Cover any part of the Support Bracket that may come in contact with the bumper or fascia body panel.
7. Carefully slide the flat end of the Support Bracket through the gap between the top of the steel bumper and the bottom of the plastic fascia body panel, **(Figure 9)**. Attach the Top Support Bracket to the Top Mounting Bracket with (2) 8mm x 25mm Hex Bolts, (2) 8mm Lock Washers and (2) 8mm Flat Washers, **(Figures 10 & 11)**. Do not fully tighten hardware at this time.
8. Repeat **Steps 1—7** to install the driver/left Frame Mounting Bracket, Top Mounting Bracket and Support Bracket.
9. With assistance, position the Grille Guard onto the outside of the Brackets. Attach the Grille Guard to the Frame Brackets with (4) 10mm Hex Bolts, (8) 10mm Flat Washers and (4) 10mm Nylon Lock Nuts, **(Figures 12 & 13)**. Attach the Top Support Brackets to the Grille Guard with (2) 10mm Button Head Bolts, (4) 10mm Flat Washers and (2) 10mm Nylon Lock Nuts. Do not tighten at this time.
10. Level and adjust the Grille Guard and fully tighten all hardware.
11. Reinstall the grille, plastic cover and splash guard if removed.
12. Do periodic inspections to the installation to make sure that all hardware is secure and tight.

**To protect your investment**, wax this product after installing. Regular waxing is recommended to add a protective layer over the finish. Do not use any type of polish or wax that may contain abrasives that could damage the finish. Mild soap may be used to clean the Grille Guard.

### Passenger/Right Side Installation Pictured

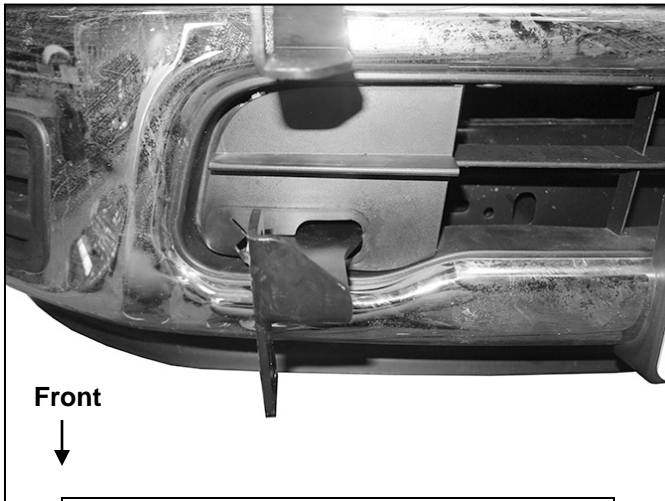


**(Fig 1) Passenger/right side equipped with factory tow hook**

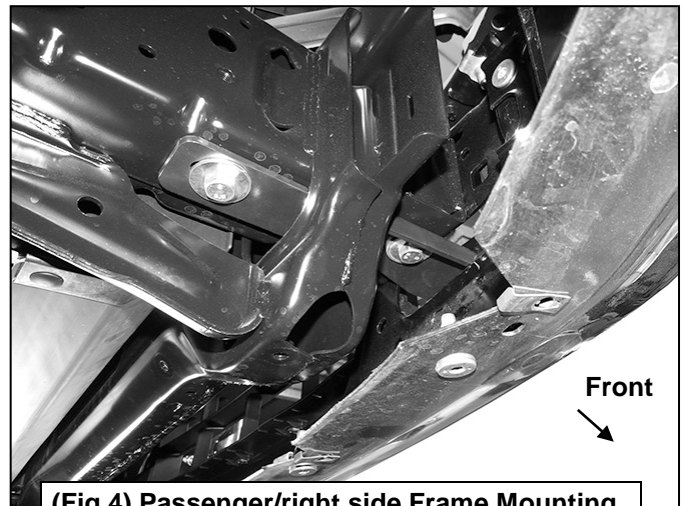


**(Fig 2) Passenger/right side Frame Mounting Bracket installed. Reuse factory tow hook bolts or supplied hardware**

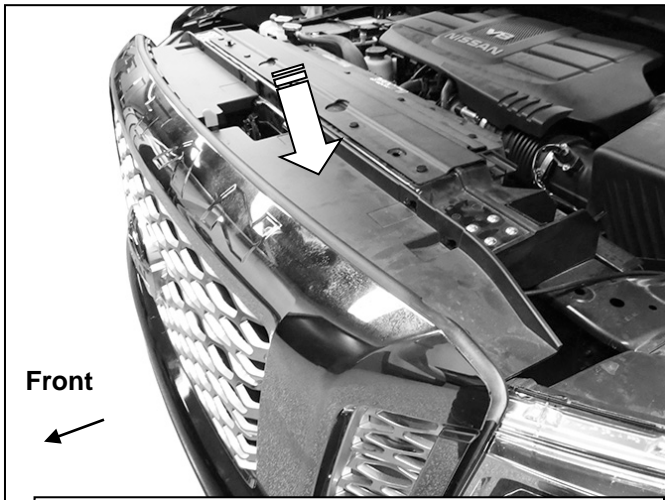
### Passenger/Right Side Installation Pictured



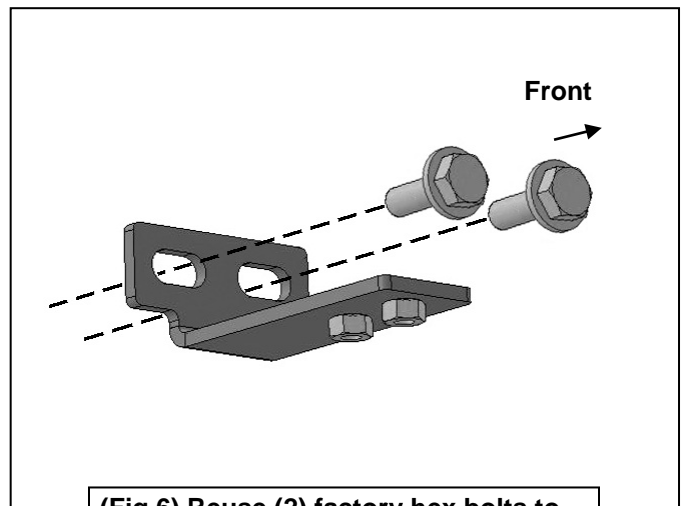
(Fig 3) Slide Passenger/right side Bracket through opening in cover for tow hook



(Fig 4) Passenger/right side Frame Mounting Bracket installed (pictured from below)

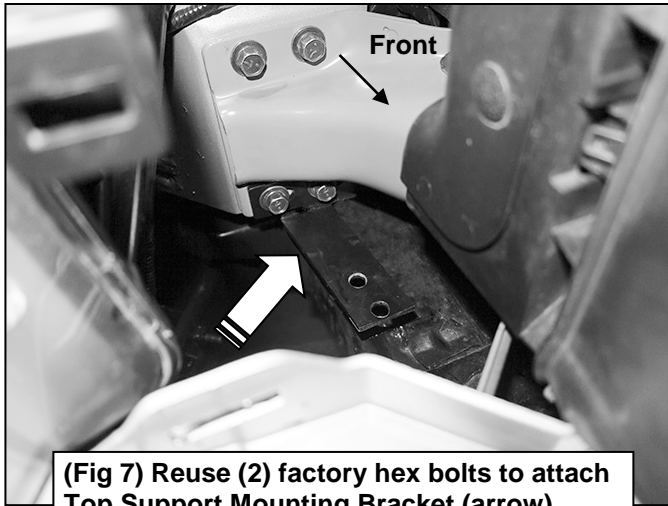


(Fig 5) Remove plastic cover (arrow) and grille

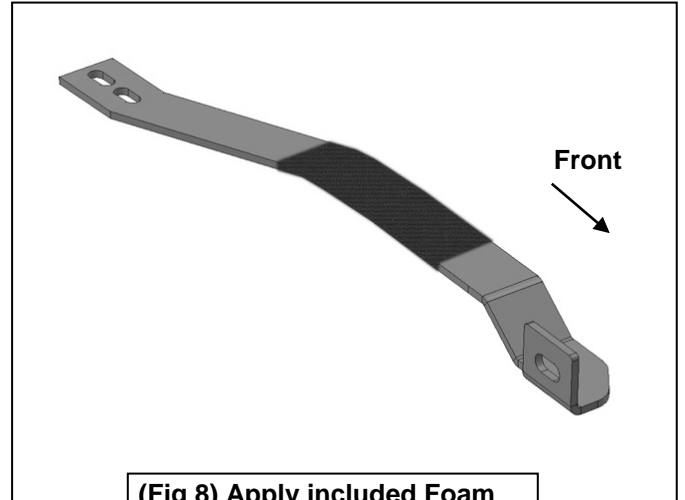


(Fig 6) Reuse (2) factory hex bolts to attach Top Support Mounting Bracket

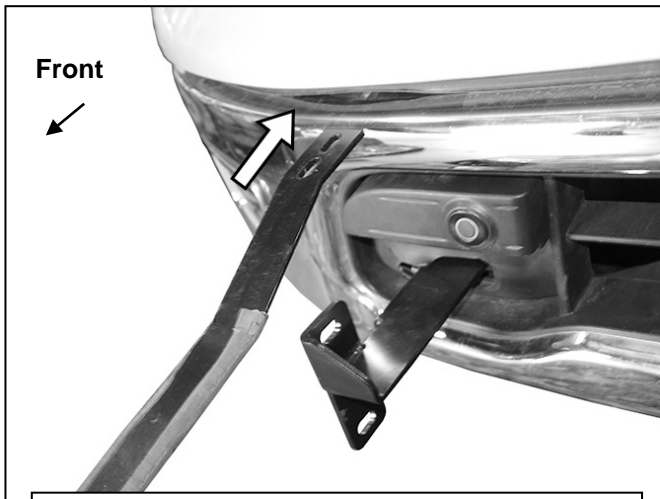
### Passenger/Right Side Installation Pictured



(Fig 7) Reuse (2) factory hex bolts to attach Top Support Mounting Bracket (arrow)

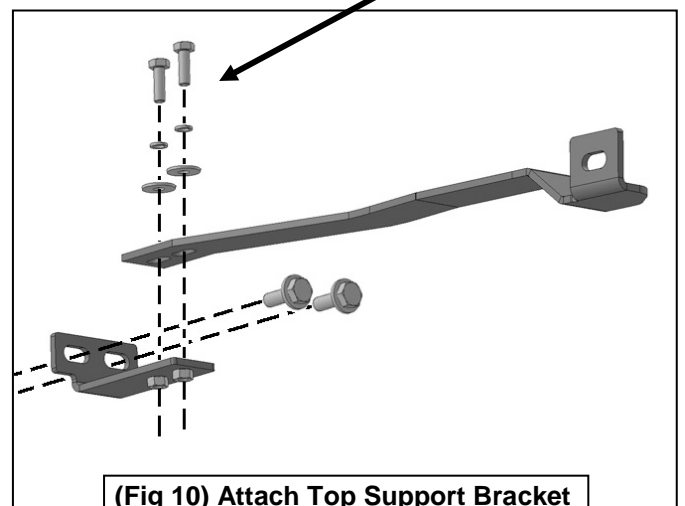


(Fig 8) Apply included Foam Tape to Top Support Brackets



(Fig 9) Slide Top Support Bracket between plastic fascia body panel and top of bumper

- (2) 8mm x 25mm Hex Bolts
- (2) 8mm Lock Washers
- (2) 8mm Flat Washers



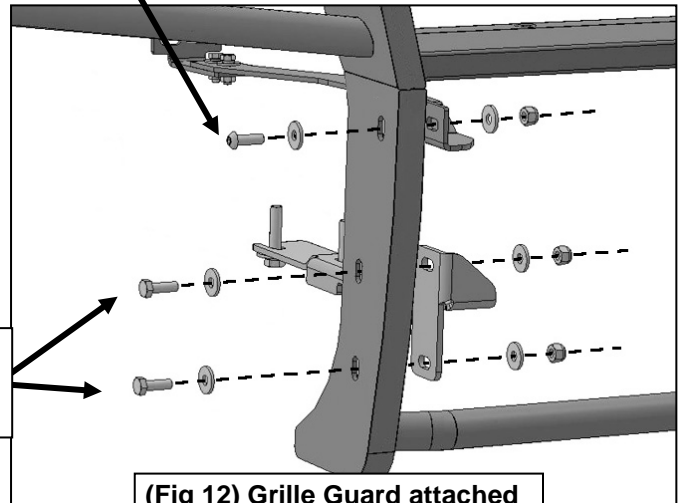
(Fig 10) Attach Top Support Bracket to top of Mounting Bracket

**Passenger/Right Side Installation Pictured**



**(Fig 11) Attach Top Support Bracket to top of Mounting Bracket**

**10mm x 30mm Button Head Bolt  
(2) 10mm Flat Washers  
10mm Nylon Lock Nut**



**(Fig 12) Grille Guard attached to top and bottom Brackets**

**(2) 10mm x 30mm Hex Bolts  
(4) 10mm Flat Washers  
(2) 10mm Nylon Lock Nuts**



**(Fig 13) Grille Guard attached to top and bottom Brackets**



**Complete Installation**