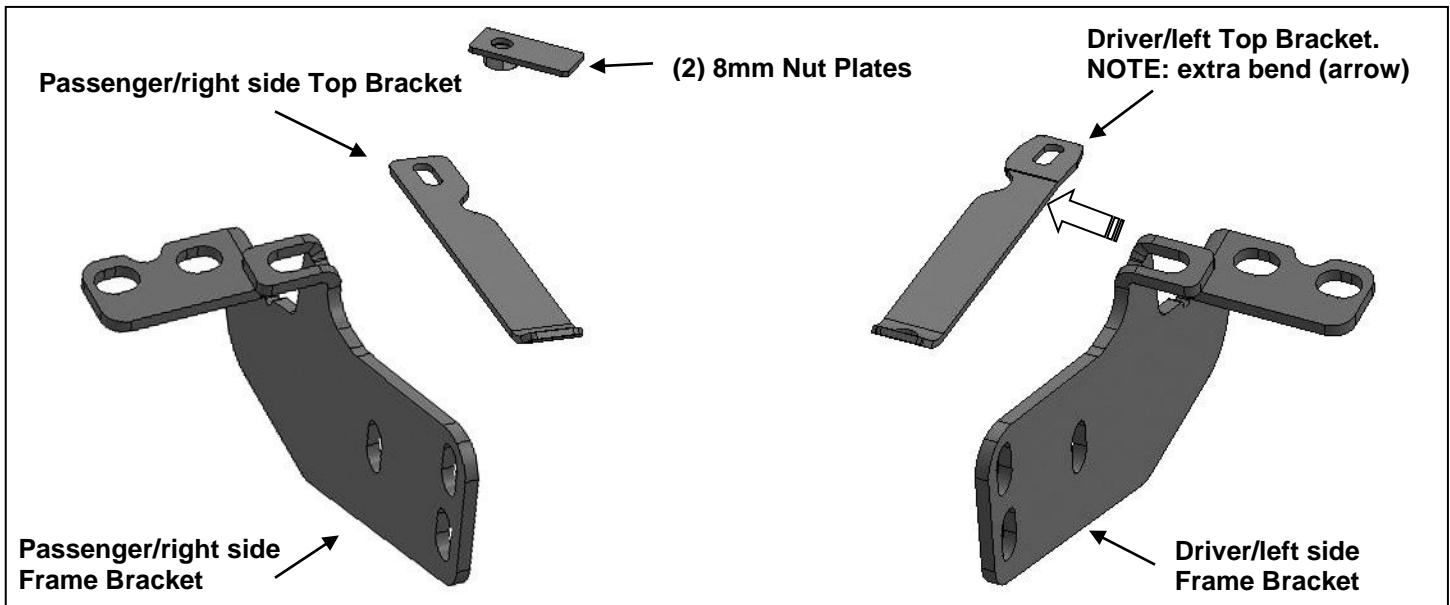




PARTS LIST:

Qty	Description	Qty	Description
1	Grille Guard	2	8mm Nut Plates
1	Driver/Left Frame Mounting Bracket	2	8-1.25mm x 25mm Hex Bolts
1	Passenger/Right Frame Mounting Bracket	2	8mm x 24mm OD x 2mm STD Flat Washers
1	Driver/Left Flat Top Support Bracket	2	8mm Lock Washers
1	Passenger/Right Flat Top Support Bracket	2	6-1.0mm x 25mm Button Head Screws
6	12-1.75mm x 35mm Hex Bolts	2	6mm x 12mm OD x 1.6mm Small Flat Washers
12	12mm x 32mm OD x 3mm Flat Washers	2	6mm Lock Washers
6	12mm Lock Washers	1	4mm Wrench
6	12mm Hex Nuts	1	400mm x 50mm Foam Tape



PROCEDURE:

REMOVE CONTENTS FROM BOX. VERIFY ALL PARTS ARE PRESENT. READ INSTRUCTIONS CAREFULLY BEFORE STARTING INSTALLATION. CUTTING IS REQUIRED. ASSISTANCE IS RECOMMENDED.

1. Starting under the front of the vehicle, remove the plastic splash guard and place it on a clean, stable work surface, **(Figure 14)**. **IMPORTANT:** Pay close attention to the location of all two-piece plastic clips and screws to make reinstallation easier. Use a small flat blade screwdriver to gently pry up the plastic center pin to release the clips and remove the center pin and the plastic housing, **(Figure 5)**.
2. Locate the (4) factory hex bolts securing each end of the crossmember to the frame, **(Figure 1)**. **NOTE:** Only install one Mounting Bracket at a time and only remove the (3) factory hex bolts required for Bracket installation, **(Figure 1)**. Select the driver side Frame Mounting Bracket, **(Figure 2)**. Reuse the factory hex bolts to attach the Frame Bracket to the crossmember, **(Figure 3)**. Snug the hardware but do not tighten at this time. Repeat this **Step** for the passenger side Mounting Bracket installation.
3. Open the front hood and remove the plastic clips attaching the cover to the radiator core support, **(Figures 4 & 5)**. **NOTE:** Do not remove the cover, only remove the clips so that the cover can be moved. Select the driver and passenger side Top Brackets. Apply a section of the included 50mm wide Foam Tape to the bottom of both Brackets to protect the finish on the plastic grille, **(Figures 6A & 6B)**.
4. Locate the plastic clip on the driver side of the hood release lever attaching the grille to the crossmember, **(Figure 7)**. Select (1) 8mm Nut Plate and the driver side Top Bracket. **NOTE:** Driver side Top Bracket has an extra bend. Insert the Nut Plate into and behind the crossmember. Slide the inner flat end of the Top Bracket under the rubber hood seal, **(Figures 8 & 9)**. Attach the Top Bracket to the Nut Plate with (1) 8mm Hex Bolt, (1) 8mm Lock Washer and (1) 8mm Flat Washer. Do not tighten hardware at this time.

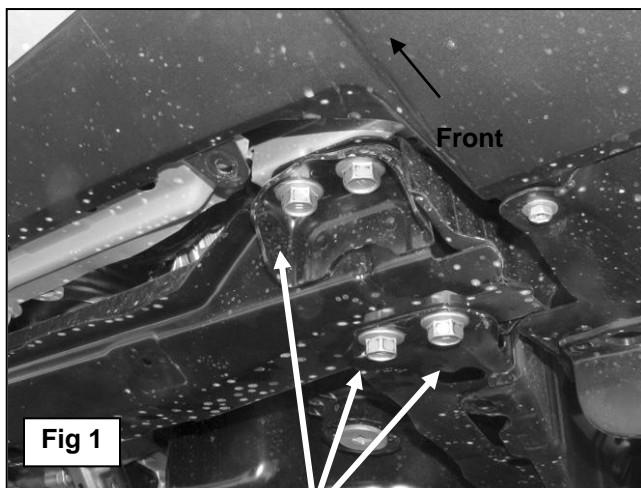
**GRILLE GUARD
2016-17 TOYOTA RAV4**

- Next, remove the screw-on rubber bumper from the top of the grille on the passenger side of the hood release lever, **(Figure 7)**. Repeat **Step 4** to attach the passenger side Top Bracket to the top of the crossmember, **(Figures 8 & 9)**. Do not tighten hardware at this time.
- With assistance, slide the Grille Guard up to the outside of the Frame Mounting Brackets. Attach the Grille Guard to the Frame Brackets with (6) 12mm x 35mm Hex Bolts, (12) 12mm Flat Washers, (6) 12mm Lock Washers and (6) 12mm Hex Nuts, **(Figures 10 & 11)**. Do not fully tighten at this time.
- Next, push the Grille Guard into position to meet the Top Brackets. Attach the Top Brackets to the bottom of the tube on the Grille Guard with (2) 6mm x 25mm Button Head Screws, (2) 6mm Lock Washers and (2) 6mm x 12mm Small Flat Washers. **(Figures 12 & 13)**.
- Level and adjust the Grille Guard and tighten all Frame Bracket to chassis hardware only. Temporarily remove the Grille Guard. Hold the plastic splash guard up in position against the Frame Brackets. Mark the location of the Brackets onto the cover. Carefully cut the splash guard only enough to clear the Frame Brackets, **(Figure 14)**. Do not cut completely through the front edge of the cover. Do not cut off any mounting locations from the cover. To maintain strength, cut only material that is required to clear the Frame Mounting Brackets. Once cut and trimmed for clearance, slide the splash guard over the Brackets but do not reinstall at this time, leave loose.
- Reinstall the Grille Guard as described in **Steps 6 & 7**. Adjust and fully tighten all hardware. Reattach the lower splash guard using the factory hardware.
- Slowly close the hood to check for clearance between the Grille Guard, Top Support Brackets and the hood. Align and adjust as required to completely close the hood. **NOTE:** It may be necessary to remove the Top Support Brackets and adjust the bends to fit properly. Once completely adjusted, tighten all hardware at this time.
- Once the hood and/or Brackets are properly adjusted, reattach the the cover over the radiator using the factory hardware, **(Figure 4)**.
- Do periodic inspections to the installation to make sure that all hardware is secure and tight.

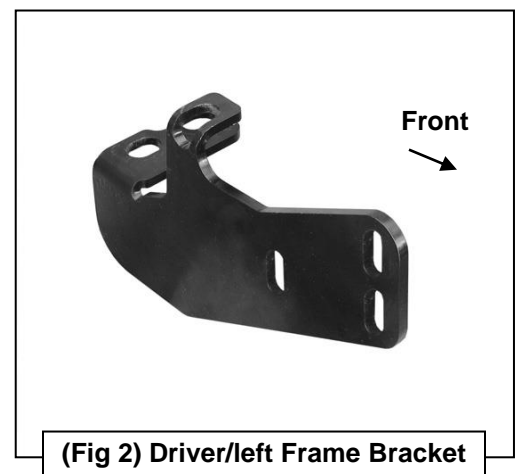
To protect your investment, wax this product after installing. Regular waxing is recommended to add a protective layer over the finish. Do not use any type of polish or wax that may contain abrasives that could damage the finish.

For stainless steel: Aluminum polish may be used to polish small scratches and scuffs on the finish. Mild soap may be used also to clean the Grille Guard.

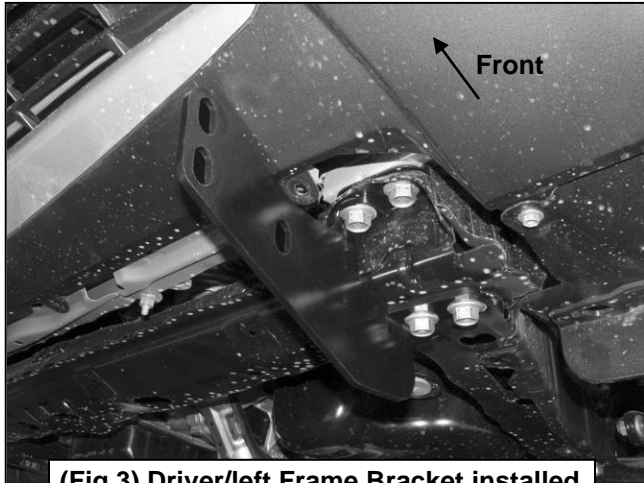
For gloss black finishes: Mild soap may be used to clean the Grille Guard.



Remove (3) factory hex bolts



Driver Side Installation Pictured



(Fig 3) Driver/left Frame Bracket installed

Remove the clips
attaching plastic cover

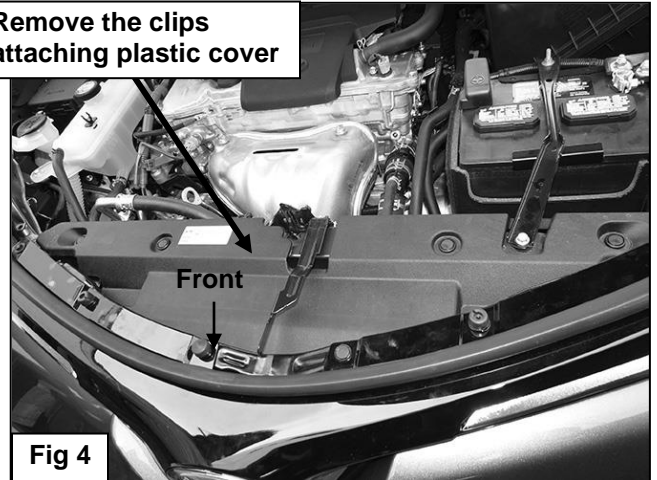


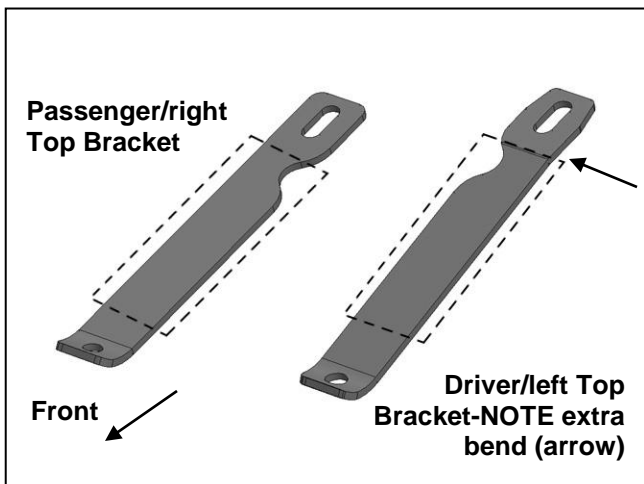
Fig 4



(Fig 5) Example of pop-up style clips: Use a small flat bladed screwdriver to gently pry up the center pin to release clip.

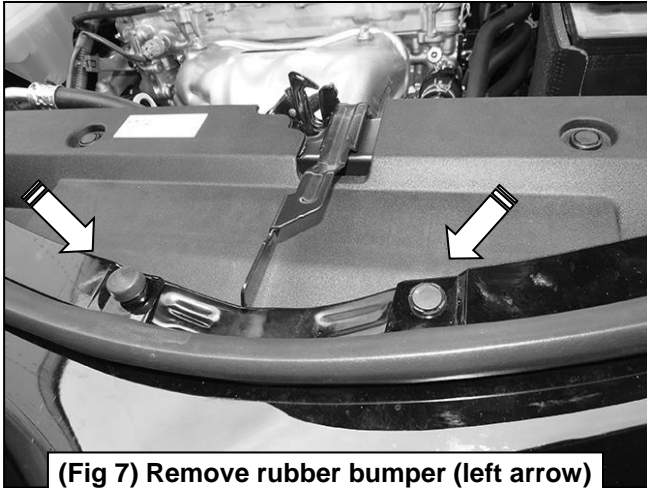


(Fig 6A) Apply Adhesive Backed Foam Tape to bottom of Top Support Brackets

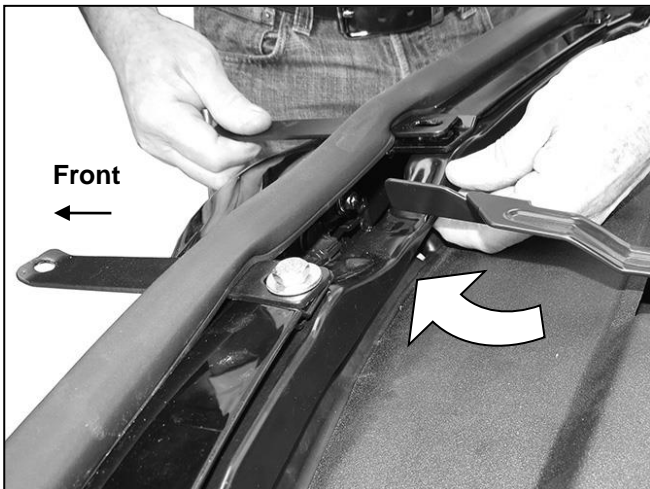


(Fig 6B) Apply Adhesive Backed Foam Tape to bottom of both Top Brackets

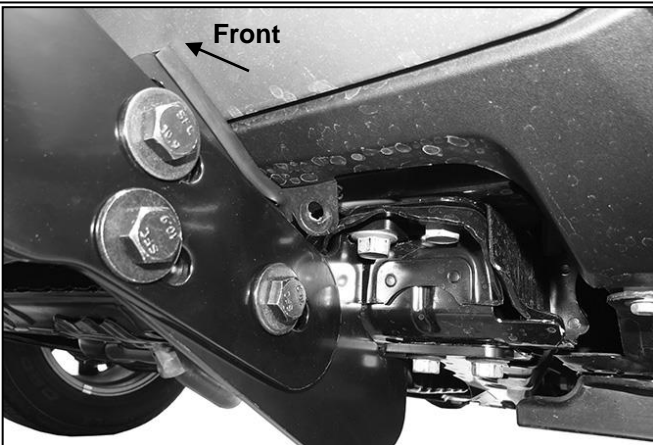
Driver Side Installation Pictured



(Fig 7) Remove rubber bumper (left arrow) and plastic clip (right arrow)

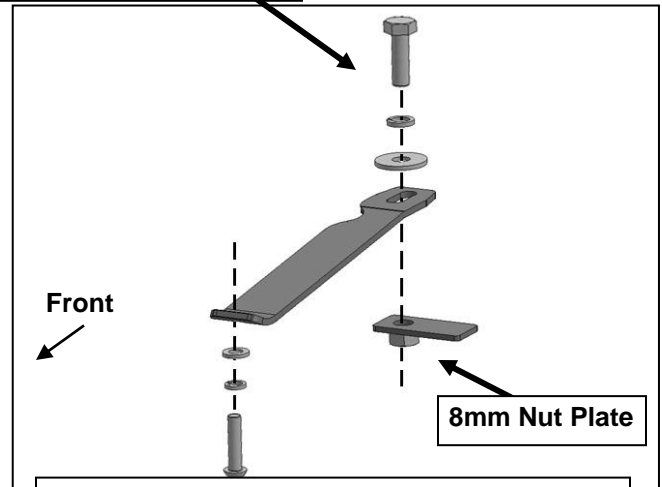


(Fig 9) Hold 8mm Nut Plate up to underside of metal cross member. Attach Top Bracket to Nut Plate, (passenger/right pictured during installation)



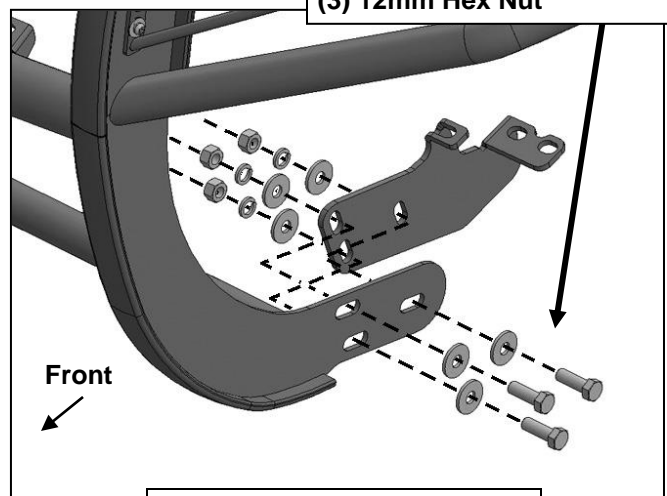
(Fig 11) Driver/left installation

8mm x 25mm Hex Bolt
8mm Lock Washer
8mm Flat Washer



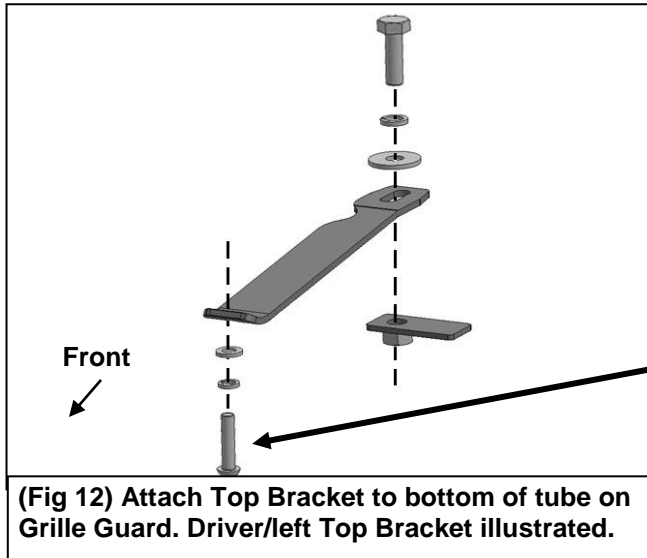
(Fig 8) Slide 8mm Nut Plate under cross member. Attach flat end of Top Bracket to Nut Plate. Driver/left Top Bracket illustrated.

(3) 12mm x 35mm Hex Bolts
(6) 12mm Flat Washers
(3) 12mm Lock Washer
(3) 12mm Hex Nut



(Fig 10) Attach Grille Guard to outside of Frame Brackets

Driver Side Installation Pictured



6mm x 25mm Button Head Screw
6mm Lock Washer
6mm Flat Washer

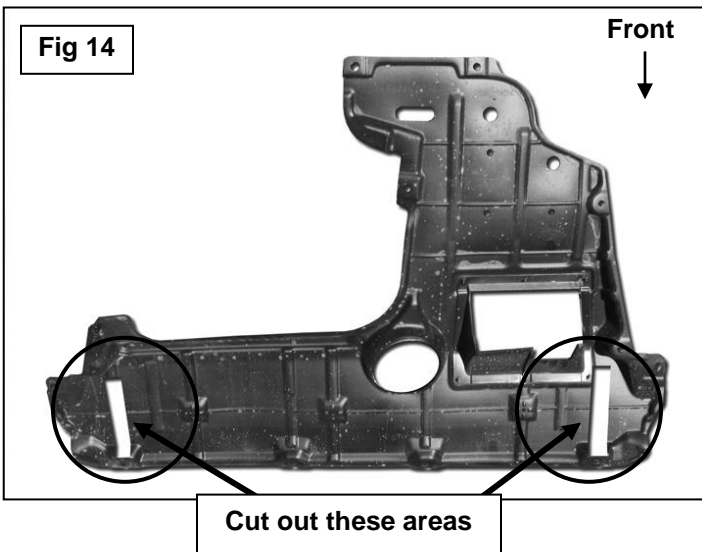
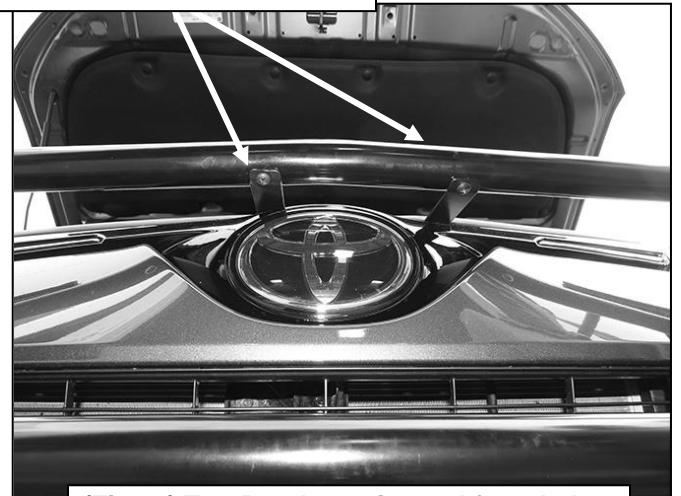


Figure 14 illustration is for example only. To maintain the strength of the splash guard, only trim away enough material to clear the Mounting Brackets

