



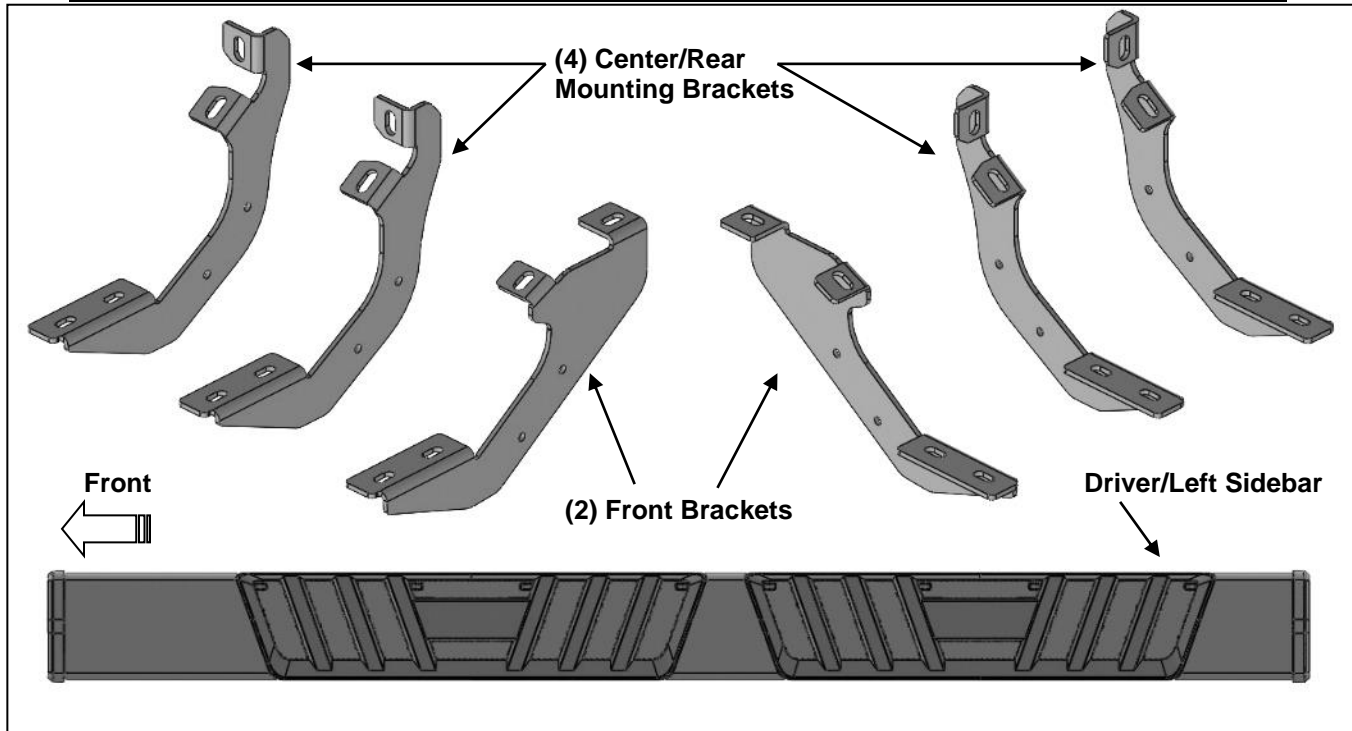
# **INSTALLATION INSTRUCTIONS**

**T6 SIDEBAR**

**2019 FORD RANGER SUPERCAB**

**PARTS LIST:**

1	Driver/Left Sidebar	12	10mm x 27mm x 3mm Flat Washers
1	Passenger/Right Sidebar	6	8mm x 35mm Double Bolt Plates
2	Front Mounting Brackets	12	8mm x 24mm x 2mm Flat Washers
4	Center/Rear Mounting Brackets	12	8mm Lock Washers
12	10-1.5mm x 25mm Hex Bolts	12	8mm Hex Nuts
12	10mm Lock Washers		

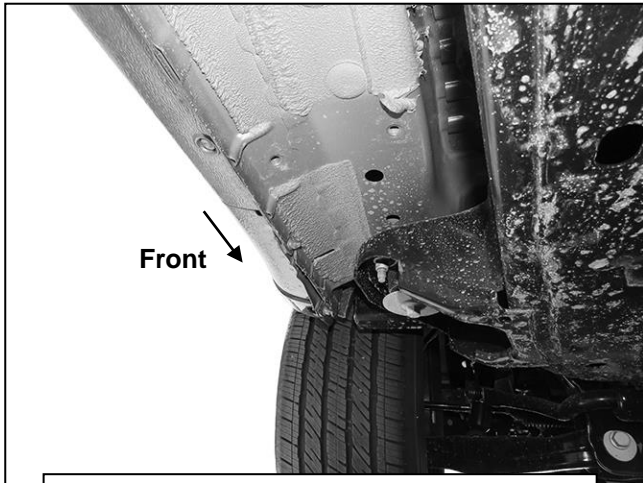


**PROCEDURE:**

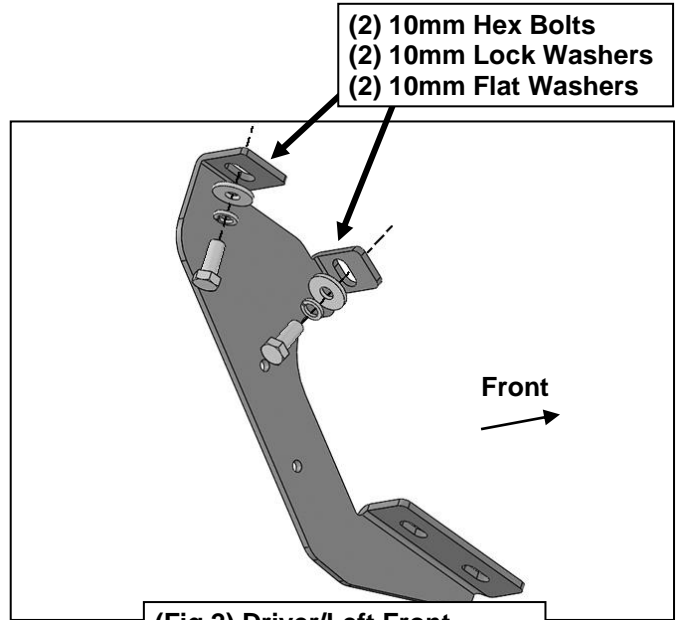
- 1. REMOVE CONTENTS FROM BOX. VERIFY ALL PARTS ARE PRESENT. READ INSTRUCTIONS CAREFULLY BEFORE STARTING INSTALLATION.**
- Starting from underneath the Driver/Left side inner rocker panel, locate the threaded mounting holes on the rocker panel. Remove the plastic plugs covering the mounting holes. Select (1) Front Mounting Bracket. Attach to Driver/Left front location with (2) 10mm Hex Bolts, (2) 10mm Lock Washers and (2) 10mm Flat Washers, **(Figures 1, 2 & 3)**. Do not tighten hardware at this time.
- Locate the center threaded mounting holes. Select (1) Center/Rear Mounting Bracket. Attach with (2) 10mm Hex Bolts, (2) 10mm Lock Washers and (2) 10mm Flat Washers, **(Figures 4, 5 & 6)**. Do not tighten hardware at this time.
- Repeat **Step 3** to install Rear Mounting Bracket, **(Figures 5 & 7)**.
- Unwrap the Driver/Left Sidebar. Place the Sidebar on top of the Brackets. Locate the channel in the bottom of the Sidebar. Select (3) 8mm Double Bolt Plates. Insert the Bolt Plates into the channel in the bottom of the Sidebar and slide to line up with the Mounting Brackets, **(Figure 8)**. Lift the Sidebar up and guide the studs down through the Brackets.
- Attach the Sidebar to the Mounting Brackets with (2) 8mm Flat Washers, (2) 8mm Lock Washers and (2) 8mm Hex Nuts, **(Figure 9)**. Do not tighten hardware at this time.
- Level and adjust Sidebar and tighten all hardware.
- Repeat **Steps 1—7** for Passenger/Right side installation.
- Do periodic inspections to the installation to make sure that all hardware is secure and tight.

**To protect your investment,** Do not use any type of polish or wax that may contain abrasives that could damage the finish. Mild soap may be used to clean the Sidebar.

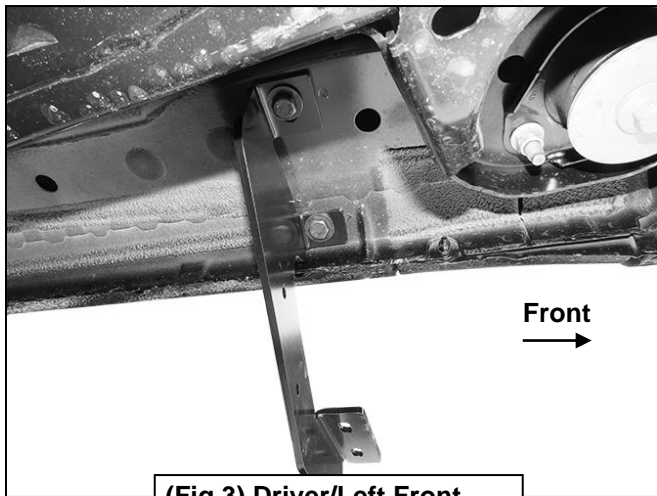
Driver/Left side Installation Pictured



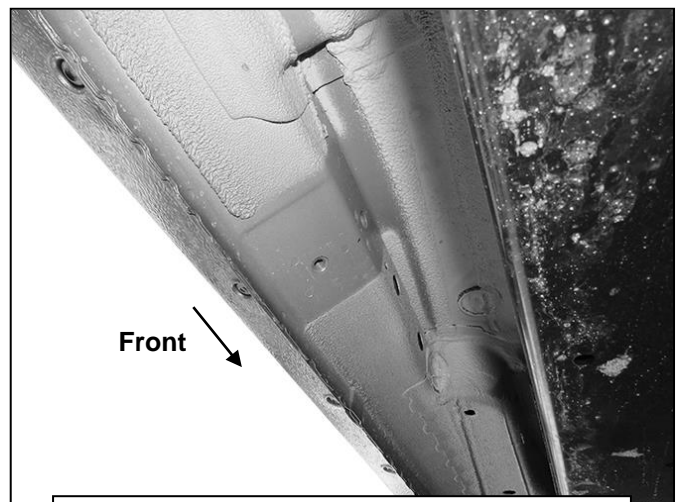
(Fig 1) Driver/Left front mounting location



(Fig 2) Driver/Left Front Mounting Bracket installation

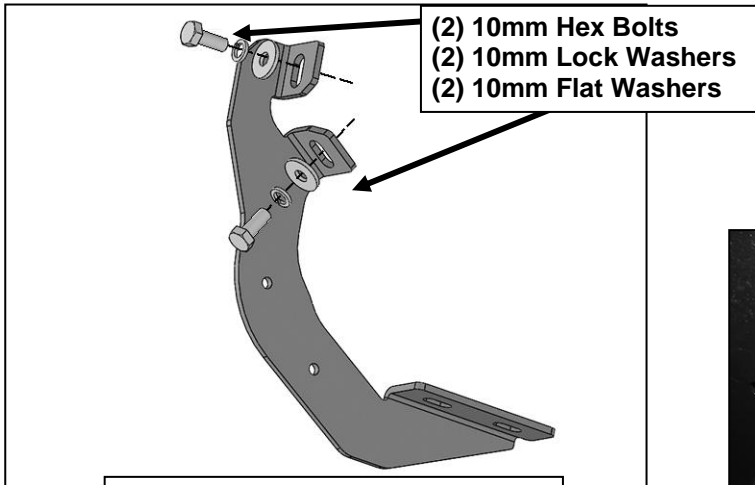


(Fig 3) Driver/Left Front Mounting Bracket attached

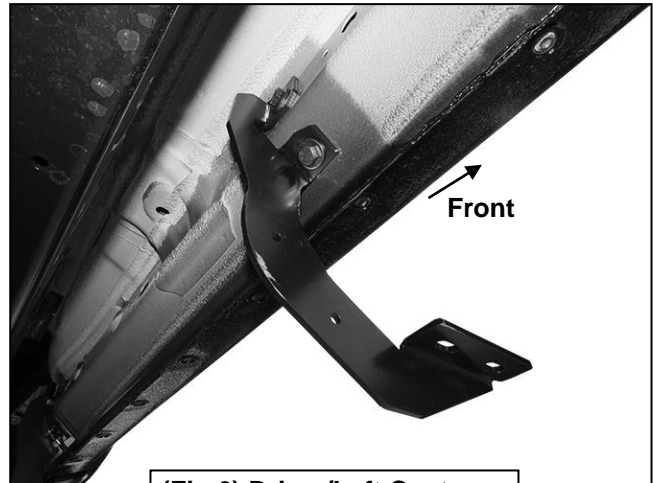


(Fig 4) Driver/Left Center mounting location

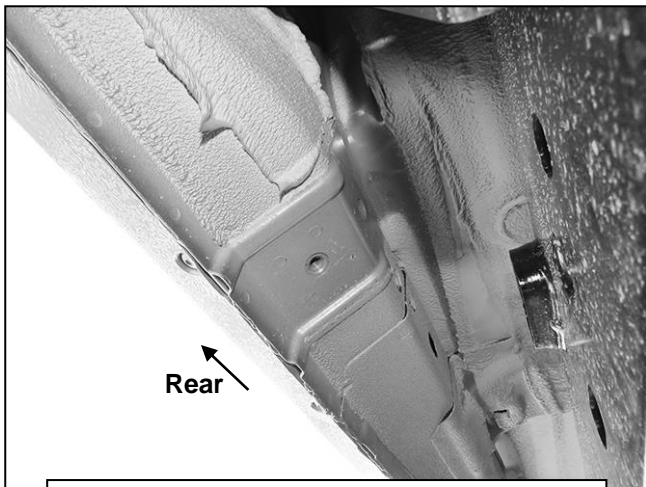
Driver/Left side Installation Pictured



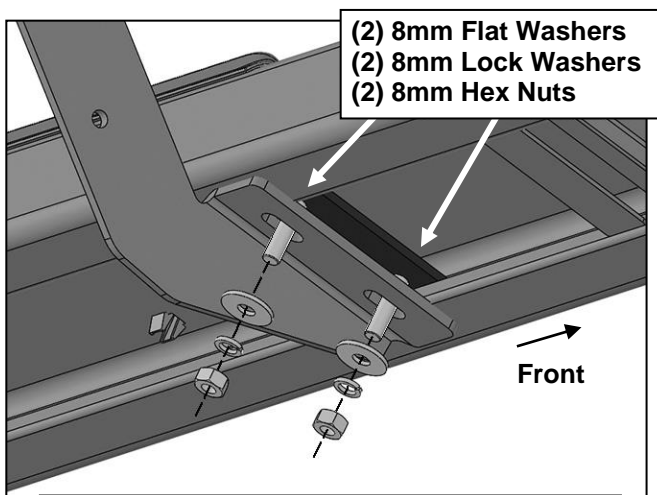
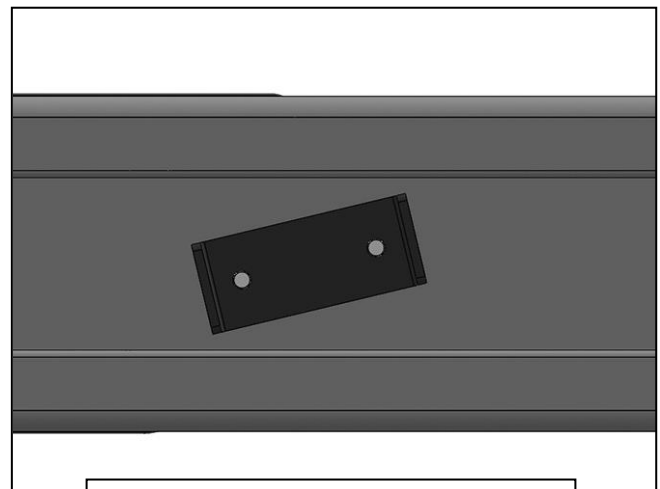
(Fig 5) Driver/Left Center and Rear mounting Bracket installation



(Fig 6) Driver/Left Center Mounting Bracket attached



(Fig 7) Driver/Left Rear mounting location



(Fig 9) Driver/Left Front Sidebar installation