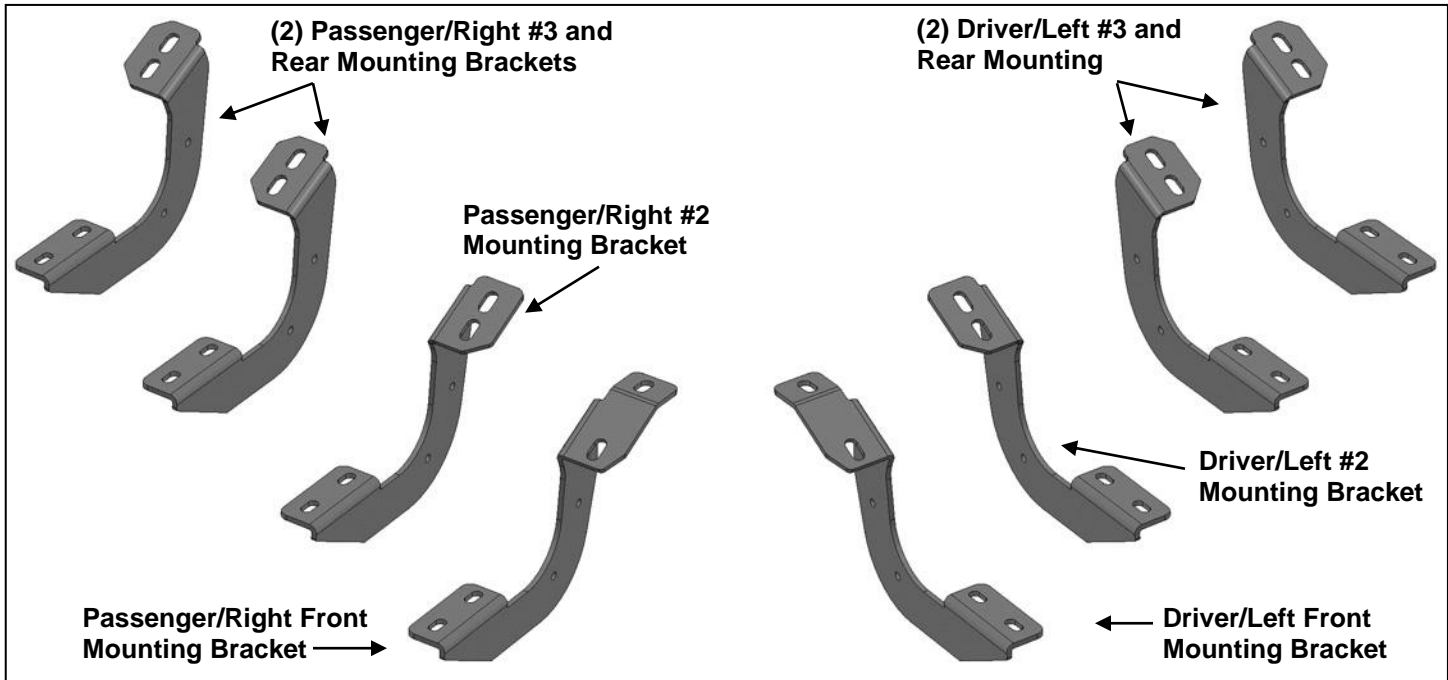


PARTS LIST:

2	T-6 Sidebars	2	Driver/Left #3 and Rear Mounting Brackets
8	8mm Double Bolt Plates	2	Passenger/Right #3 and Rear Mounting Brackets
1	Driver/Left Front Mounting Bracket	16	8-1.25mm x 30mm Hex Bolts
1	Passenger/Right Front Mounting Bracket	32	8mm Lock Washers
1	Driver/Left Center Mounting Bracket	32	8mm x 24mm OD x 2mm Flat Washers
1	Passenger/Right Center Mounting Bracket	16	8mm Hex Nuts



REMOVE CONTENTS FROM BOX. VERIFY ALL PARTS ARE PRESENT. READ INSTRUCTIONS CAREFULLY. ASSISTANCE IS RECOMMENDED.

- Starting on the driver side front of the vehicle, remove the existing (2) factory bolts, (or plastic plugs), on the side panel located by the front tire opening, **(Figure 1)**. This will be the mounting location for the driver side front Mounting Bracket.
- Select the driver side Front Bracket, **(Figure 2)**. Attach the Bracket to the vehicle using the included (2) 8mm x 30mm Hex Bolts, (2) 8mm Lock Washers and (2) 8mm Flat Washers. Do not tighten hardware.
- Move along the side panel to the next mounting location closest to the front Bracket, **(Figure 3)**. Repeat **Step 1 & 2** to install the driver side #2 Center Bracket, **(Figure 4)**. **VERY IMPORTANT:** Use the illustration above and **Figure 4** to select the correct Bracket. The #2 Brackets for the driver and passenger sides are unique and must be installed in the correct locations.
- Move to the next mounting location along the floor panel, **(Figure 5)**. Select (1) driver side #3 or Rear Bracket, **(Figure 7)**. Repeat **Steps 1 & 2** to install the Bracket. **IMPORTANT:** There are (4) mounting locations along the side of the vehicle. The #3 and rear Brackets are identical.
- Move to the last mounting location at the back of the cab, **(Figure 6)**. Repeat **Step 4** to install the driver side Rear Bracket, **(Figure 7)**.
- With assistance, carefully place the Side Bar onto the (4) Brackets. Select (4) 8mm Double Bolt Plates. Insert the Bolt Plates into the channels in the bottom of the Side Bar closest to the Brackets, **(Figure 8)**. Lift the Side Bar up and guide the studs down through the Brackets.
- Attach the Side Bar to the Brackets with (8) 8mm Flat Washers, (8) 8mm Lock Washers and (8) 8mm Hex Nuts, **(Figure 9)**. **NOTE:** The Side Bar is designed to fit close to the vehicle. It

may be necessary to loosen the Bracket hardware and tilt the Brackets downward to insert the Side Bar between the Brackets and the body. Do not tighten hardware at this time.

8. Level and adjust the Side Bar and fully tighten all hardware.
9. Repeat **Steps 1—8** for passenger Side Bar installation. **NOTE:** Measure from wheel opening to front end of Side Bar to make sure both Side Bars are installed in the same position.
10. Do periodic inspections to the installation to make sure that all hardware is secure and tight.

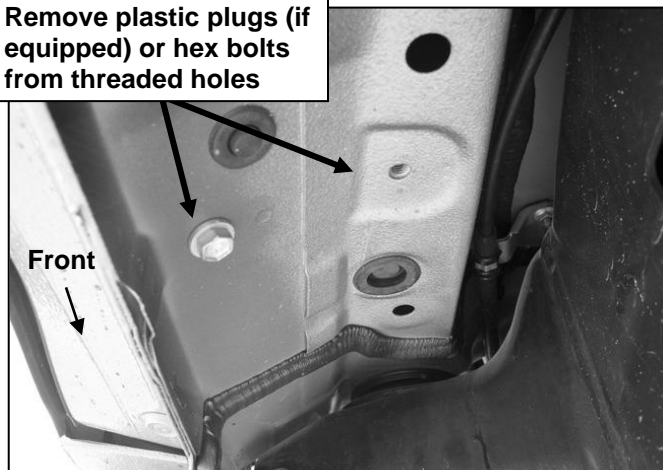
To protect your investment, wax this product after installing. Regular waxing is recommended to add a protective layer over the finish. Do not use any type of polish or wax that may contain abrasives that could damage the finish.

For stainless steel: Aluminum polish may be used to polish small scratches and scuffs on the finish. Mild soap may be used also to clean the Side Bar.

For gloss black finishes: Mild soap may be used to clean the Side Bar.

Driver Side Installation Pictured

Remove plastic plugs (if equipped) or hex bolts from threaded holes



(Fig 1) Driver/Left Front Mounting Location Pictured

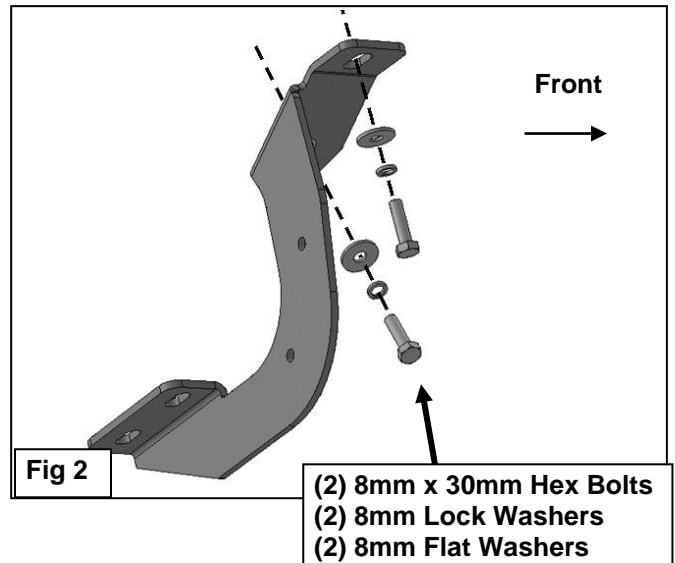
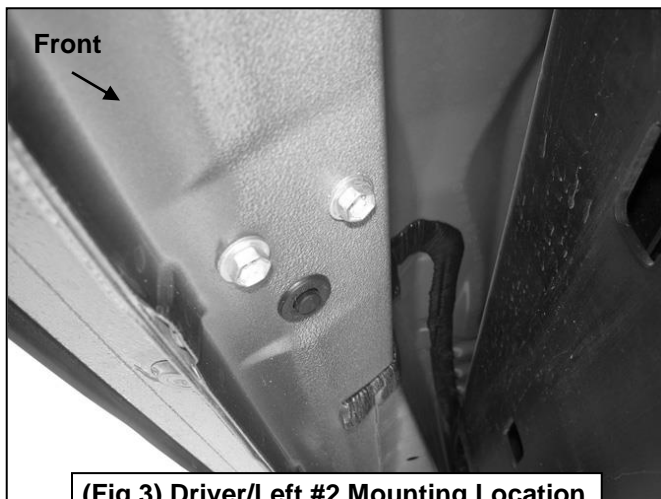
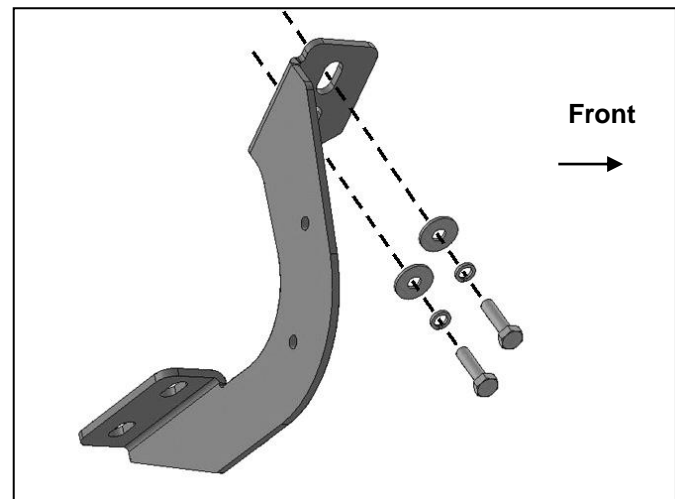


Fig 2

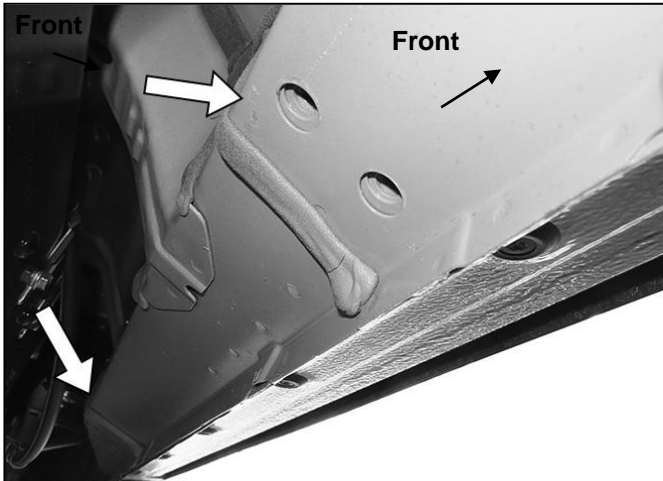


(Fig 3) Driver/Left #2 Mounting Location

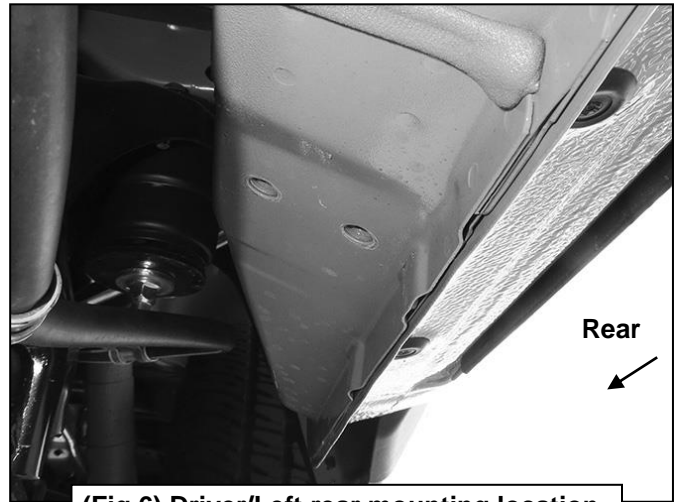


(Fig 4) Driver/Left #2 Bracket

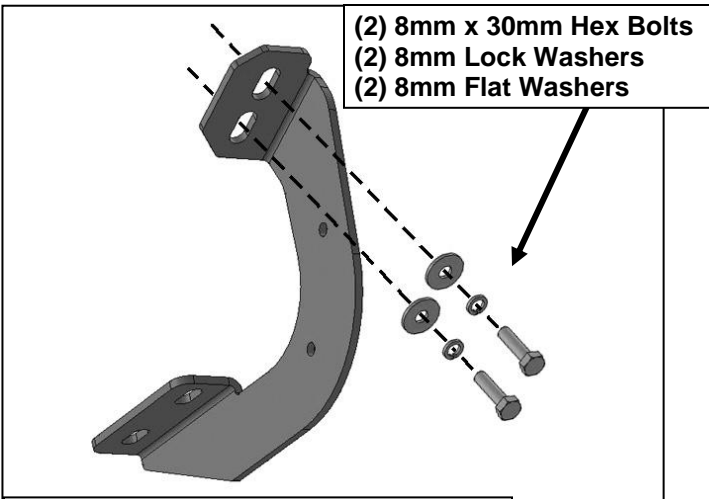
Driver Side Installation Pictured



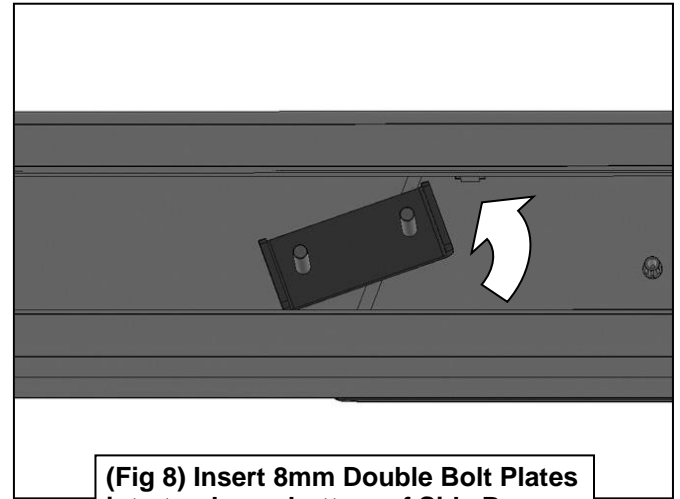
(Fig 5) Driver/Left #3 and rear mounting locations



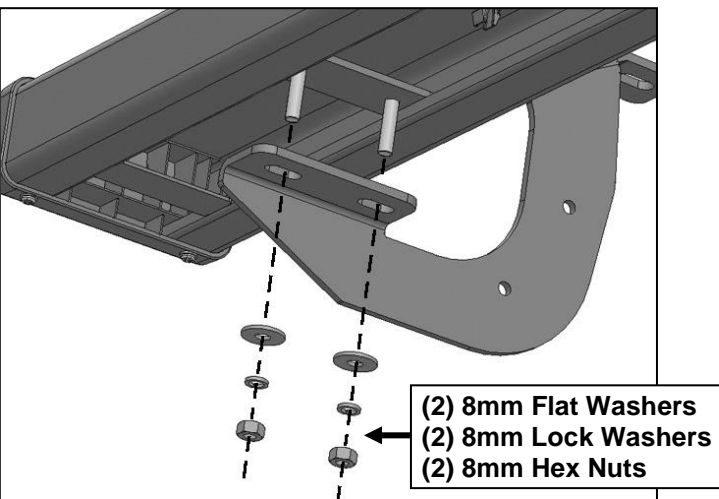
(Fig 6) Driver/Left rear mounting location



(Fig 7) Driver/Left #3 and rear Bracket



(Fig 8) Insert 8mm Double Bolt Plates into tracks on bottom of Side Bar



(Fig 9) Attach Bolt Plate in Side Bar to Brackets

