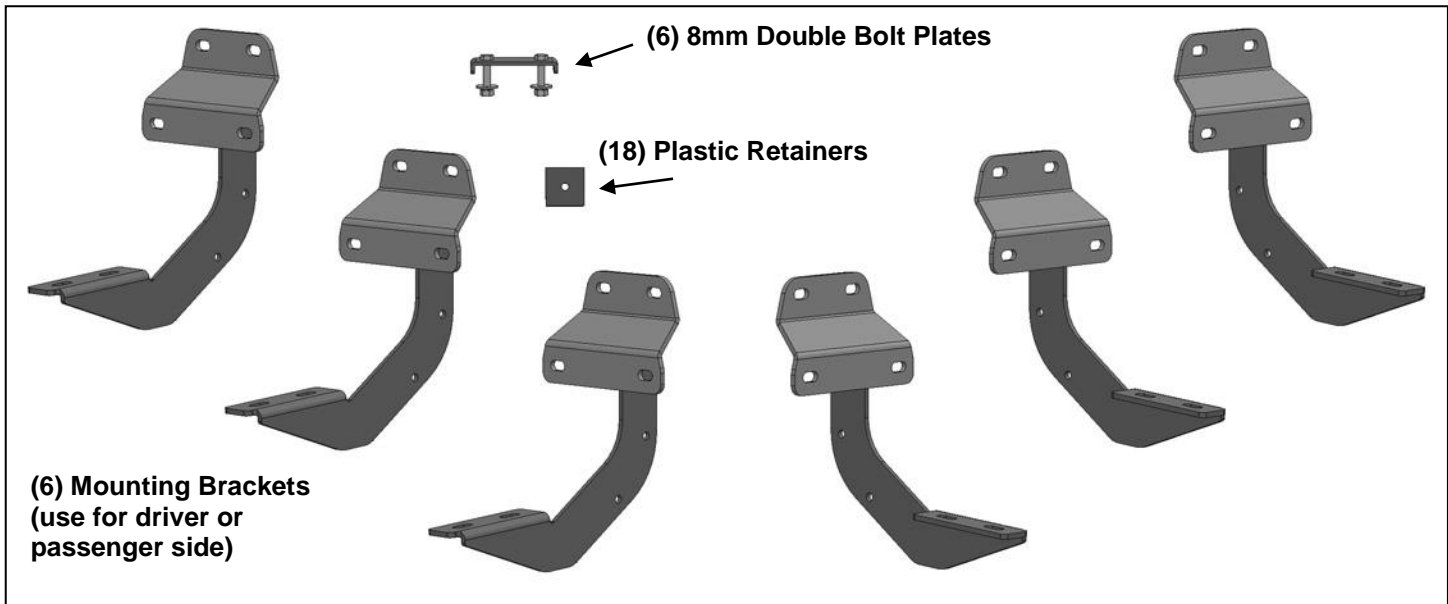


PARTS LIST:

2	T-6 Sidebars	30	8mm x 24mm OD x 2mm Flat Washers
6	Mounting Brackets (use left or right)	12	8mm Lock Washers
6	8mm Double Bolt Plates	12	8mm Hex Nuts
18	8mm Plastic Retainers	18	8mm Nylon Lock Nuts



REMOVE CONTENTS FROM BOX. VERIFY ALL PARTS ARE PRESENT. READ INSTRUCTIONS CAREFULLY. ASSISTANCE IS RECOMMENDED.

- Starting on the driver side front of the vehicle, locate the front factory running board mounting location along the inner side of the body, **(Figure 1)**. Use a wire brush or thread chaser die to remove excess paint or undercoating from threaded studs as necessary.
- Slide (1) Plastic Washer over each factory mounting stud in the body panel, **(Figures 1 & 2)**. **IMPORTANT:** The Plastic Washers are designed to prevent corrosion between the aluminum body panel and the steel mounting brackets. **Do not install the Mounting Bracket without first installing the Plastic Washers on all mounting studs.**
- Select (1) Mounting Bracket. **NOTE:** All (6) Brackets are universal and will fit left or right side. Attach the Mounting Bracket to the (3) factory studs with (3) 8mm Flat Washers and (3) 8mm Nylon Lock Nuts, **(Figures 2 & 3)**. Leave hardware loose at this time.
- Repeat **Steps 1—3** to install the center and rear driver side Brackets, **(Figures 4 & 5)**.
- With assistance, carefully place (1) Side Bar onto the (3) Brackets. Select (3) 8mm Double Bolt Plates. Insert the Bolt Plates into the channels in the bottom of the Side Bar closest to the Brackets, **(Figure 6)**. Lift the Side Bar up and guide the studs down through the Brackets.
- Attach the Side Bar to the Brackets with (6) 8mm Flat Washers, (6) 8mm Lock Washers and (6) 8mm Hex Nuts, **(Figures 7 & 8)**. **NOTE:** The Side Bar is designed to fit close to the vehicle. It may be necessary to loosen the Bracket hardware and tilt the Brackets downward to insert the Side Bar between the Brackets and the body. Do not tighten hardware at this time.
- Line up the front of the Side Bar approximately 2" back, (or locate as desired), from the front wheel opening. Level and adjust the Side Bar and fully tighten all hardware.
- Repeat **Steps 1—7** to install the passenger/right Side Bar. **NOTE:** Measure from wheel opening to end of Side Bar to make sure both Side Bars are installed in the same position.
- Do periodic inspections to the installation to make sure that all hardware is secure and tight.

To protect your investment, wax this product after installing. Regular waxing is recommended to add a protective layer over the finish. Do not use any type of polish or wax that may contain abrasives that could damage the finish.

For stainless steel: Aluminum polish may be used to polish small scratches and scuffs on the finish. Mild soap may be used also to clean the Side Bar.

For gloss black finishes: Mild soap may be used to clean the Side Bar.

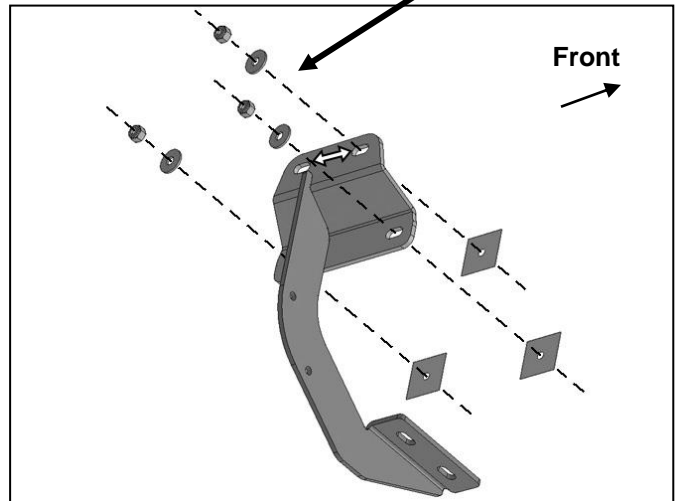
Driver Side Installation Pictured

(3) Plastic Insulation Washers

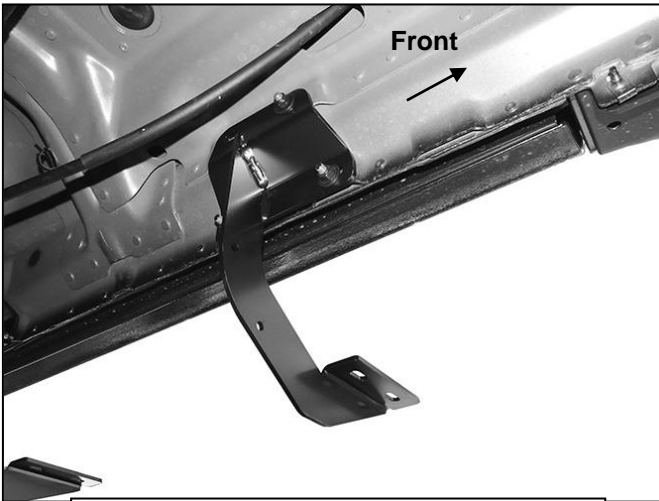


(Fig 1) Driver/Left Front Mounting Location Pictured

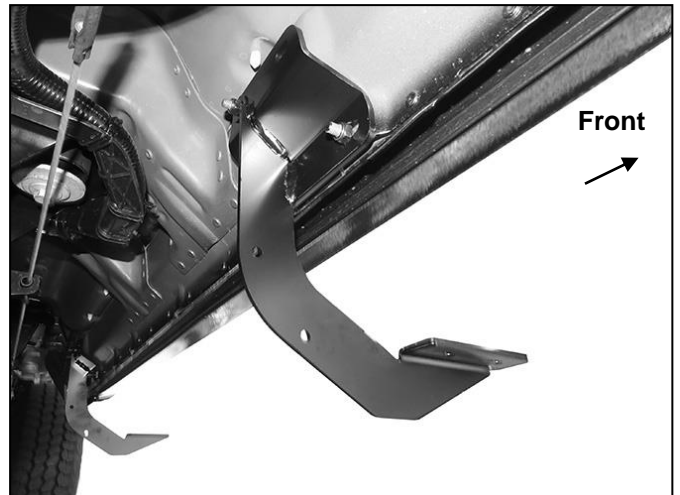
(3) 8mm Flat Washers
(3) 8mm Nylon Lock Nuts



(Fig 2) Attach Bracket to factory threaded studs

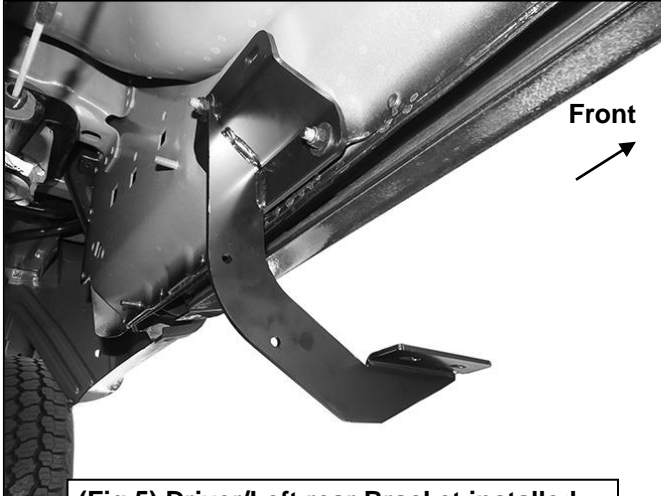


(Fig 3) Driver/Left front Bracket installed

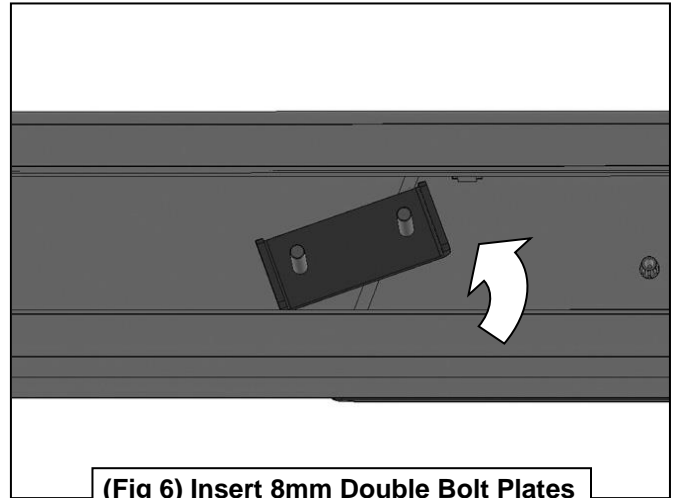


(Fig 4) Driver/Left center and rear Brackets installed

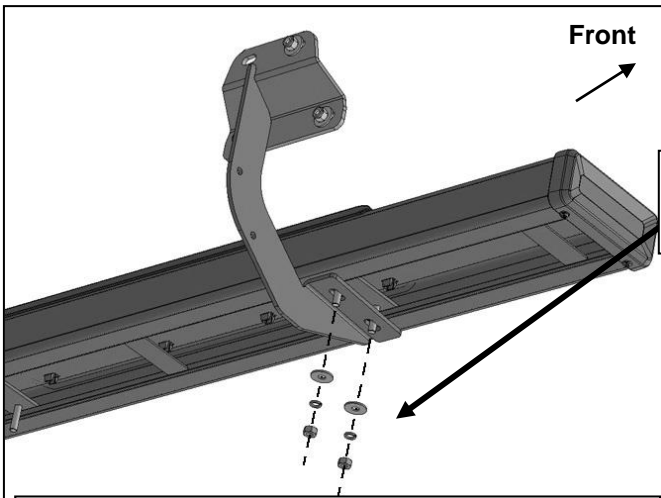
Driver Side Installation Pictured



(Fig 5) Driver/Left rear Bracket installed

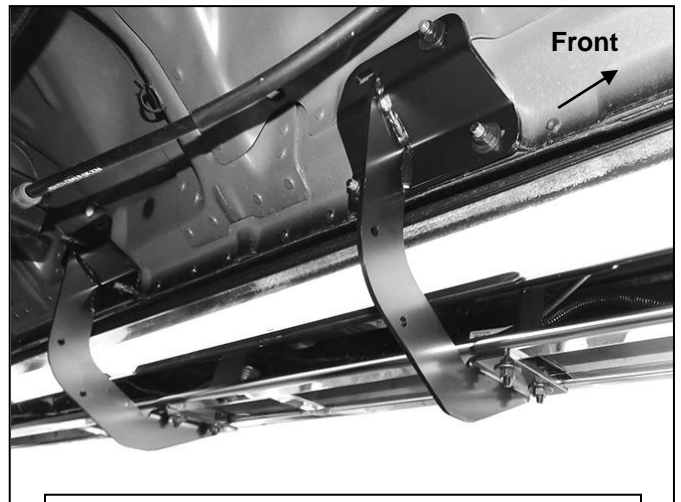


(Fig 6) Insert 8mm Double Bolt Plates into tracks on bottom of Side Bar



- (2) 8mm Flat Washers
- (2) 8mm Lock Washers
- (2) 8mm Hex Nuts

(Fig 7) Attach Bolt Plate in Side Bar to Brackets



(Fig 8) Driver/left front and center installation



Complete Installation