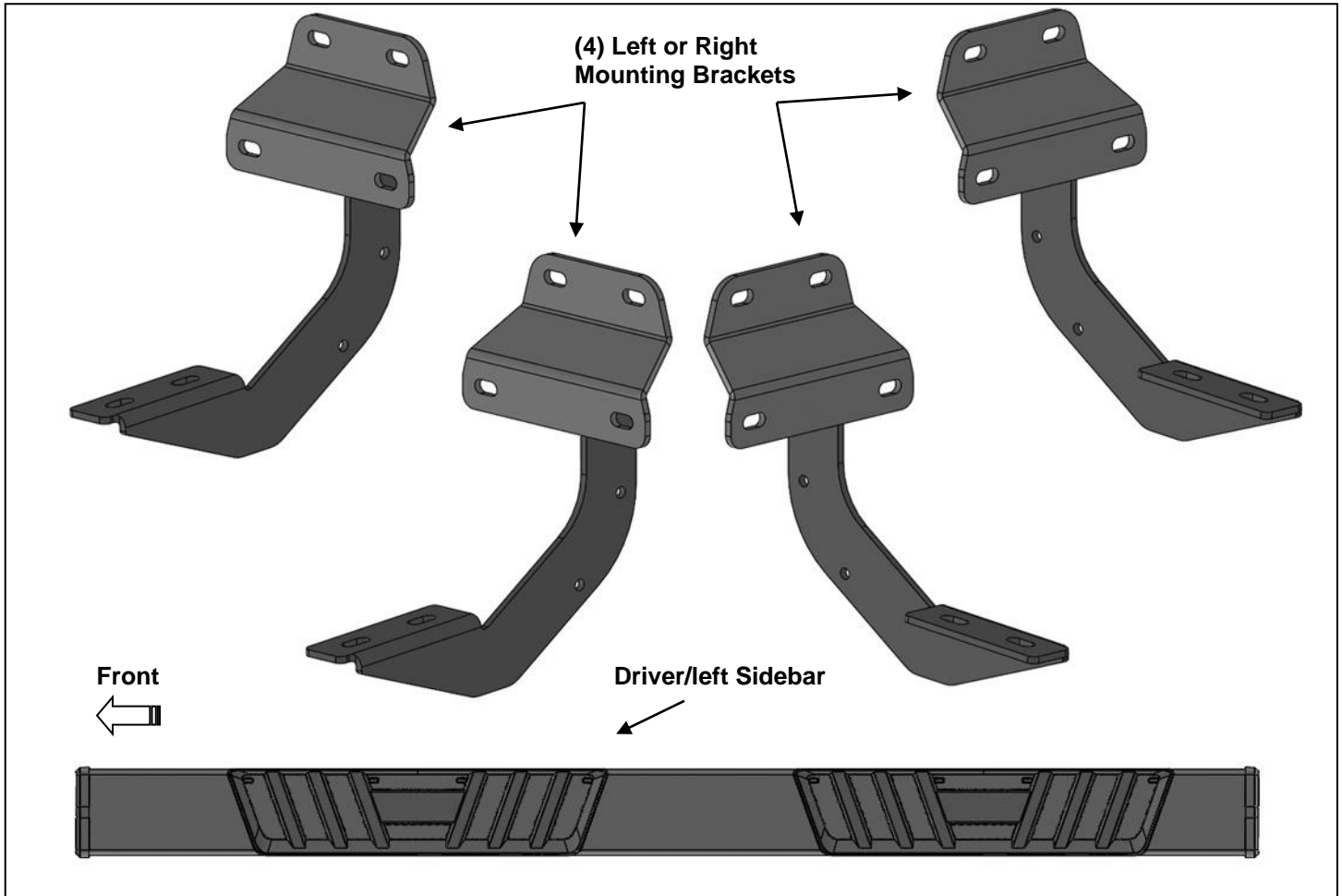


**PARTS LIST:**

1	79" Driver/left side T6 Sidebar	20	8mm x 24mm x 2mm Washers
1	79" Passenger/right side T6 Sidebar	8	8mm Lock Washers
4	Universal Mounting Brackets (left or right)	8	8-1.25mm Hex Nuts
4	8-1.25mm x 35mm Double Bolt Plates	12	8-1.25mm Nylon Lock Nuts
12	8mm Plastic Washers		



**PROCEDURE:**

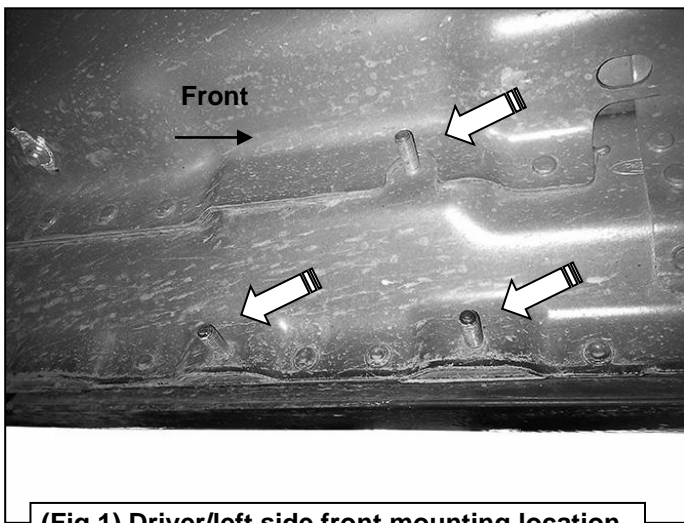
**REMOVE CONTENTS FROM BOX. VERIFY ALL PARTS ARE PRESENT. READ INSTRUCTIONS CAREFULLY BEFORE STARTING INSTALLATION. ASSISTANCE IS RECOMMENDED.**

1. Start the installation under the driver/left side of the vehicle. Locate the front factory mounting location along the inner side of the body, **(Figure 1)**.
2. Slide (1) Plastic Washer over each of the (3) factory mounting studs in the body panel, **(Figures 2 & 3)**. **IMPORTANT:** The Plastic Washers are designed to prevent corrosion between the aluminum body panel and the steel mounting brackets. **Do not install the Brackets without the Plastic Washers.**
3. Select (1) Mounting Bracket. **NOTE:** All (4) Brackets are universal and will fit left or right side. Attach the Mounting Bracket to the (3) factory studs with (3) 8mm Flat Washers and (3) 8mm Nylon Lock Nuts, **(Figure 4)**. Leave brackets loose at this time.
4. Repeat **Steps 1—3** for Bracket installation on the driver/left rear side.
5. Select the Driver/left Sidebar. **NOTE:** The front stepping pad is farther from the front end of the Sidebar. Place the Sidebar on top of the Brackets. Locate the channel in the bottom of the Sidebar. Select (2) 8mm Double Bolt Plates, **(Figure 5)**. Insert the Bolt Plates into the channel in the bottom of the Sidebar closest to the Brackets, **(Figure 6)**. Lift the Sidebar up and guide the studs through the Brackets.
6. Attach the Sidebar to the Brackets with (4) 8mm Flat Washers, (4) 8mm Lock Washers and (4) 8mm Hex Nuts, **(Figures 7 & 8)**. Do not tighten hardware.

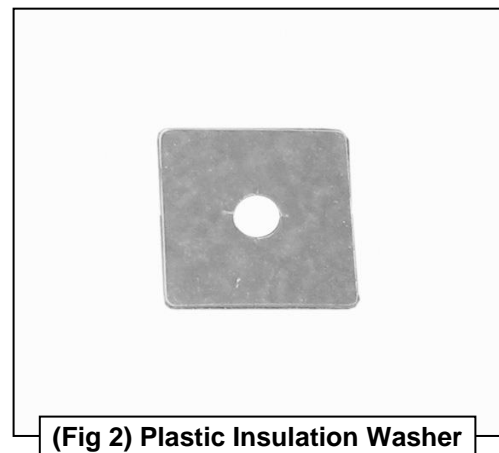
7. Level and adjust the Sidebar as necessary and fully tighten all hardware.
8. Repeat **Steps 1—7** for the Passenger/right Sidebar installation.
9. Do periodic inspections to the installation to make sure that all hardware is secure and tight.

**To protect your investment**, wax this product after installing. Regular waxing is recommended to add a protective layer over the finish. Do not use any type of polish or wax that may contain abrasives that could damage the finish. Mild soap may be used also to clean the Sidebar.

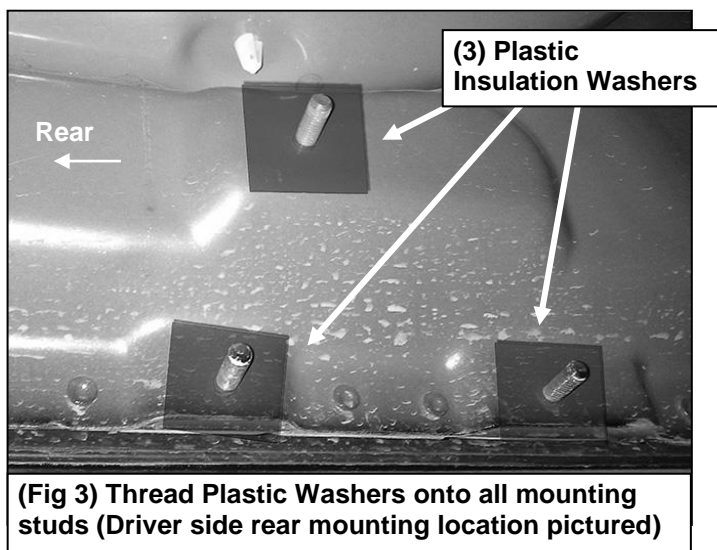
### Driver/Left Side Installation Pictured



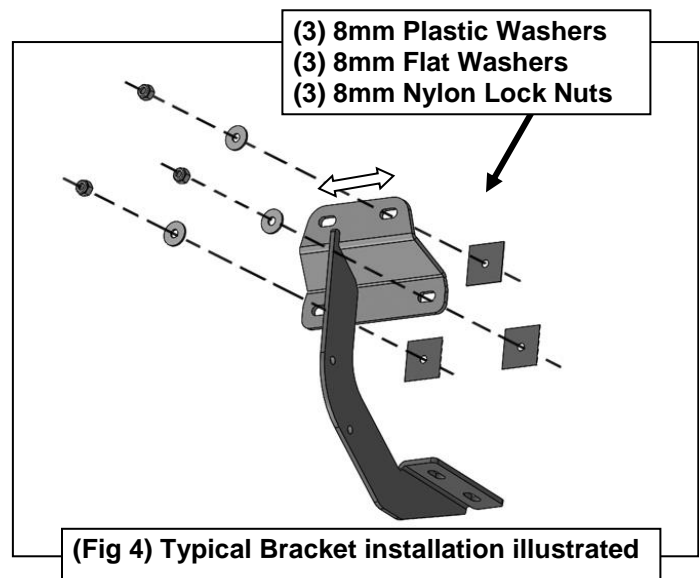
(Fig 1) Driver/left side front mounting location



(Fig 2) Plastic Insulation Washer

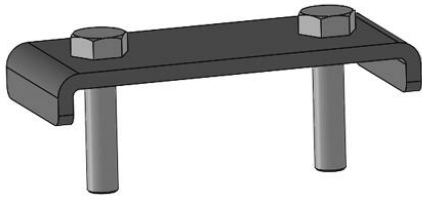


(Fig 3) Thread Plastic Washers onto all mounting studs (Driver side rear mounting location pictured)



(Fig 4) Typical Bracket installation illustrated

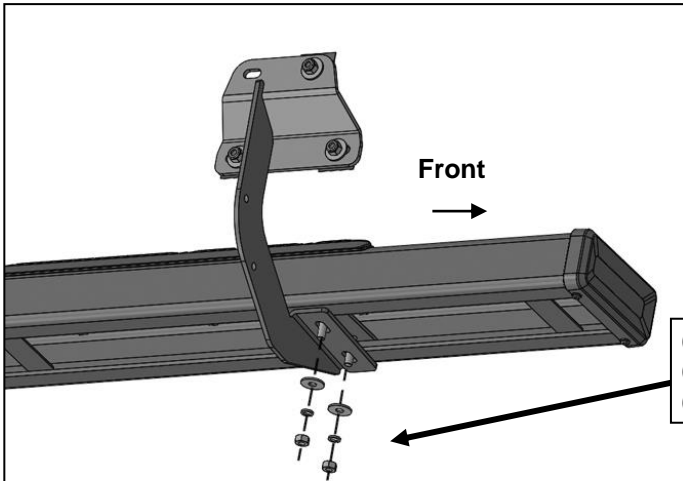
**Driver/Left Side Installation Pictured**



**(Fig 5) 8mm Double Bolt Plate**

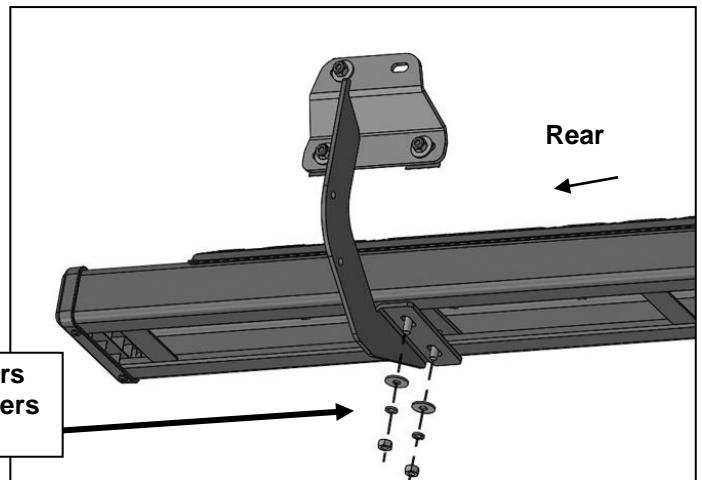


**(Fig 6) Insert 8mm Double Bolt Plate through the channel opening in the bottom of the Sidebar**



**(Fig 7) front Bracket attached to Driver/left Sidebar**

- (2) 8mm Flat Washers
- (2) 8mm Lock Washers
- (2) 8mm Hex Nuts



**(Fig 8) rear Bracket attached to Driver/left Sidebar**

- (2) 8mm Flat Washers
- (2) 8mm Lock Washers
- (2) 8mm Hex Nuts