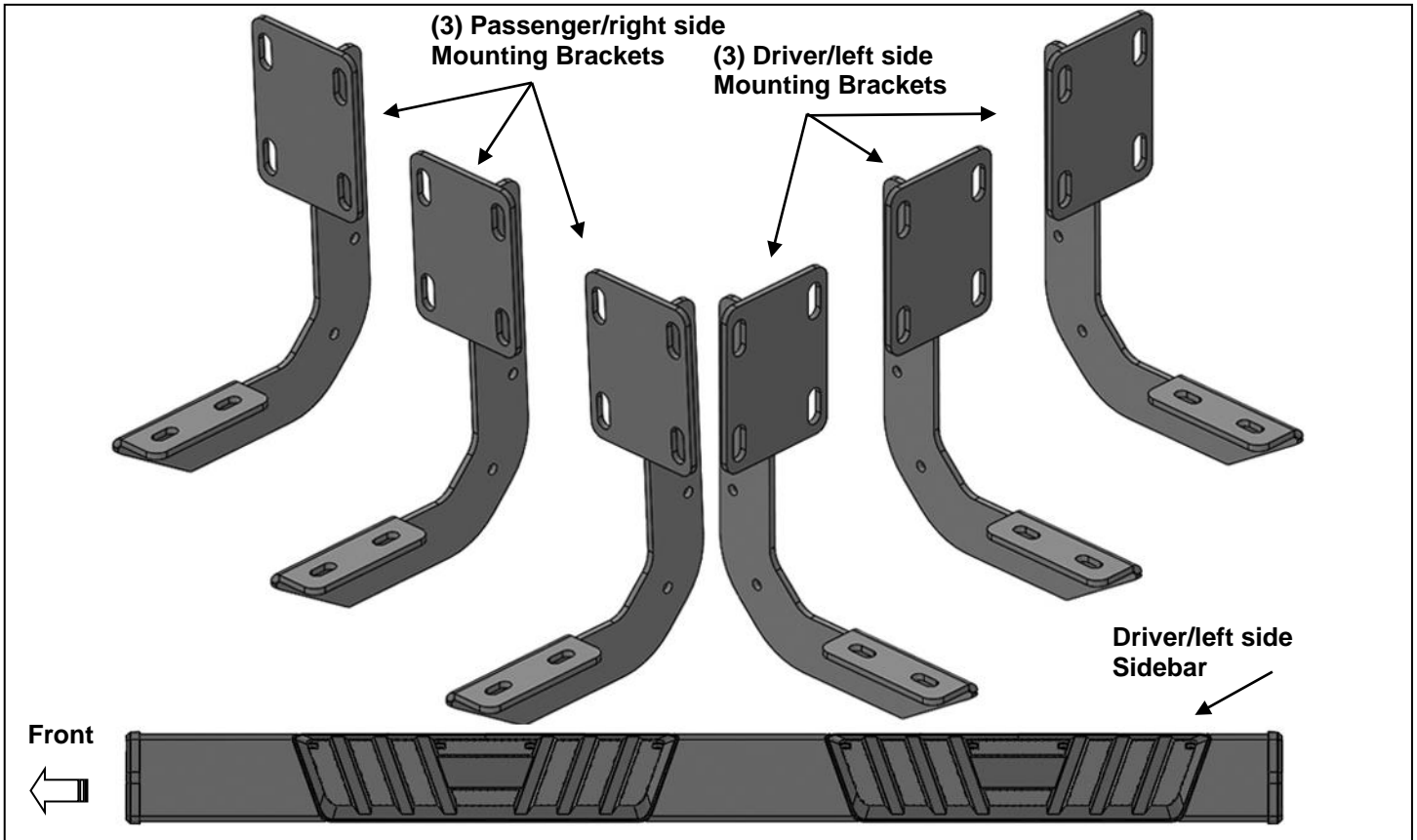


PARTS LIST:

1	Driver/left side T6 Sidebar (76in)	24	8-1.25mm x 30mm Hex Bolts
1	Passenger/right side T6 Sidebar (76in)	12	8mm Clip Nuts
3	Driver/left side Mounting Brackets	48	8mm x 24mm x 2mm Flat Washers
3	Passenger/right side Mounting Brackets	36	8mm Lock Washers
6	8mm x 35mm Double Bolt Plates	24	8mm Hex Nuts



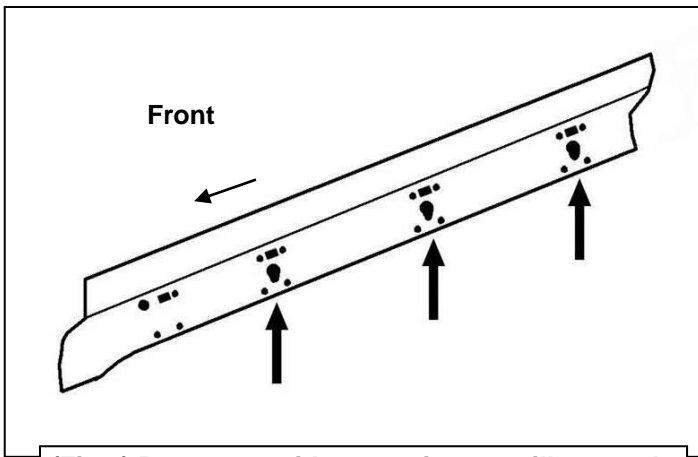
PROCEDURE:

- 1. REMOVE CONTENTS FROM BOX. VERIFY ALL PARTS ARE PRESENT. READ INSTRUCTIONS CAREFULLY BEFORE STARTING INSTALLATION.**
- Starting on the passenger front side of the vehicle, locate the (2) holes through the bottom of the pinch weld. Next, locate the rectangular opening and the (2) small hole in the inner body panel directly above the holes in the pinch weld, **(Figures 1 & 2)**. **NOTE:** The holes in the inner panel may be covered with sealing tape or insulation, remove as required.
- Slide (2) 8mm "U" Clips into the rectangular opening with the nut towards the inside. Line up the threaded nut on the clips with the (2) small round holes, **(Figure 3)**.
- Select (1) Passenger side Mounting Bracket. Attach the top of the Bracket to the "U" Clips with (2) 8mm Hex Bolts, (2) 8mm Lock Washers and (2) 8mm Flat Washers, **(Figures 4 & 5)**. Line up the lower holes in the Bracket with the (2) holes through the pinch weld. Bolt the Bracket to the pinch weld with (2) 8mm Hex Bolts, (4) 8mm Flat Washers, (2) 8mm Lock Washers and (2) 8mm Hex Nuts, **(Figures 4 & 5)**. Snug but do not fully tighten Bracket hardware.
- Move toward the center of the cab, **(Figure 6)**. Locate the pair of holes along the pinch weld. Use **Figure 1** to determine the correct mounting location for the Bracket. Repeat **Steps 2—4** to install (1) passenger side Mounting Bracket on the center location.
- Move toward the rear of the cab, **(Figure 7)**. Locate the last pair of holes along the pinch weld. Use **Figure 1** to determine the correct mounting location for the Bracket. Repeat **Steps 2—4** to install (1) Passenger side Mounting Bracket on the rear location.

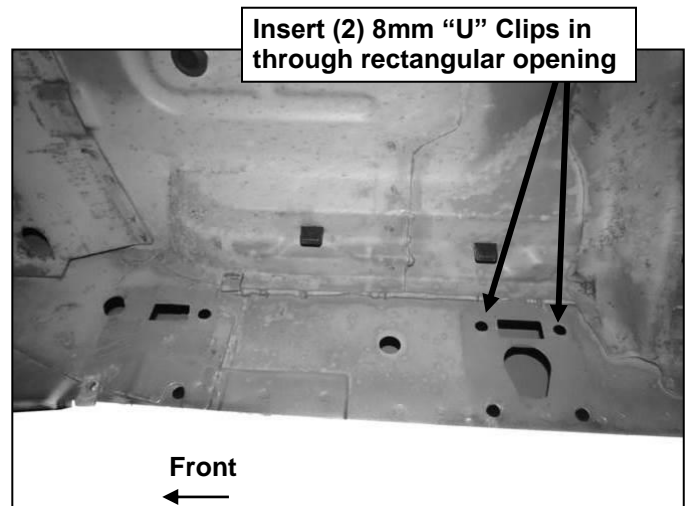
7. Once the (3) Brackets have been fully installed, select the Passenger/right Sidebar. Use the illustration above to help determine the correct Sidebar. Place the Sidebar on top of the Brackets. Locate the channels in the bottom of the Sidebar. Select (3) 8mm Double Bolt Plates, **(Figure 8)**. Insert the Bolt Plates into the channels in the bottom of the Sidebar closest to the Brackets, **(Figure 9)**. Lift the Board up and guide the studs through the Brackets.
8. Attach the Sidebar to the Brackets with (6) 8mm Flat Washers, (6) 8mm Lock Washers and (6) 8mm Hex Nuts, **(Figures 10 — 12)**.
9. Level and adjust the Sidebar as necessary and fully tighten all hardware.
10. Repeat **Steps 2—9** for driver/left Sidebar installation.
11. Do periodic inspections to the installation to make sure that all hardware is secure and tight.

To protect your investment, wax this product after installing. Regular waxing is recommended to add a protective layer over the finish. Do not use any type of polish or wax that may contain abrasives that could damage the finish. Mild soap may be used to clean the Sidebar.

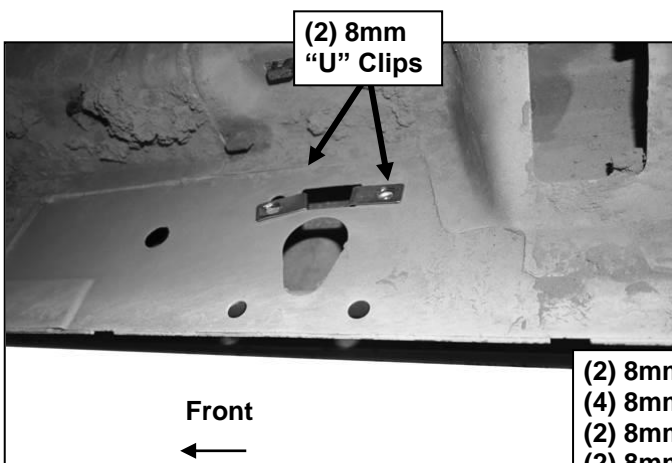
Passenger Side Installation Pictured



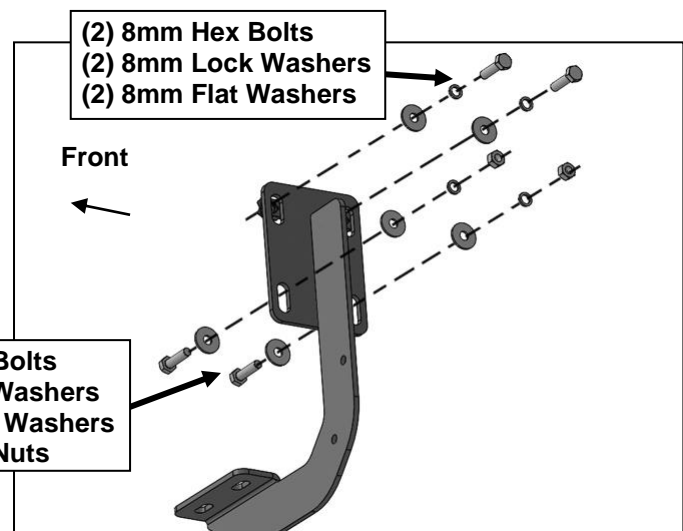
(Fig 1) Passenger side mounting area illustrated



(Fig 2) Passenger side Front mounting location

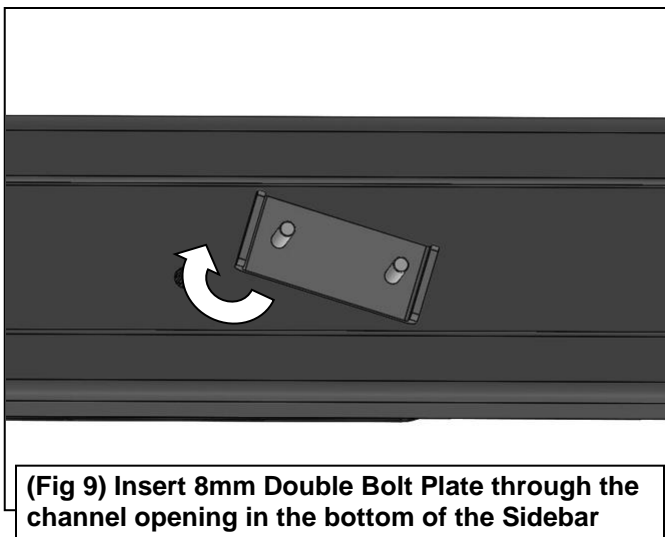
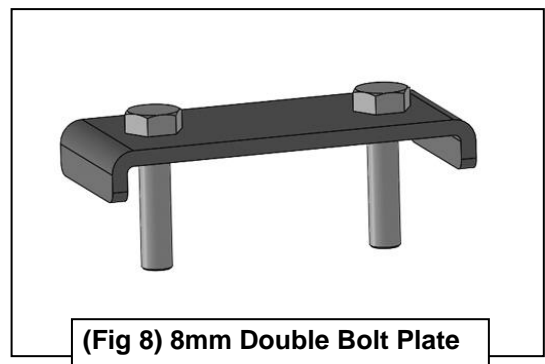
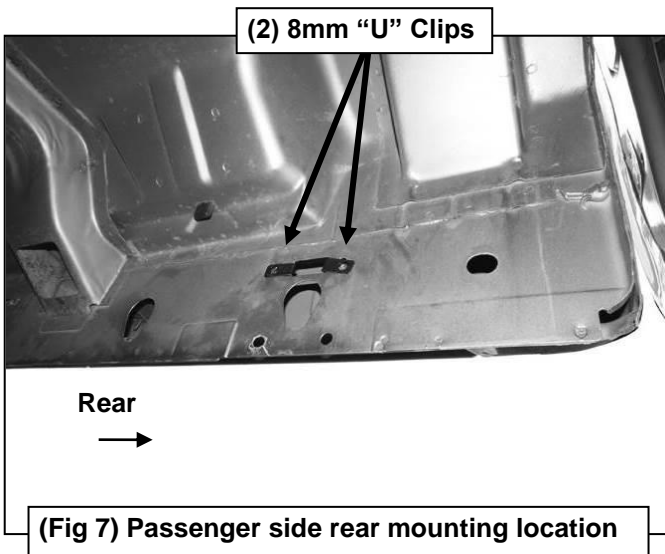
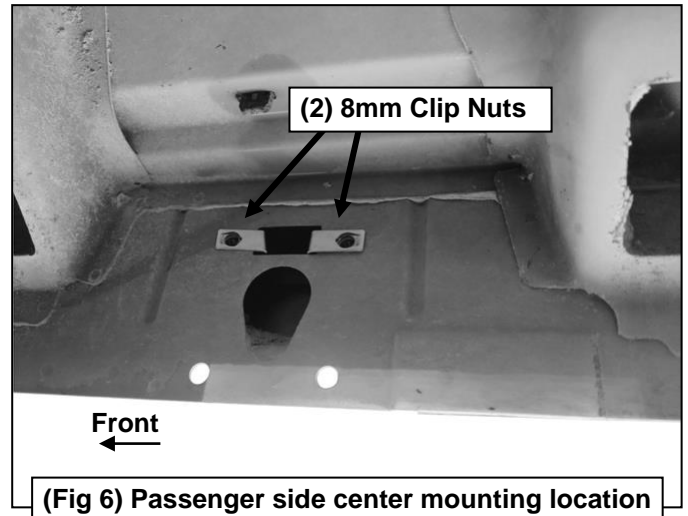
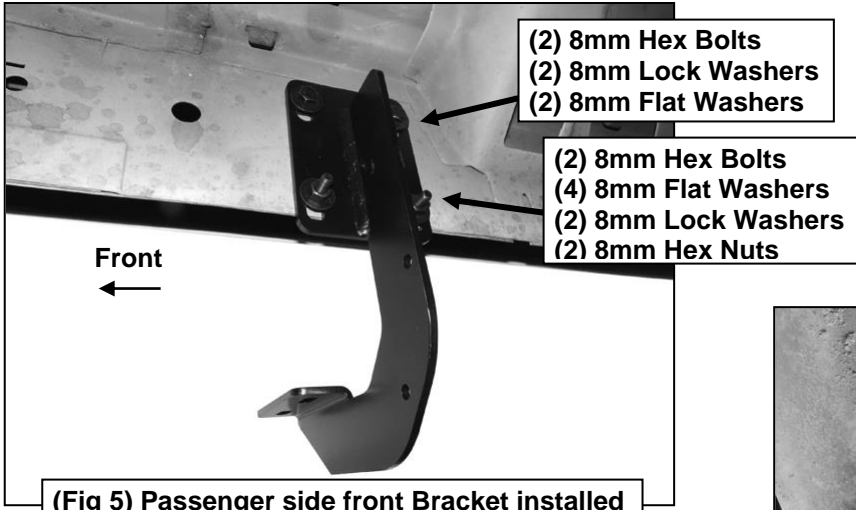


(Fig 3) Line up the (2) 8mm "U" Clips with the (2) small holes next to the rectangular opening

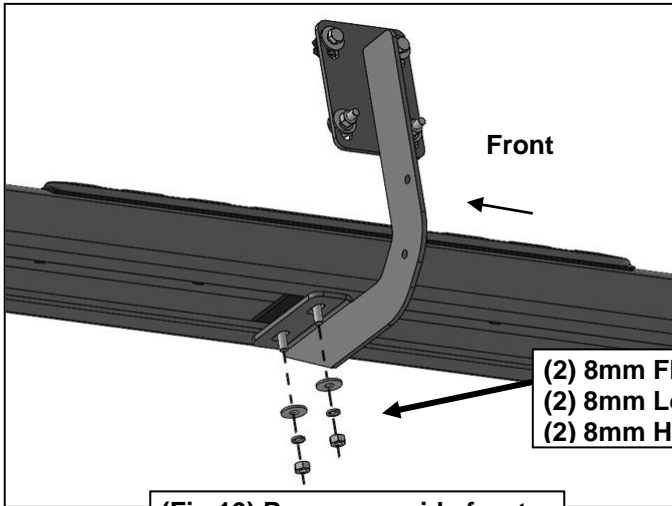


(Fig 4) Passenger side Mounting Bracket

Passenger Side Installation Pictured

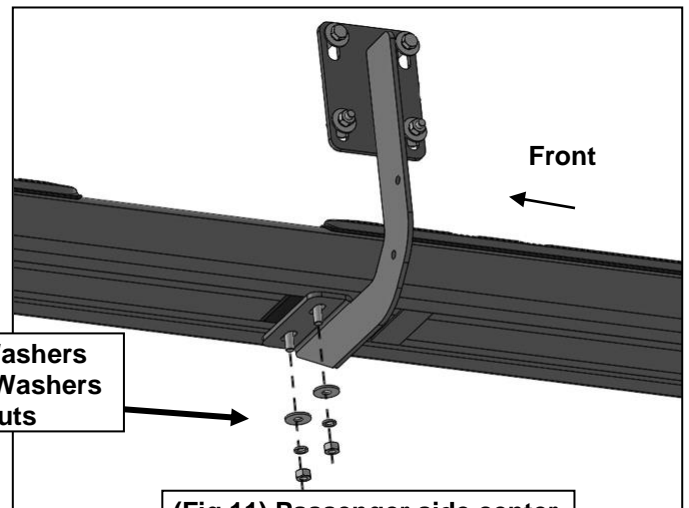


Passenger Side Installation Pictured



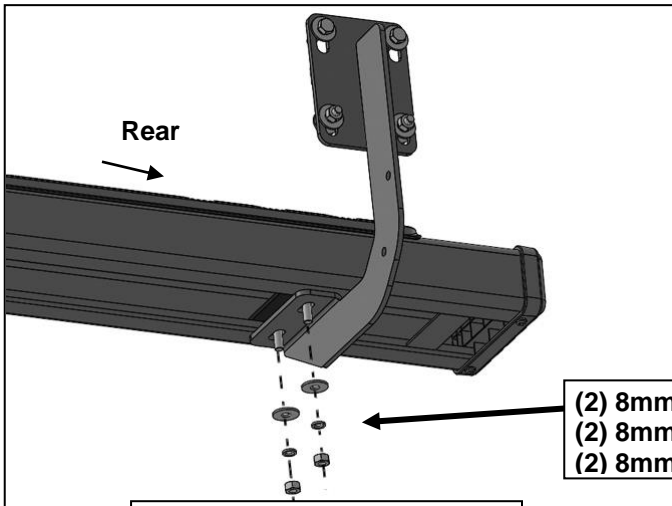
(Fig 10) Passenger side front Bracket attached to Sidebar

- (2) 8mm Flat Washers
- (2) 8mm Lock Washers
- (2) 8mm Hex Nuts



(Fig 11) Passenger side center Bracket attached to Sidebar

- (2) 8mm Flat Washers
- (2) 8mm Lock Washers
- (2) 8mm Hex Nuts



(Fig 12) Passenger side rear Bracket attached to Sidebar

- (2) 8mm Flat Washers
- (2) 8mm Lock Washers
- (2) 8mm Hex Nuts