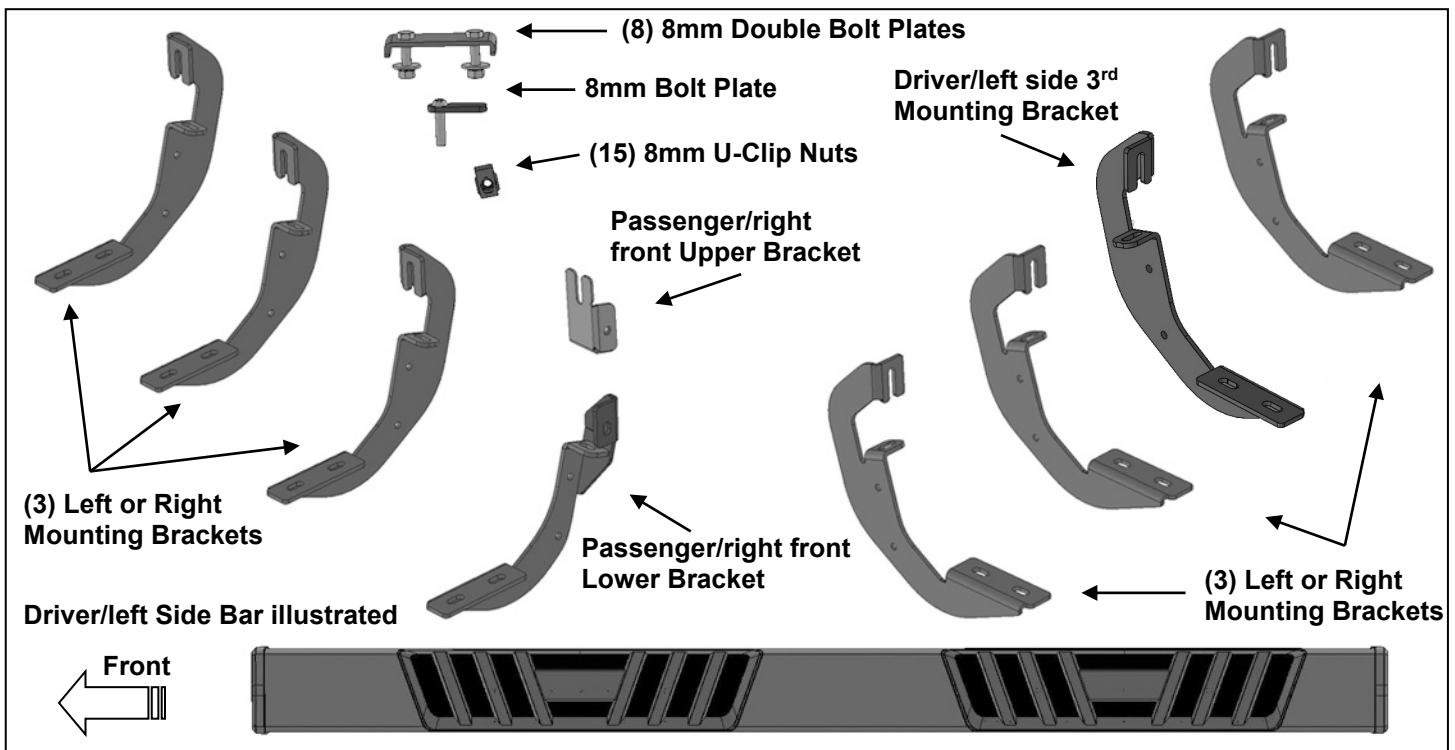


**T-6 SIDE BARS  
07-18 1500-3500 SILVERADO/SIERRA EXTRA/DOUBLE CAB  
INCLUDES DIESEL W/DEF**

**PARTS LIST:**

1	T-6 Driver/left Side Bar	1	8mm Bolt plate
1	T-6 Passenger/right Side Bar	8	8mm Double Bolt Plates
1	Passenger/right Front Upper Bracket (all incl. DEF)	17	8-1.25mm x 25mm Hex Bolts
1	Passenger/right Front Lower Bracket (all incl. DEF)	33	8mm x 24mm x 2mm Flat Washers
1	Driver/left 3 <sup>rd</sup> sidebar bracket	33	8mm Lock Washers
6	Sidebar Brackets (use for left or right)	17	8mm Hex Nuts
		15	8mm U-Clip Nuts



**PROCEDURE:**

**REMOVE CONTENTS FROM BOX. VERIFY ALL PARTS ARE PRESENT. READ INSTRUCTIONS CAREFULLY BEFORE STARTING INSTALLATION. ASSISTANCE IS RECOMMENDED. ON MODELS WITH DEF TANK, SELECT A FLAT, LEVEL AREA FOR INSTALLATION. MAY REQUIRE CUTTING.**

1. Start the installation under the driver side of the vehicle. Locate the 4 tabs along the bottom edge of the body, (pinch weld), **(Figure 1)**. Directly above each tab is a top mounting location on the side of the body panel. Hold a Bracket up in place to help determine the mounting holes to use along the body.
2. Determine the correct procedure for your model year and each Bracket location.

**Bottom mounting location on the edge of the pinch weld.**

**Flat tab on pinch weld with factory installed weld nut:**

Thread hex bolt into weld nut from the backside-down to clear paint from threads, **(Figure 2)**.

**Flat tab on pinch weld with hole:**

Select (1) 8mm Clip Nut. Slide the Clip Nut over the tab with the nut facing up behind the tab, **(Figures 3—5)**. Line up threaded nut with hole in tab. Repeat for each mounting location.

**Top mounting location on the side of the body panel.**

**Models with factory installed threaded insert in body panel:**

Thread 8mm Hex Bolt into threaded insert to clear paint as required, **(Figures 2 & 3)**.

**Large and small hole in side of body panel:**

Remove the rubber plug from the larger hole, **(Figure 4)**. Select (1) 8mm Clip Nut. Slide the Clip Nut into the larger hole. Line up the threaded nut with the smaller hole, **(Figure 5)**.

**T-6 SIDE BARS**  
**07-18 1500-3500 SILVERADO/SIERRA EXTRA/DOUBLE CAB**  
**INCLUDES DIESEL W/DEF**

3. Select (1) Mounting Bracket. **NOTE:** (6) Brackets are universal and will fit all left or right side except for the driver/left side 3<sup>rd</sup> mounting location and passenger/right side front mounting location. See illustration above to help determine correct Bracket. Bolt the Mounting Bracket to the Clip Nuts and/or the factory threaded holes with (2) 8mm Hex Bolts, (2) 8mm Lock Washers and (2) 8mm Flat Washers, **(Figure 6-8)**. Do not tighten hardware.
4. Repeat **Steps 1—3** to install the (3) remaining driver/left side Brackets, **(Figures 6—8)**.
5. Select the driver/left T-6 Side Bar. Carefully position the Side Bar onto the (4) Mounting Brackets. **IMPORTANT:** Do not slide the Side Bar on the Brackets or damage to the finish may result. Select (4) 8mm Double Bolt Plates. Insert the Bolt Plates into the channels in the bottom of the Side Bar close to the Brackets, **(Figure 9)**. Lift the Side Bar up and guide the studs down through the Brackets.
6. Attach the Side Bar to the Brackets with (8) 8mm Flat Washers, (8) 8mm Lock Washers and (8) 8mm Hex Nuts, **(Figure 10)**. **NOTE:** The Side Bar is designed to fit close to the vehicle. It may be necessary to loosen the Bracket hardware and tilt the Brackets downward to insert the Side Bar between the Brackets and the body. Do not tighten hardware at this time.
7. Level and adjust the Side Bar and fully tighten all hardware.
8. Move to the passenger side of the vehicle. Determine if the vehicle is equipped with a plastic diesel exhaust fluid (DEF) tank, **(Figures 12 & 13)**.

**Models without DEF tank, skip to Step 9.**

**2007-16 Models with DEF tank:** The tank sits close to the side of the body. With specialized tools, the passenger/right front upper and lower Bracket can be installed but room is limited. It may be easier to drop the tank down to access the inner side of the body panel for upper bracket installation. Tank will not need to be removed, only dropped down for access to mounting location. **IMPORTANT:** If tank is full, it will be very heavy, and assistance is highly recommended to avoid injury or damage to the vehicle or the tank. It is recommended that installation is performed when the DEF tank is low on fluid before dropping the tank.

- a. On 07-16 models with plastic lower tray under tank, remove the (3) hex bolts attaching the tray to the frame, **(Figure 11)**, and remove tray.
- b. Release the tank filler hose. Release the plug for the sending unit on the top of the tank.
- c. Support the tank with a floor jack. Place a smooth flat surface, (wooden block for example), between the floor jack and the tank to avoid damaging the plastic tank. Do not push up on the tank; only support the weight of the tank with the jack.
- d. Remove the (2) bolts securing the tank straps to the vehicle, **(Figure 12)**. Tilt the straps to release from the brackets. Slowly lower the tank until the top of the tank is almost visible. Use blocks or stands to support the tank while installing the front Upper and Lower Brackets.
- e. Proceed to **Step 9**.

**2017-on Models with DEF tank:** Remove only the plastic cover from the tank, **do not remove tank**, **(Figures 13 & 14)**.

9. Locate the first tab on the edge of the pinch weld on the passenger side, **(Figures 2—4, 16, 18 & 21)**. Select the Front Upper Bracket, **(Figure 15)**. Repeat **Steps 2 & 3** to attach the Upper Bracket to the side of the body panel, **(Figure 16 & 18)**. Do not tighten hardware at this time.
10. Line up the hole in the bottom of the Upper Bracket with the hole in the tab on the pinch weld.
  - a. **Models with a weld-nut:** Slide the Bracket over the weld-nut, **(Figure 16)**. Attach the Lower Bracket to the bottom of the body and weld-nut with (1) 8mm x 25mm Hex Bolt, (1) 8mm Lock Washer and (1) 8mm Flat Washer, **(Figure 19)**. Leave loose at this time.
  - b. **Models with flat tab and hole:** Insert the 8mm Bolt Plate down through the hole in the Upper Bracket and mounting tab, **(Figure 17)**. Attach the Lower Bracket to the bottom of the body and Bolt Plate with (1) 8mm Flat Washer, (1) 8mm Lock Washer and (1) 8mm Hex Nut, **(Figures 18 & 19)**. Leave loose at this time.
11. Attach the Lower Bracket to the front facing side of the Upper Bracket with (1) 8mm x 25mm Hex Bolt, (1) 8mm Lock Washer and (1) 8mm Flat Washer, **(Figures 19 & 20)**. Leave loose at this time.

**T-6 SIDE BARS**  
**07-18 1500-3500 SILVERADO/SIERRA EXTRA/DOUBLE CAB**  
**INCLUDES DIESEL W/DEF**

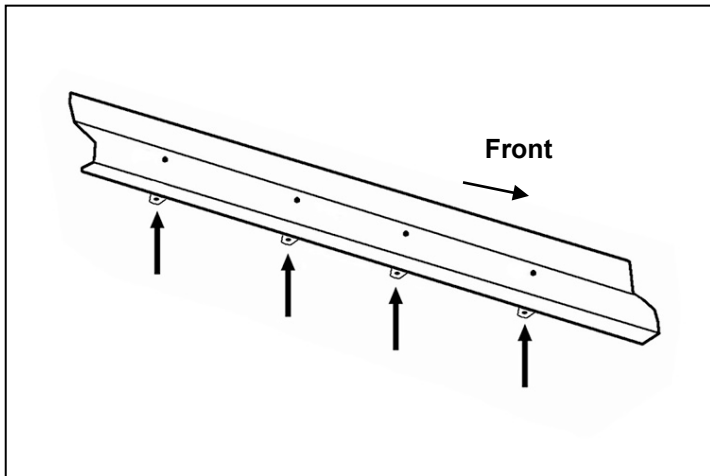
12. Move to the 2nd mounting location, (Figure 21). Repeat Steps 1—3 for the (3) remaining passenger/right Bracket installations. **NOTE:** Cradles on Brackets installed on passenger side will face forward.
13. Repeat Steps 5—7 to install the passenger/right Side Bar, (Figure 22).
14. Once the Side Bars are installed, lined up to side of vehicle and all hardware fully tightened, reinstall the DEF tank and cover, if equipped, as described in Step 8.
  - a. **2017-on 2500-3500 DEF tank models only:** Hold the DEF cover up in place and mark the 2nd Bracket location onto the cover, (Figures 21 & 23). Use a sharp knife or hacksaw blade to carefully cut a slot in the plastic cover to clear the 2nd Bracket, (Figure 24).
15. Do periodic inspections to the installation to make sure that all hardware is secure and tight.

**To protect your investment,** wax this product after installing. Regular waxing is recommended to add a protective layer over the finish. Do not use any type of polish or wax that may contain abrasives that could damage the finish.

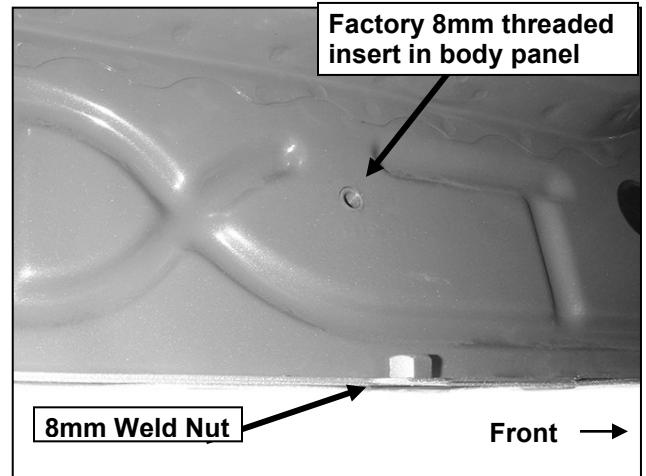
**For stainless steel:** Aluminum polish may be used to polish small scratches and scuffs on the finish. Mild soap may be used also to clean the Side Bar.

**For gloss black finishes:** Mild soap may be used to clean the Side Bar.

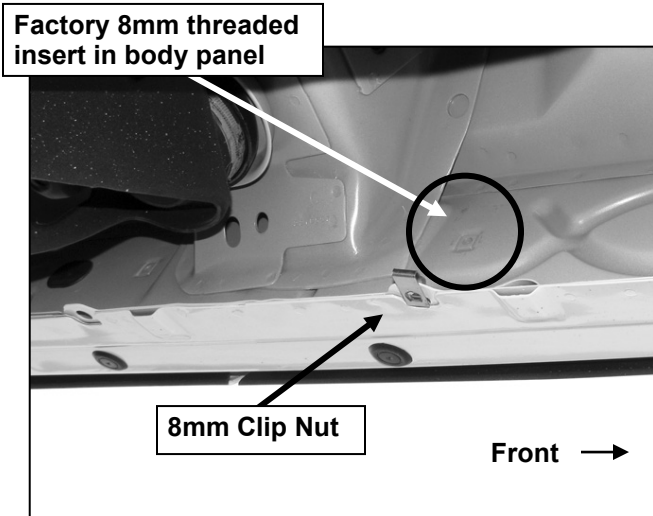
**Driver/Left Side Installation Pictured**



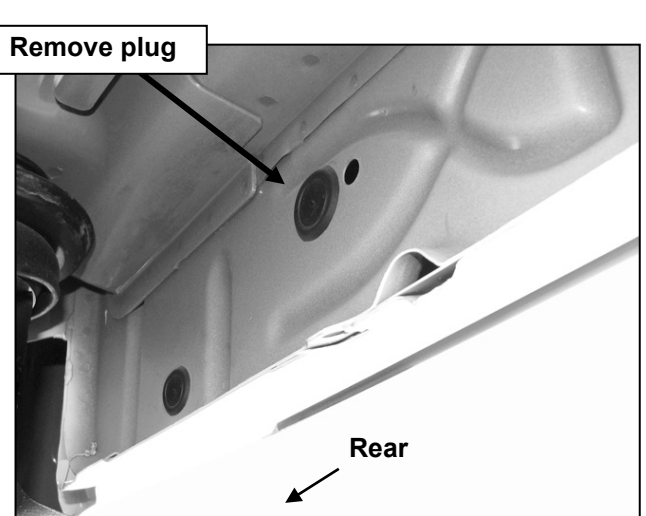
(Fig 1) Back of driver side (4) mounting locations



(Fig 2) Driver side front mounting location



(Fig 3) Driver side 2nd mounting location



(Fig 4) Driver side rear mounting location

**T-6 SIDE BARS**  
**07-18 1500-3500 SILVERADO/SIERRA EXTRA/DOUBLE CAB**  
**INCLUDES DIESEL W/DEF**

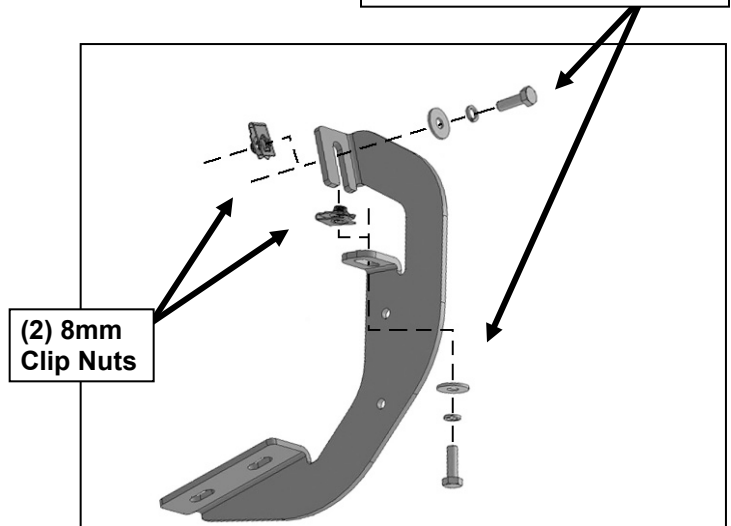
**Driver/Left Side Installation Pictured**



**(Fig 5) Driver side rear mounting location**

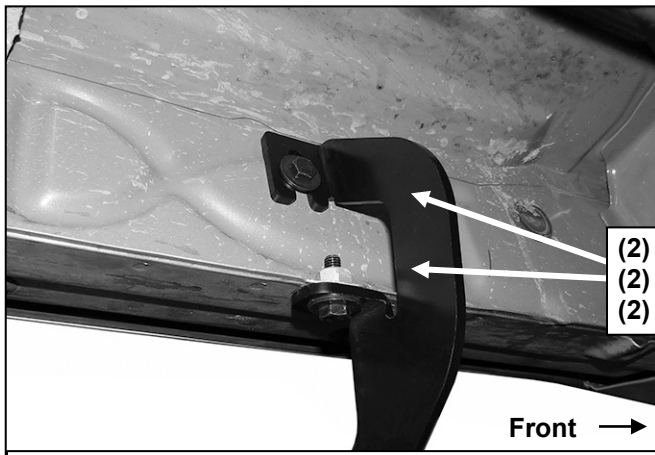
**(2) 8mm  
Clip Nuts**

**(2) 8mm x 25mm Hex Bolts  
(2) 8mm Lock Washers  
(2) 8mm Flat Washers**



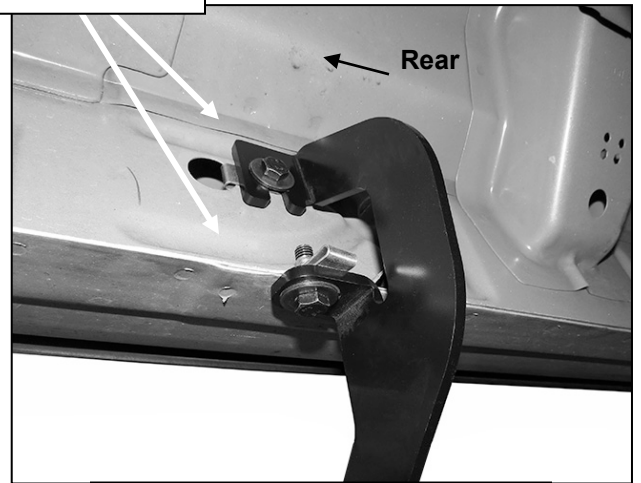
**(Fig 6) Example of bracket installation**

**(2) 8mm  
Clip Nuts**

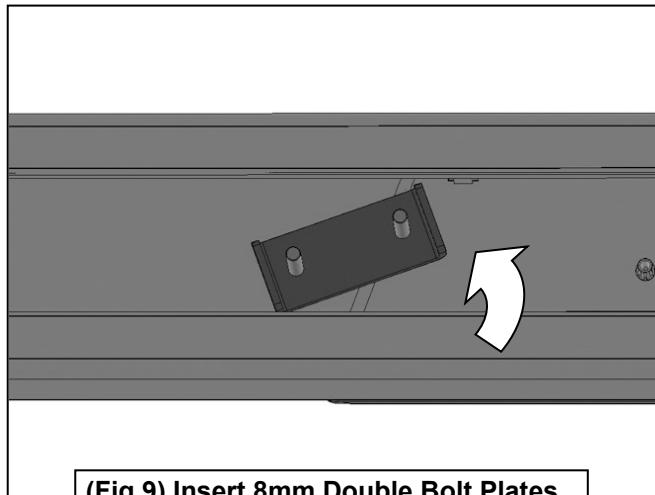


**(Fig 7) Example driver/left front bracket installed.  
NOTE: factory threaded weld nuts in body panel**

**(2) 8mm x 25mm Hex Bolts  
(2) 8mm Lock Washers  
(2) 8mm Flat Washers**



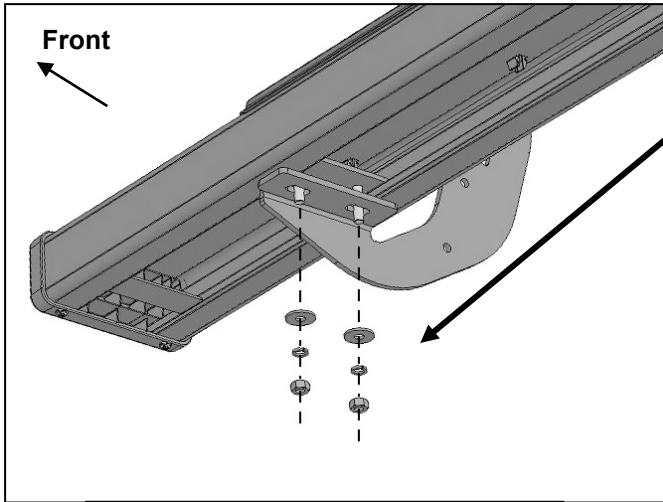
**(Fig 8) Example driver/left rear  
bracket installed. NOTE: 8mm Clip  
Nuts used to attach to body panel**



**(Fig 9) Insert 8mm Double Bolt Plates  
into tracks on bottom of Sidebar**

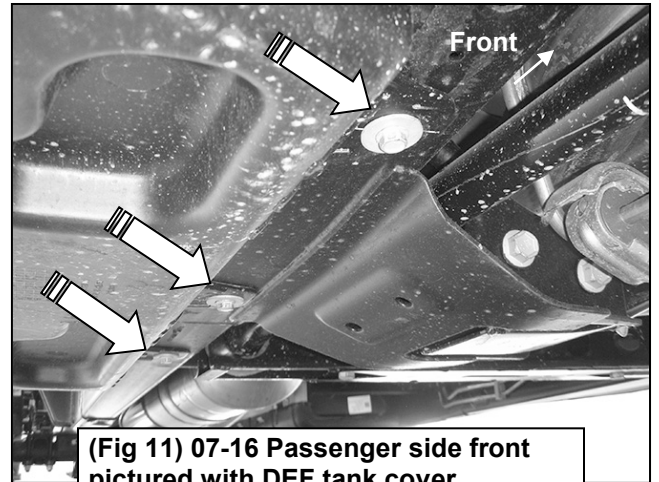
**T-6 SIDE BARS**  
**07-18 1500-3500 SILVERADO/SIERRA EXTRA/DOUBLE CAB**  
**INCLUDES DIESEL W/DEF**

**Passenger/right Side Installation Pictured**



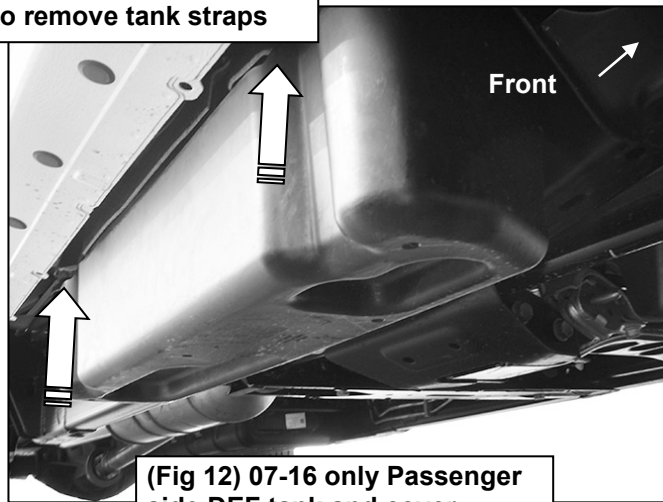
**(Fig 10) Attach Sidebar to Brackets**

- (2) 8mm Flat Washers
- (2) 8mm Lock Washers
- (2) 8mm Hex Nuts

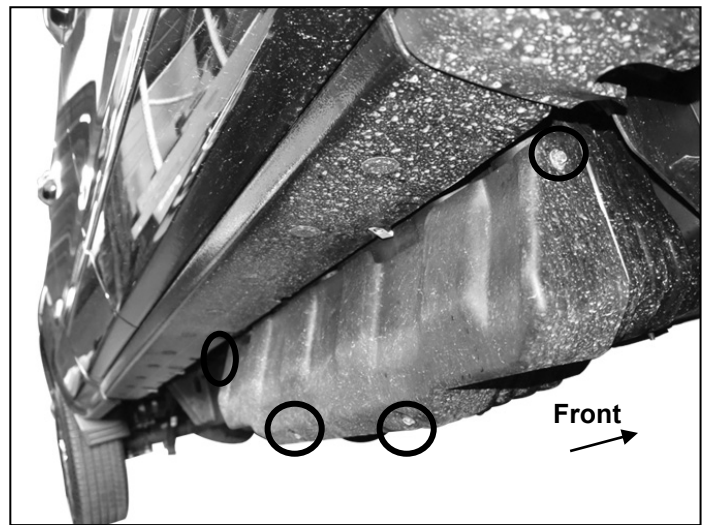


**(Fig 11) 07-16 Passenger side front**  
**pictured with DEF tank cover.**  
**Remove (3) hex bolts to remove cover**

**Remove (2) factory bolts**  
**to remove tank straps**



**(Fig 12) 07-16 only Passenger**  
**side DEF tank and cover**



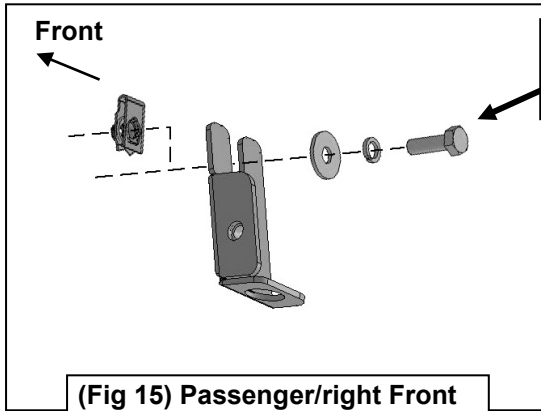
**(Fig 13) 2017 Passenger side pictured with DEF**  
**plastic tank cover. Remove (4) hex bolts to**  
**remove plastic cover only. Do not remove tank**



**(Fig 14) 2017 Passenger side DEF cover**

**T-6 SIDE BARS**  
**07-18 1500-3500 SILVERADO/SIERRA EXTRA/DOUBLE CAB**  
**INCLUDES DIESEL W/DEF**

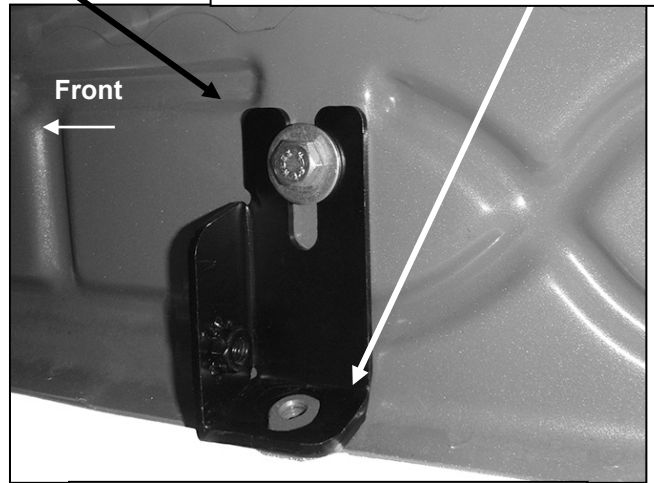
**Passenger/right Side Installation Pictured**



**(Fig 15) Passenger/right Front Upper Bracket (all models)**

**8mm x 25mm Hex Bolt  
8mm Lock Washer  
8mm Flat Washer**

**Models with weld nut on tab use:  
8mm x 25mm Hex Bolt  
8mm Lock Washer  
8mm Flat Washer  
to bolt Lower Bracket to weld nut**

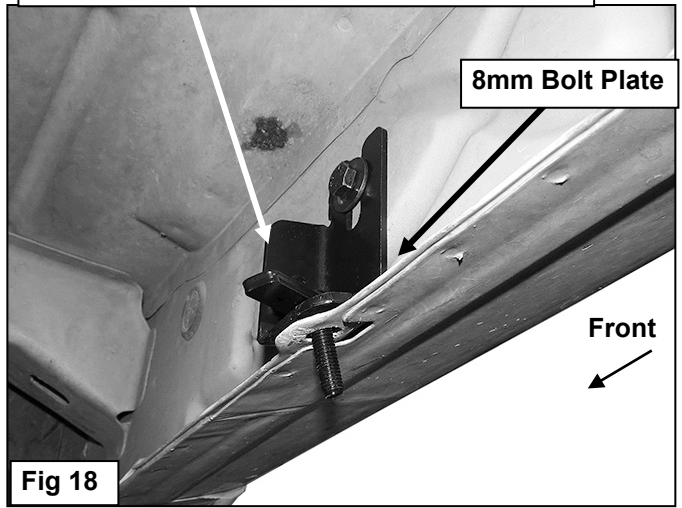


**(Fig 16) Slide Upper Bracket over weld nut if equipped-also see Figure 2**

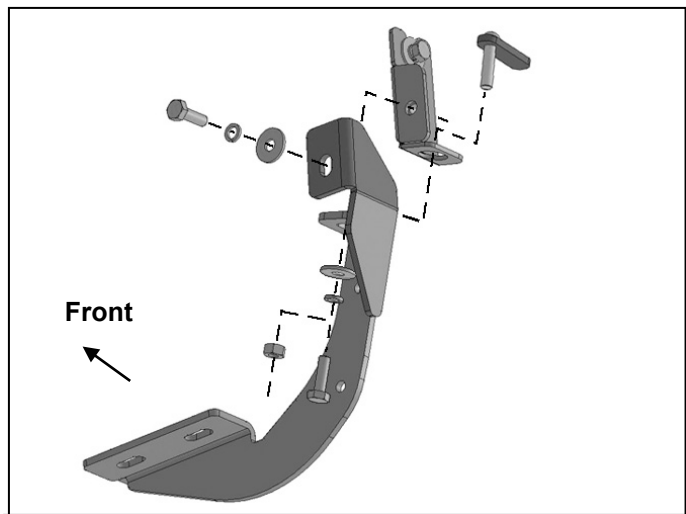


**(Fig 17) 8mm x 35mm Bolt Plate**

**On models with flat tab (see Fig 3 and 4),  
insert 8mm Bolt Plate (Fig 16) down  
through Upper Bracket and mounting tab**



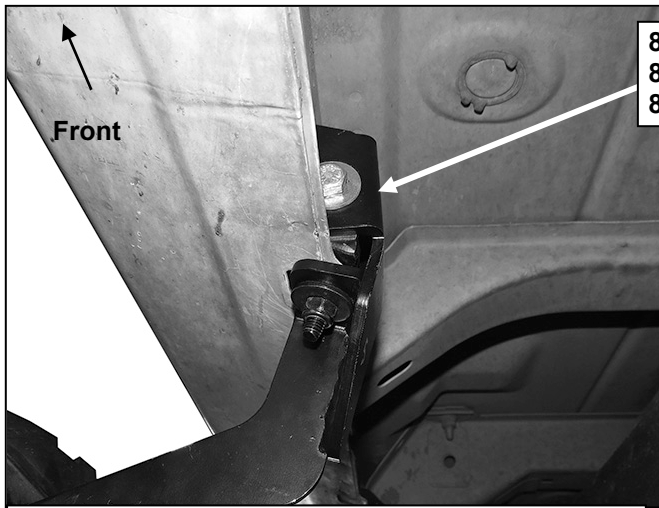
**Fig 18**



**(Fig 19) Attach passenger/right front Lower Bracket to Upper Bracket and bottom of body panel**

**T-6 SIDE BARS**  
**07-18 1500-3500 SILVERADO/SIERRA EXTRA/DOUBLE CAB**  
**INCLUDES DIESEL W/DEF**

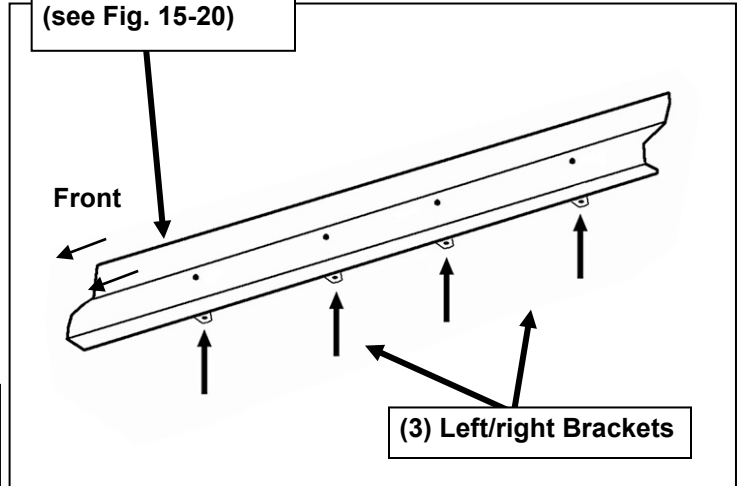
**Passenger/right Side Installation Pictured**



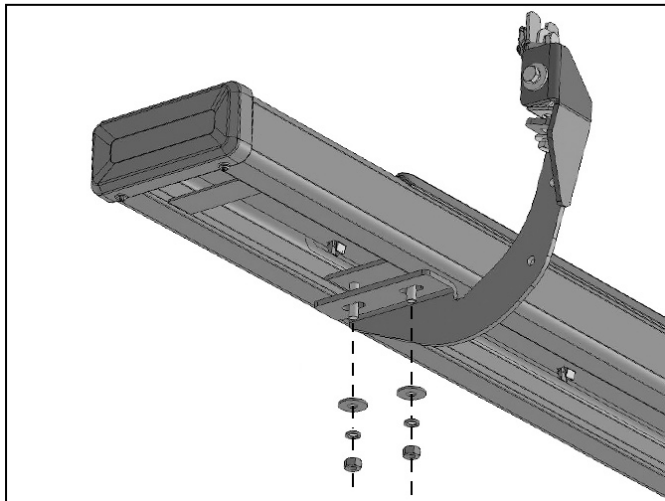
8mm x 25mm Hex Bolt  
8mm Lock Washer  
8mm Flat Washer

**(Fig 20) Passenger/front Lower Bracket installed**

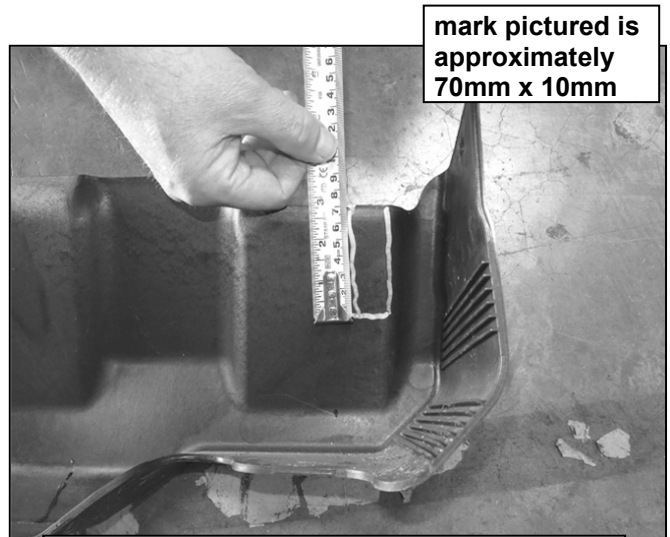
Front Upper and  
Lower 2pc Bracket  
(see Fig. 15-20)



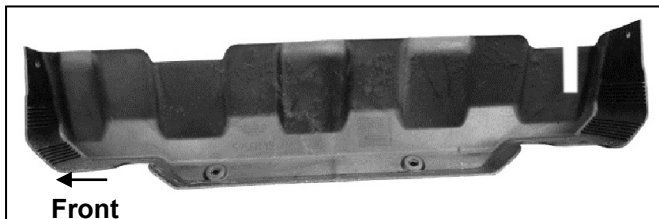
**(Fig 21) Passenger side mounting  
locations from back of body panel**



**(Fig 22) Attach Side Bar to  
passenger/right Brackets (front 2pc  
upper and lower Bracket illustrated)**



**(Fig 23) Cut 2017-on Passenger side DEF  
cover to clear 2nd Bracket only (see Fig 21)**



**(Fig 24) 2017-on DEF cover cut for example only**

View other grille guards and bull bars made by Steelcraft on our website.