



# **INSTALLATION INSTRUCTIONS**

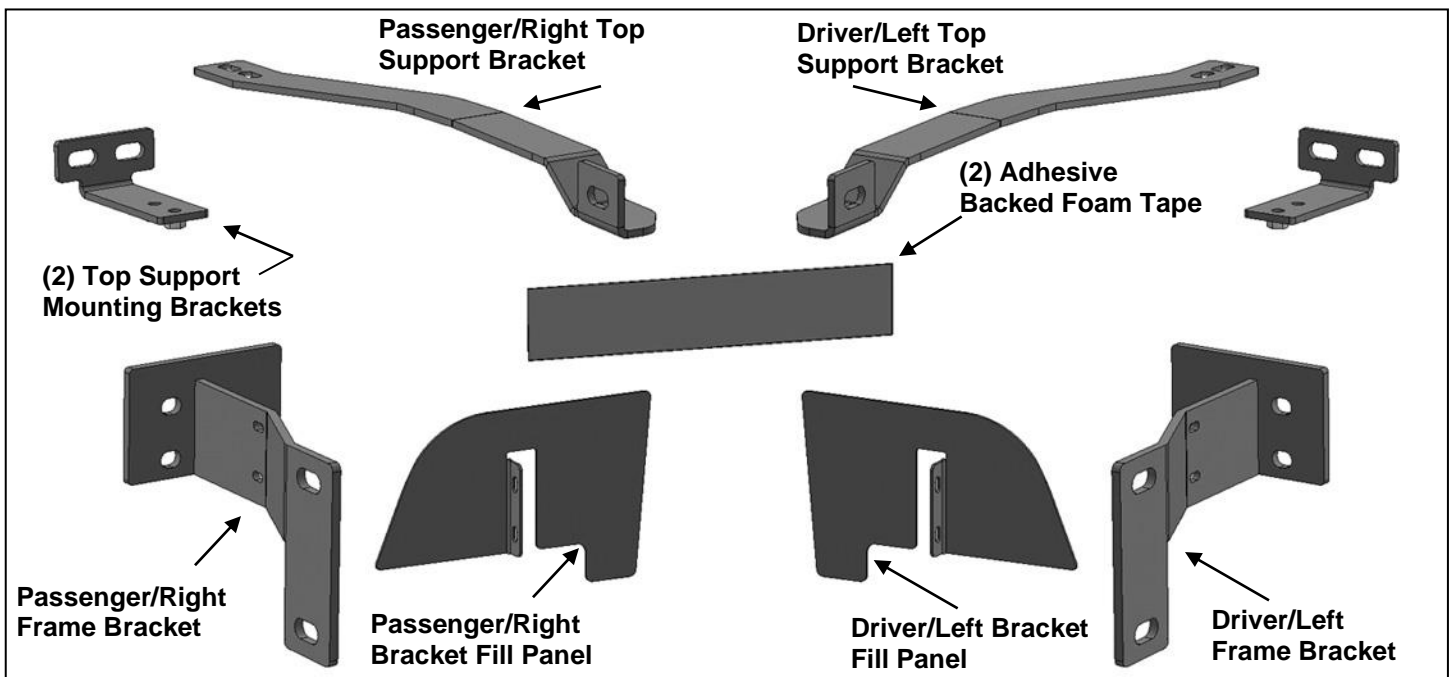
**EXTREME GRILLE GUARD**

**2017-18 NISSAN TITAN**

**(EXCLUDES TITAN "XD" MODELS)**

**PARTS LIST:**

1	Grille Guard	4	10mm x 27mm x 3mm Flat Washers
1	Driver/Left Frame Mounting Bracket	2	10-1.5mm Nylon Lock Nuts
1	Driver/Left Frame Bracket Fill Panel	4	8-1.25mm x 25mm Hex Bolts
1	Passenger/Right Frame Mounting Bracket	4	8mm x 24mm OD x 2mm Flat Washers
1	Passenger/Right Frame Bracket Fill Panel	4	8mm Lock Washers
1	Driver/Left Side Top Support Bracket	4	5mm x 20mm Button Head Bolts
1	Passenger/Right Side Top Support Bracket	8	5mm x 10mm x 1mm Flat Washers
2	Top Support Mounting Brackets	4	5mm Nylon Lock Nuts
4	12-1.75mm x 40mm Hex Bolts	2	250mm x 50mm x 1mm Foam Tape
8	12mm x 37mm x 3mm Flat Washers	1	2.5mm Wrench
4	12mm Nylon Lock Nuts	1	3mm Wrench
2	10-1.5mm x 30mm Button Head Bolts	1	6mm Wrench



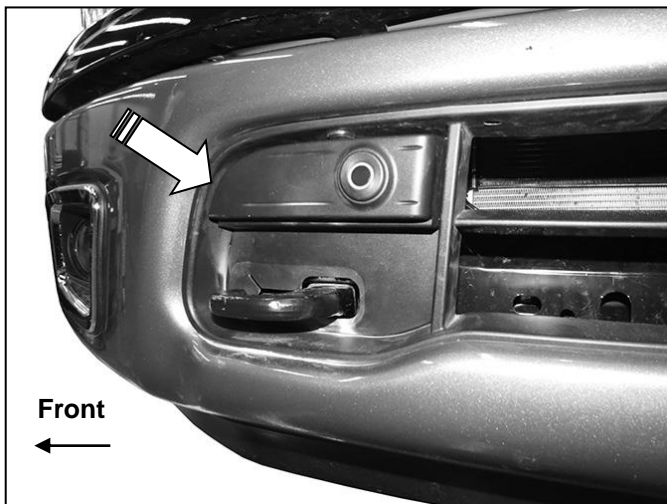
**PROCEDURE:**

**REMOVE CONTENTS FROM BOX. VERIFY ALL PARTS ARE PRESENT. READ INSTRUCTIONS CAREFULLY BEFORE STARTING INSTALLATION. INSTALLATION MAY INTERFERE WITH FRONT MOUNTED SENSORS. ASSISTANCE IS RECOMMENDED.**

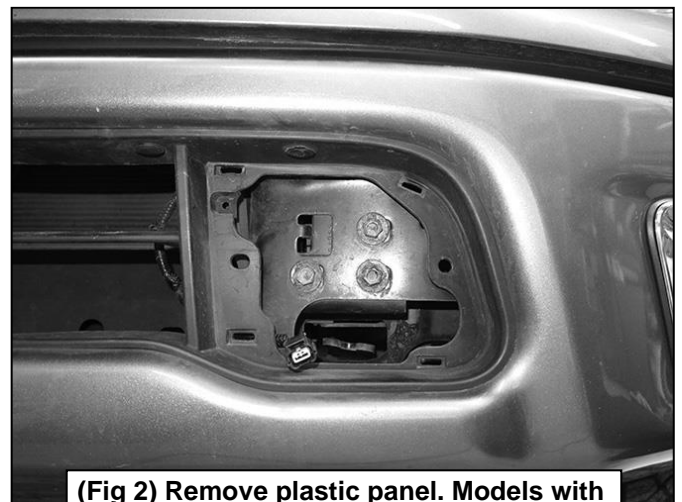
1. Start installation at the front of the driver/left side of the vehicle. Remove the plastic panel surrounding the tow hook, **(Figure 1)**. **NOTE:** On models with bumper mounted sensors, unplug harness leading to sensor to remove panel. Panel will not be reinstalled. **NOTE:** Sensor relocation kit available separately.
2. Through the opening in the bumper, remove the (3) factory hex bolts attaching the bumper bracket to the end of the frame, **(Figure 2)**. Select the driver/left Frame Mounting Bracket, **(Figure 3)**. Reuse the factory hex bolts to attach the Frame Bracket to the end of the frame, **(Figures 3 & 4)**. Do not fully tighten hardware.
3. Repeat **Steps 1 & 2** to install the passenger/right Frame Mounting Bracket.
4. Next, open the hood and remove the plastic cover from the top of the grille and radiator, **(Figure 5)**. **NOTE:** Insert flat blade screwdriver into clips attaching cover. Rotate clips 1/4 turn to release clips.
5. Once top cover is removed, next carefully remove the grille. Pay attention to the type and location of all fasteners for easier reinstallation.
6. In the space between the bottom of the driver/left side headlight assembly and the side of the radiator, locate and remove the bottom (2) factory hex bolts in the bottom of the body panel directly above the

- body mount, **(Figure 6)**. Select (1) Top Mounting Bracket, **(Figure 7)**. Reuse the (2) factory hex bolts to attach the Bracket to the body panel, **(Figure 8)**. Do not fully tighten hardware at this time.
7. Select the driver/left Top Support Bracket, **(Figure 9)**. Apply a section of Adhesive Backed Foam Tape to the top and bottom of the Bracket as indicated. **IMPORTANT:** Cover any part of the Support Bracket that may come in contact with the bumper or plastic fascia body panel.
  8. Carefully slide the flat end of the Support Bracket through the gap between the top of the steel bumper and the bottom of the plastic fascia body panel, **(Figures 4 & 12)**. Attach the Top Support Bracket to the Top Mounting Bracket with (2) 8mm x 25mm Hex Bolts, (2) 8mm Lock Washers and (2) 8mm Flat Washers, **(Figures 10 & 11)**. Do not fully tighten hardware at this time.
  9. Repeat **Steps 6—8** to install the passenger/right Top Mounting Bracket and Support Bracket.
  10. With assistance, position the Grille Guard onto the outside of the Brackets. Attach the Grille Guard to the Frame Brackets with (4) 12mm Hex Bolts, (8) 12mm Flat Washers and (4) 12mm Nylon Lock Nuts, **(Figure 13)**. Snug but do not fully tighten hardware.
  11. Attach the Top Support Brackets to the Grille Guard with (2) 10mm Button Head Bolts, (4) 10mm Flat Washers and (2) 10mm Nylon Lock Nuts, **(Figure 13)**. Do not tighten hardware at this time.
  12. Level and adjust the Grille Guard and fully tighten all hardware.
  13. Reinstall the grille and plastic cover. **NOTE**, remove any clips remaining attached to body. Attach all clips to grille first before reinstalling grille.
  14. Select the driver/left Bumper Fill Panel. Attach the Panel to the Frame Mounting Bracket with the included (2) 5mm Button Head Bolts, (4) 5mm Flat Washers and (2) 5mm Nylon Lock Nuts, **(Figure 14)**. Repeat this Step to attach the passenger/right Fill Panel.
  15. Models equipped with grille mounted camera, remove center screen from Grille Guard, **(Figure 15)**.
  16. Do periodic inspections to the installation to make sure that all hardware is secure and tight.

**To protect your investment**, wax this product after installing. Regular waxing is recommended to add a protective layer over the finish. Do not use any type of polish or wax that may contain abrasives that could damage the finish. Mild soap may be used to clean the Grille Guard.

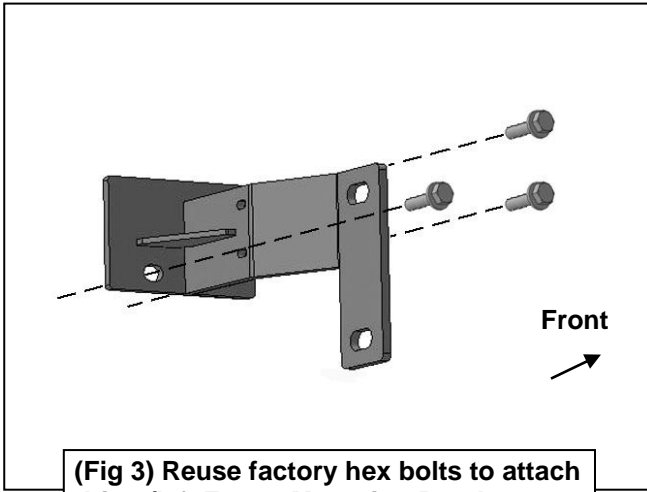


**(Fig 1) Remove plastic panel (arrow). Passenger/right side pictured with factory tow hook**

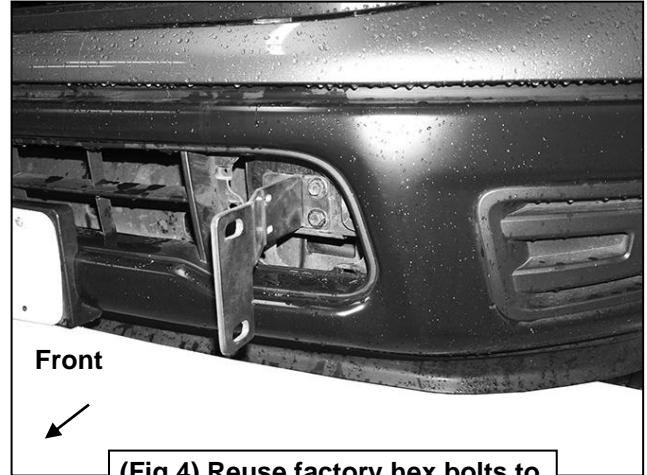


**(Fig 2) Remove plastic panel. Models with sensor, unplug harness**

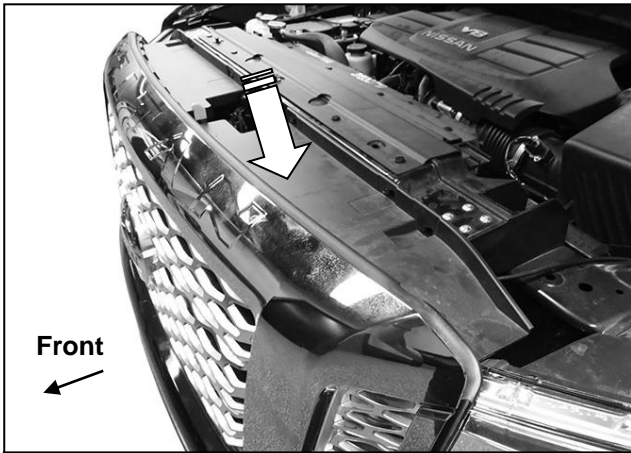
**Driver/left Side Installation Pictured**



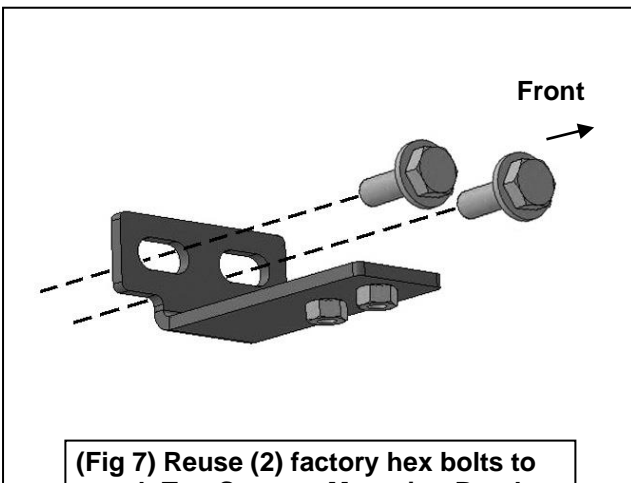
**(Fig 3) Reuse factory hex bolts to attach driver/left Frame Mounting Bracket**



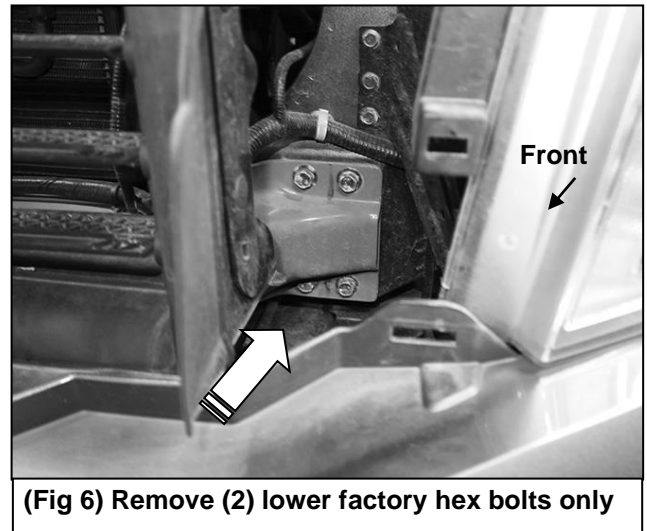
**(Fig 4) Reuse factory hex bolts to attach Frame Mounting Brackets**



**(Fig 5) Remove plastic cover (arrow) and grille**

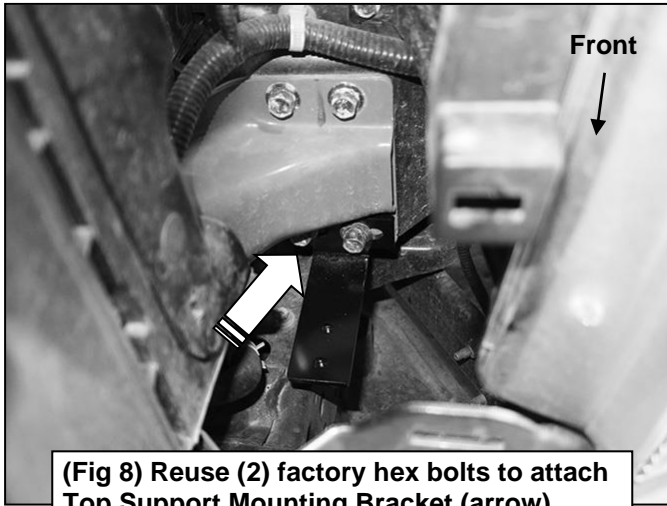


**(Fig 7) Reuse (2) factory hex bolts to attach Top Support Mounting Bracket**



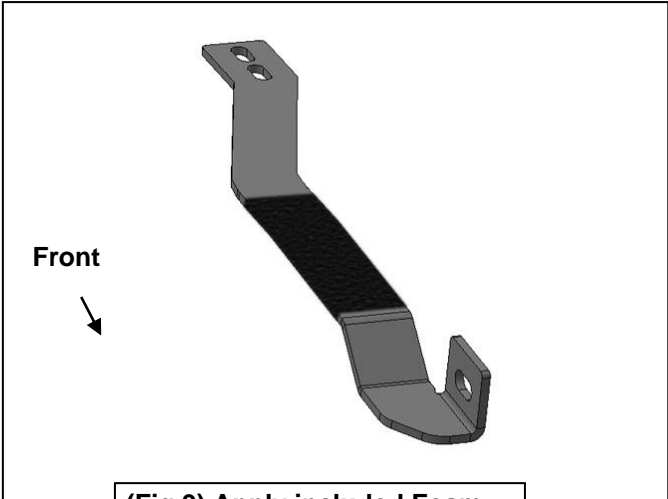
**(Fig 6) Remove (2) lower factory hex bolts only**

**Passenger/Right Side Installation Pictured**

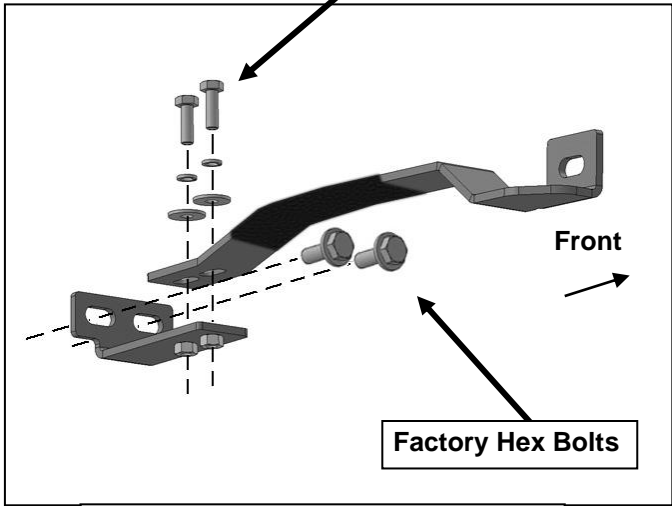


**(Fig 8) Reuse (2) factory hex bolts to attach Top Support Mounting Bracket (arrow)**

- (2) 8mm x 25mm Hex Bolts
- (2) 8mm Lock Washers
- (2) 8mm Flat Washers

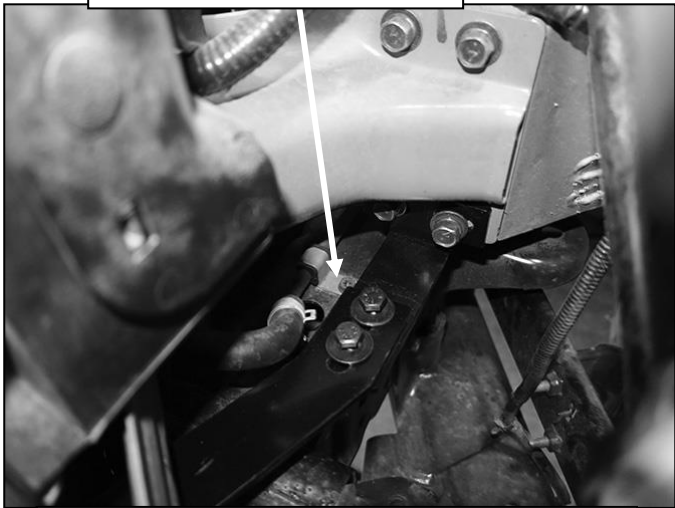


**(Fig 9) Apply included Foam Tape to Top Support Brackets**



**(Fig 10) Attach Top Support Bracket to top of Mounting Bracket**

- (2) 8mm x 25mm Hex Bolts
- (2) 8mm Lock Washers
- (2) 8mm Flat Washers



**(Fig 11) Slide Top Support Bracket through bumper, (see Fig 12). Attach Bracket to top of Mounting Bracket**

**Passenger/Right Side Installation Pictured**

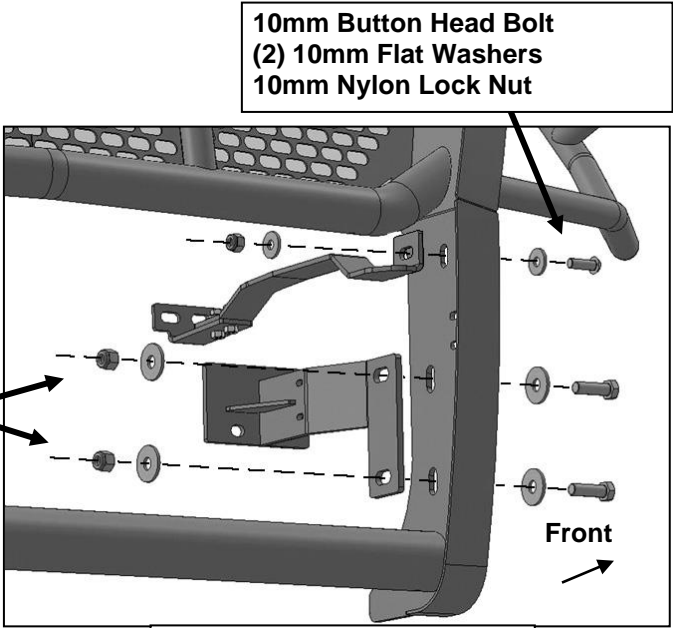


Insert Top Bracket through gap between plastic bumper cover (fascia) and bumper

(Fig 12) Attach Top Support Bracket to top of Mounting Bracket

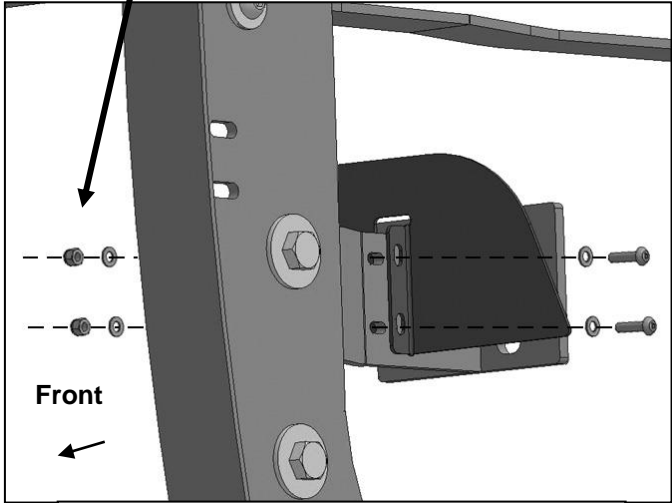
(2) 12mm Hex Bolts  
(4) 12mm Flat Washers  
(2) 12mm Nylon Lock Nuts

(2) 5mm Button Head Bolts  
(4) 5mm Flat Washers  
(2) 5mm Nylon Lock Nuts

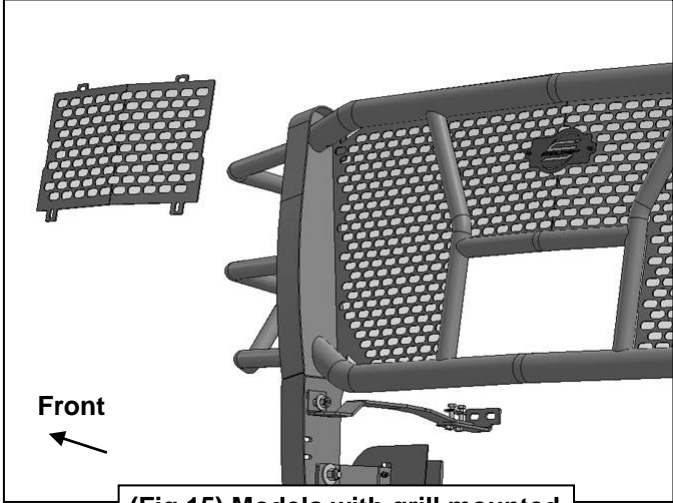


10mm Button Head Bolt  
(2) 10mm Flat Washers  
10mm Nylon Lock Nut

(Fig 13) Attach Grille Guard to top and bottom Brackets



(Fig 14) Attach Fill Panel to Frame Bracket



(Fig 15) Models with grill mounted camera, remove screen