

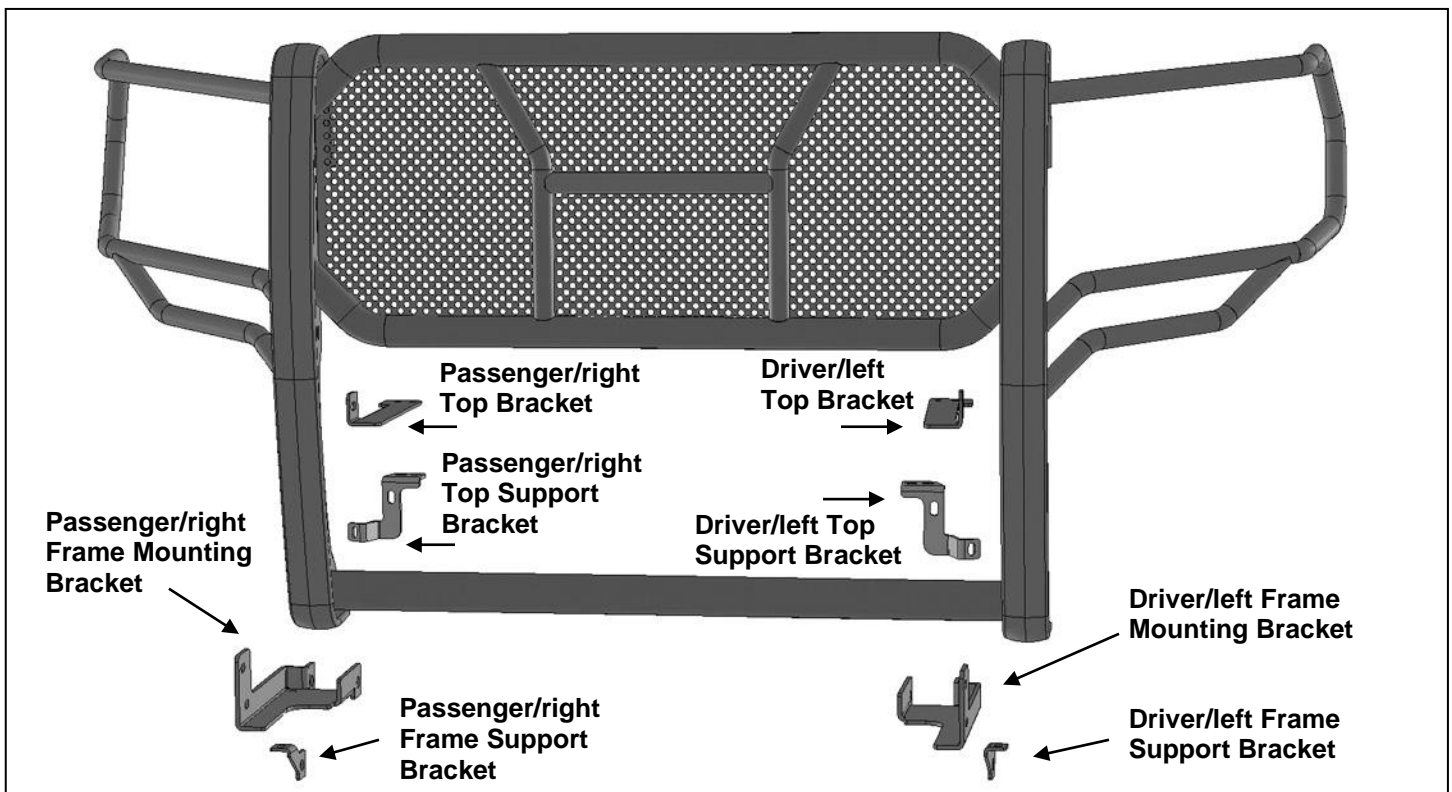


INSTALLATION INSTRUCTIONS

**EXTREME GRILLE GUARD
2019 DODGE RAM 25-3500**

PARTS LIST:

1	Extreme Grille Guard	4	12mm x 37mm x 3mm Large Flat Washers
1	Driver/left Frame Bracket	12	12mm x 32mm x 3mm Flat Washers
1	Passenger/right Frame Bracket	2	12mm Lock Washers
1	Driver/left Top Bracket	2	12mm Hex Nuts
1	Passenger/right Top Bracket	6	12mm Nylon Lock Nuts
1	Driver/left Top Support Bracket	2	10-1.5mm x 35mm Hex Bolts
1	Passenger/right Top Support Bracket	2	10mm x 24mm x 2.2mm Flat Washers
1	Driver/left Frame Support Bracket	2	10mm Lock Washers
1	Passenger/right Frame Support Bracket	6	8-1.25mm x 30mm Hex Bolts
4	Rubber Sensor Covers	6	8mm x 22mm x 2mm Flat Washers
2	12-1.75mm x 120mm Hex Bolts	6	8mm Lock Washers
6	12-1.75mm x 35mm Hex Bolts	1	2.5mm Wrench



PROCEDURE:

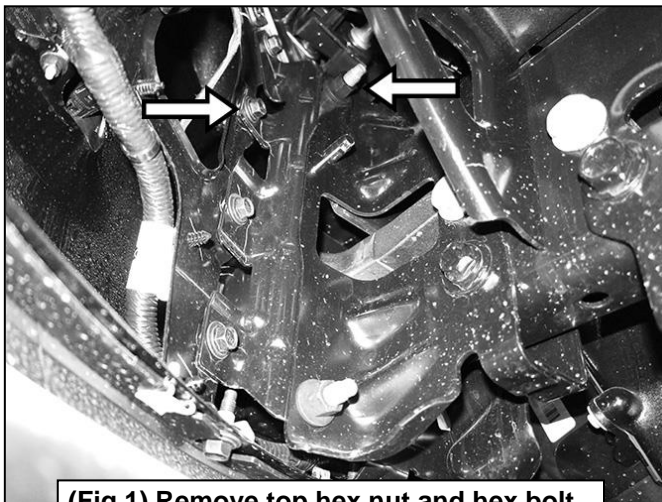
REMOVE CONTENTS FROM BOX. VERIFY ALL PARTS ARE PRESENT. READ INSTRUCTIONS CAREFULLY BEFORE STARTING INSTALLATION. ASSISTANCE IS RECOMMENDED. INSTALLATION MAY INTERFERE WITH FRONT BUMPER MOUNTED SENSORS.

1. Start installation under the driver/left side of the front bumper. Remove the factory hex nut attaching the top of the bumper to the top/center of the bumper bracket, **(Figure 1)**. Next, remove the factory hex bolt attaching the top of the bumper reinforcement to the bumper bracket. **NOTE:** Select the driver/left Top Mounting Bracket. Hold the Bracket up to the back of the bumper bracket to help determine correct hardware to remove, **(Figure 2)**.
2. Reuse the factory hex nut to attach the driver/left Top Mounting Bracket to the threaded stud on back of the bumper bracket, **(Figure 2)**. Attach the Bracket to the back of the bumper bracket with the supplied longer (1) 8mm x 30mm Hex Bolt, (1) 8mm Lock Washer and (1) 8mm Flat Washer, **(Figures 2 & 6)**. Do not fully tighten hardware at this time.

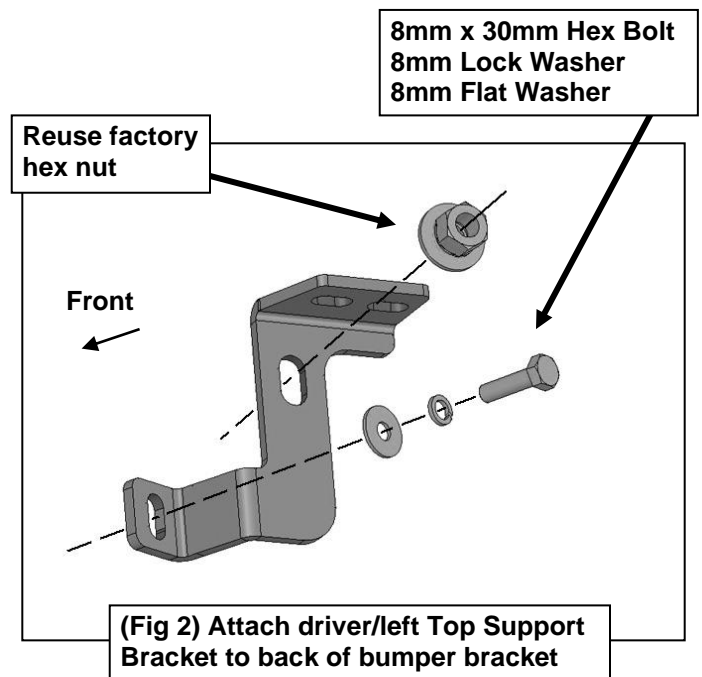
3. Select the driver/left Top Bracket, **(Figure 5)**. Slide the flat end of the Bracket through the gap between the top of the bumper and the bottom of the grille, **(Figure 3 & 4)**. Attach the Top Bracket to the top of the Support Bracket with the included (2) 8mm x 30mm Hex Bolts, (2) 8mm Lock Washers and (2) 8mm Flat Washers, **(Figures 5 & 6)**. Do not fully tighten hardware at this time.
4. Next, remove the (2) factory hex bolts attaching the driver/left tow hook, **(Figure 7)**. **IMPORTANT:** Tow hook bolts are held in place with high torque. Breaker bar or air assisted tools may be required to remove factory bolts. Once hardware has been removed, slide the tow hook out through the bumper.
5. Select the driver/left Frame Mounting Bracket. Place the tow hook on top of the Bracket, **(Figures 8 & 9)**. Slide the Bracket and tow hook through the opening in the front bumper. Reuse the factory hex bolt to attach the tow hook to the rear mounting hole in the frame, **(Figures 9 & 10)**. Use the included longer 12mm x 120mm Hex Bolt (2) 12mm x 37mm Large Flat Washers, (1) 12mm Lock Washer and (1) 12mm Hex Nut to attach the Bracket and tow hook to the forward tow hook mounting hole, **(Figures 9 & 10)**.
6. Remove the factory hex bolt from the side of the frame, **(Figure 10)**. Select the driver/left Frame Support Bracket, **(Figure 11)**. Reuse the hex bolt to attach the Support Bracket to the frame. Attach the top of the Support Bracket to the bottom of the Frame Bracket with the included (1) 10mm x 35mm Hex Bolt, (1) 10mm Lock Washer and (1) 10mm Flat Washer, **(Figures 11 & 12)**. Leave hardware loose.
7. Repeat **Steps 1—6** to install the passenger/right Top and Frame Mounting Brackets.
8. With assistance, hold the Grille Guard up to the outside of the Brackets. Attach the Grille Guard to the Brackets with the included (6) 12mm x 35mm Hex Bolts, (12) 12mm x 32mm Flat Washers and (6) 12mm Nylon Lock Nuts, **(Figures 13 & 14)**.
9. Stand back from the vehicle and check to see that the Grille Guard is centered and level on the vehicle and adjust as necessary. Once adjusted, fully tighten all hardware.
10. On models with grille mounted camera, remove the panel in the screen on the Grille Guard, **(Figure 15)**.
11. Do periodic inspections to the installation to make sure that all hardware is secure and tight.

To protect your investment, Do not use any type of polish or wax that may contain abrasives that could damage the finish. Mild soap may be used to clean the Grille Guard.

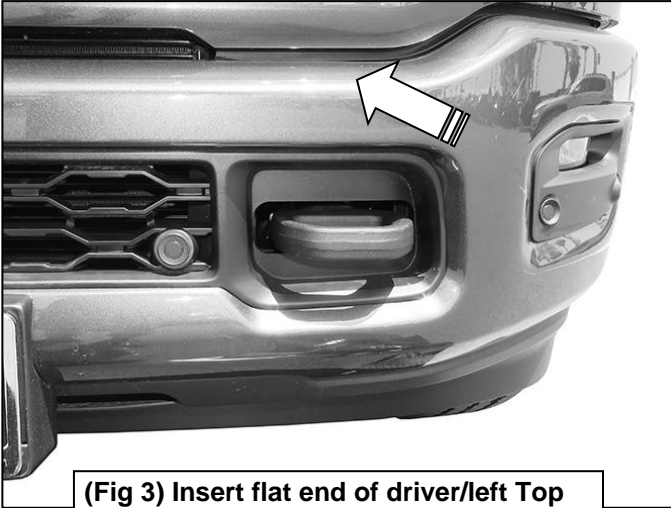
Driver Side Installation Pictured



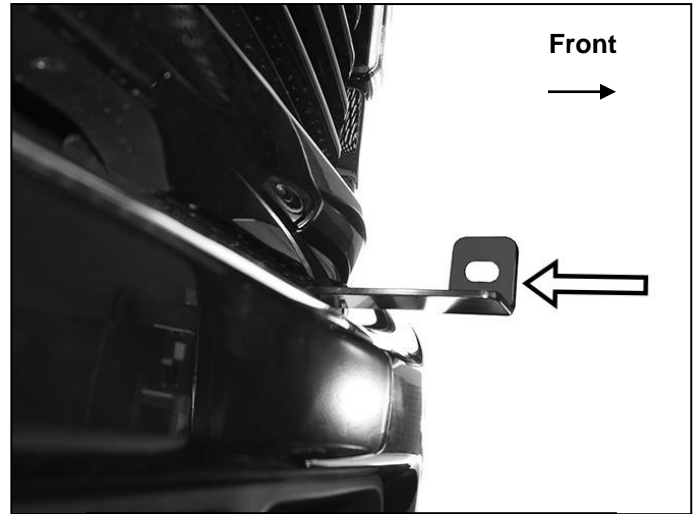
(Fig 1) Remove top hex nut and hex bolt from back of bumper bracket (arrows).



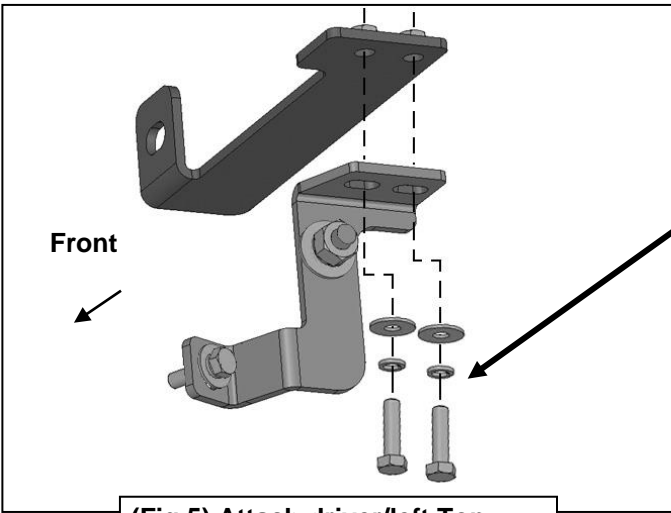
Driver Side Installation Pictured



(Fig 3) Insert flat end of driver/left Top Bracket through bumper (arrow)

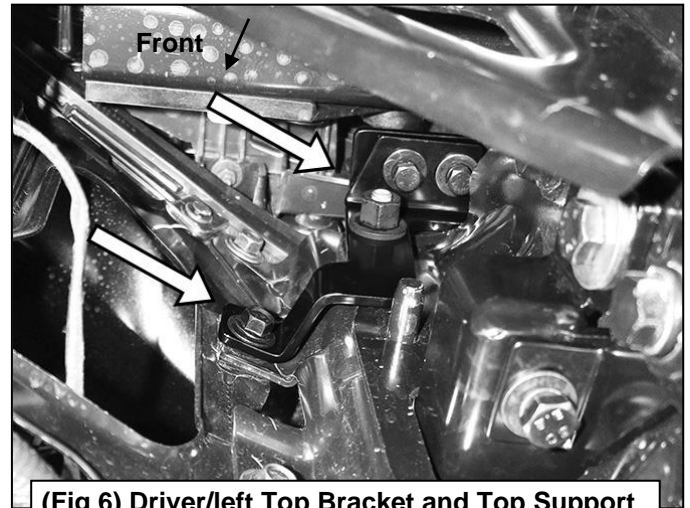


(Fig 4) Insert flat end of driver/left Top Bracket through bumper (arrow)

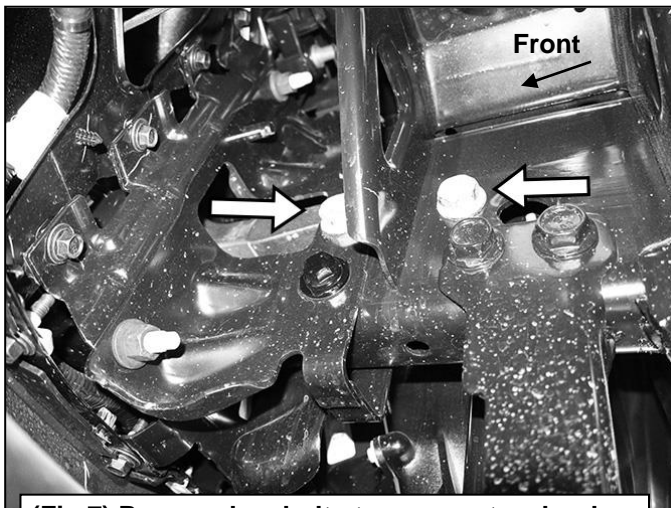


(Fig 5) Attach driver/left Top Bracket to Top Support Bracket

- (2) 8mm x 30mm Hex Bolts
- (2) 8mm Lock Washers
- (2) 8mm Flat Washers

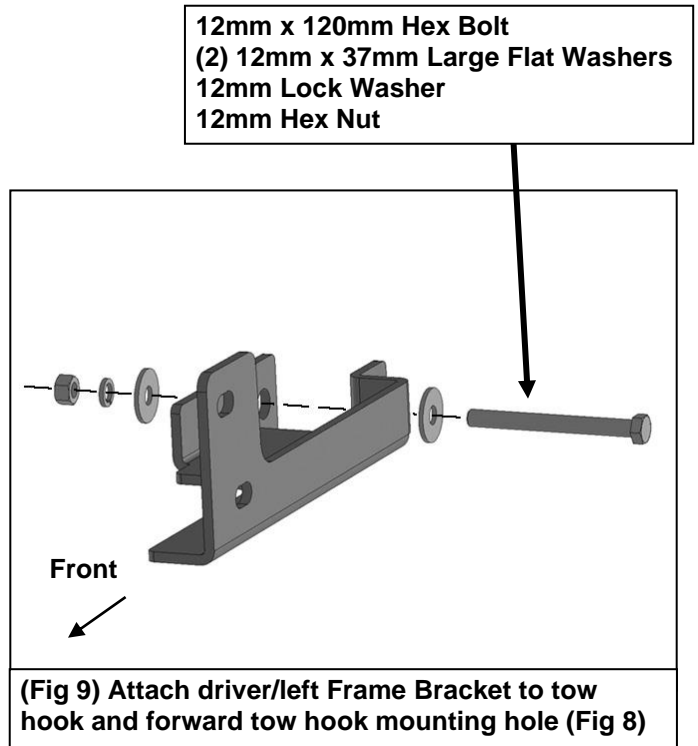
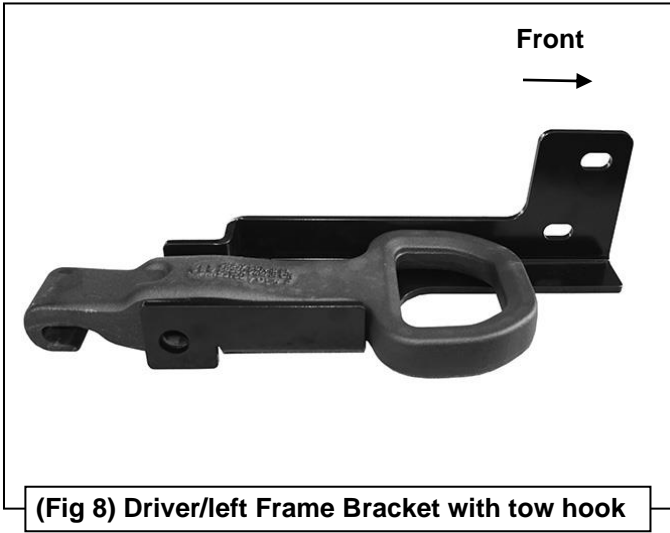


(Fig 6) Driver/left Top Bracket and Top Support Bracket pictured from behind bumper

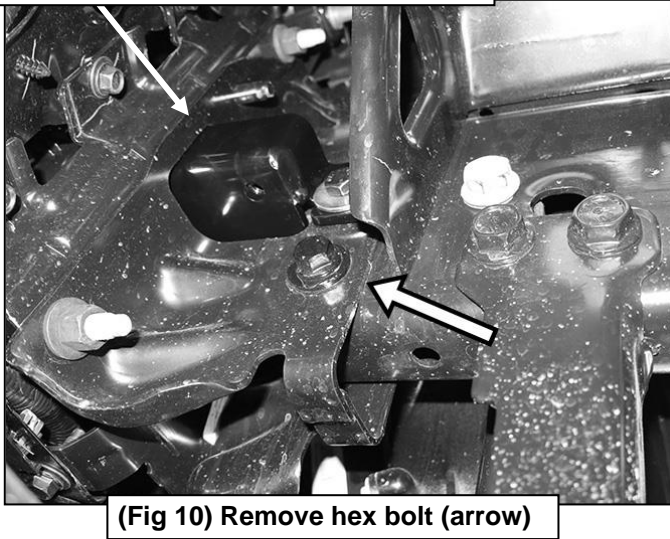


(Fig 7) Remove hex bolts to remove tow hook

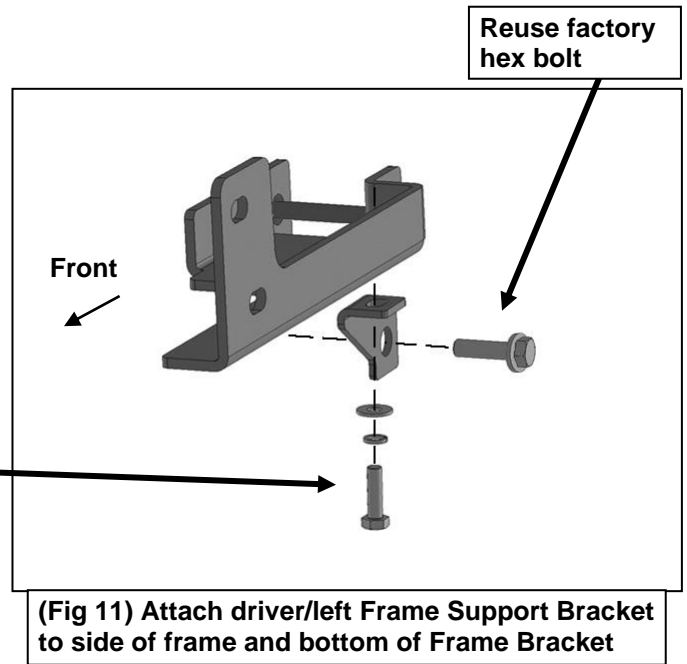
Driver Side Installation Pictured



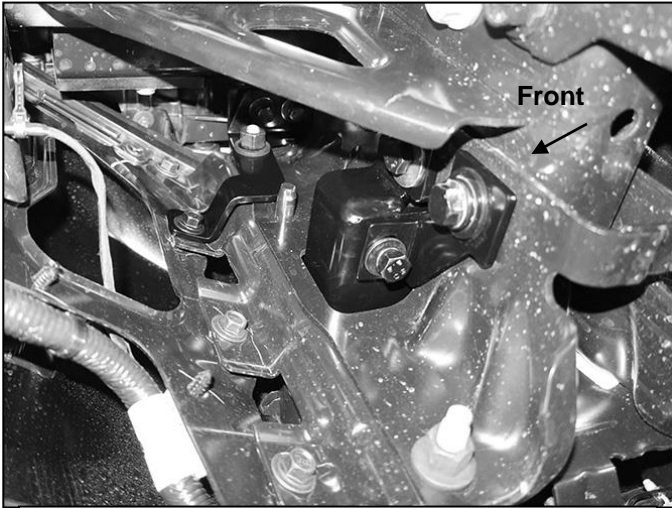
Driver/left Frame Bracket to tow hook and forward tow hook mounting hole



10mm x 35mm Hex Bolt
10mm Lock Washer
10mm Flat Washers

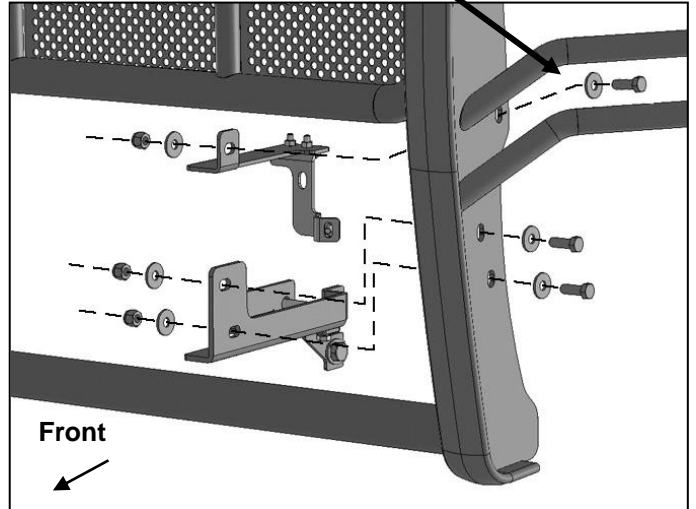


Driver Side Installation Pictured



(Fig 12) Driver/left Mounting Brackets installed, pictured from behind/below bumper

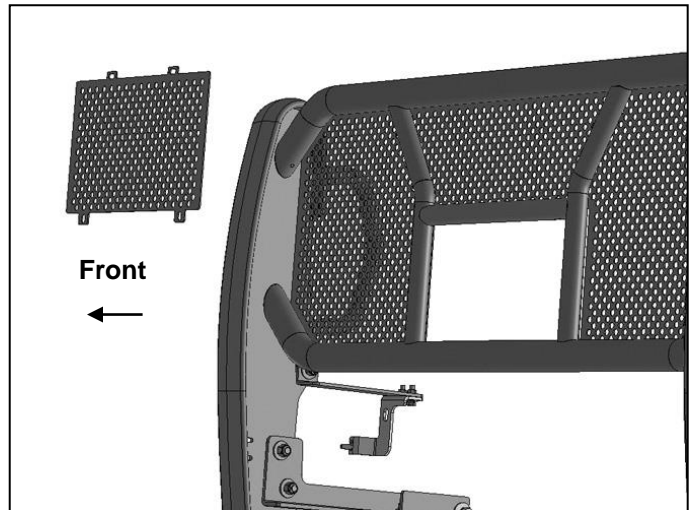
- (3) 12mm x 35mm Hex Bolts
- (6) 12mm x 32mm STD Flat Washers
- (3) 12mm Nylon Lock Nuts



(Fig 13) Attach Grill Guard to outside of driver/left Mounting Brackets



(Fig 14) Attach Grill Guard to outside of driver/left Mounting Brackets



(Fig 15) Models with camera, remove screen