



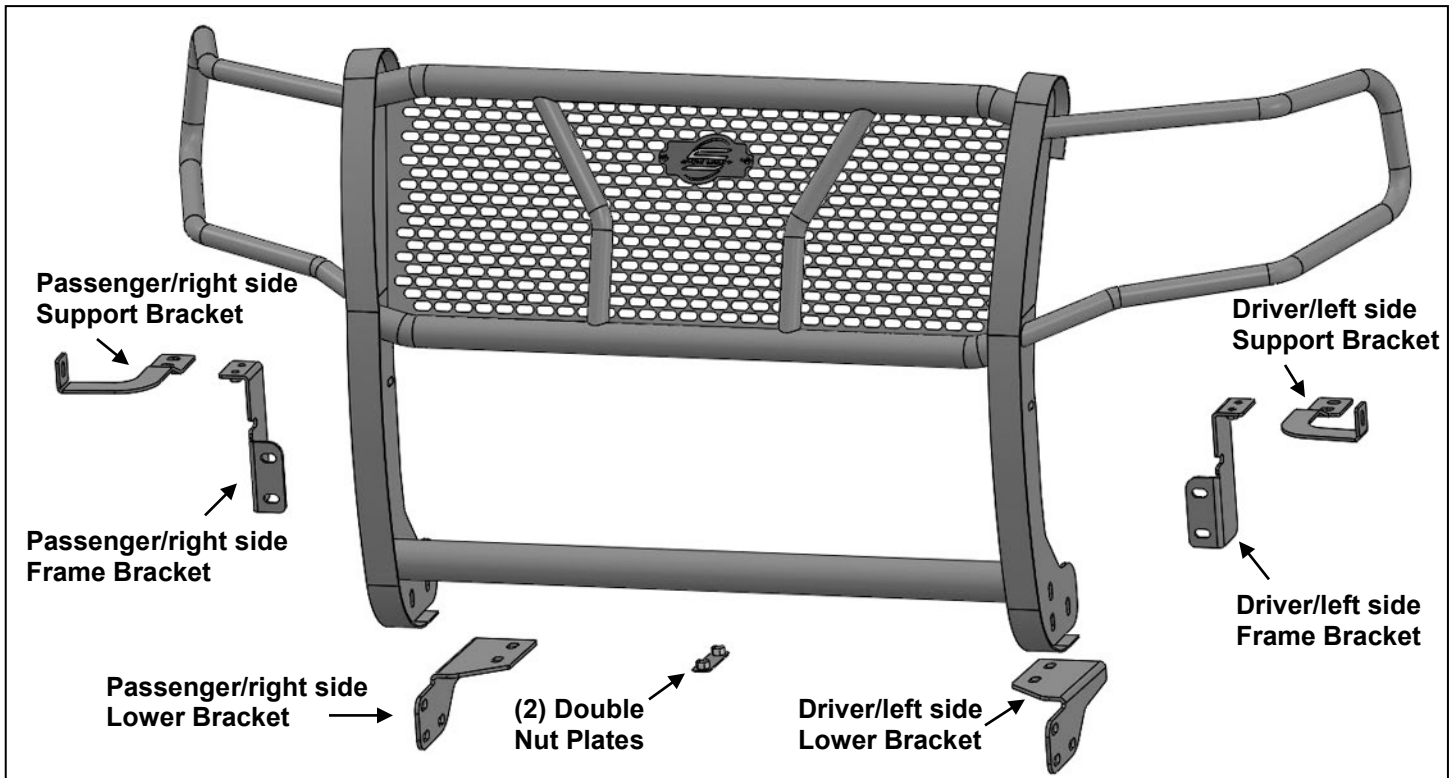
INSTALLATION INSTRUCTIONS

XHDGG

07-17 FORD EXPEDITION

PARTS LIST:

1	HD Grille Guard	6	12mm x 40mm Hex Bolts
1	Driver/left side Frame Bracket	16	12mm x 32mm x 3mm Flat Washers
1	Passenger/right side Frame Bracket	4	12mm Lock Washers
1	Driver/left side Support Bracket	6	12mm Nylon Lock Nuts
1	Passenger/right side Support Bracket	2	10mm x 35mm Hex Bolts
1	Driver/left side Lower Bracket	4	10mm x 30mm Hex Bolts
1	Passenger/right side Lower Bracket	8	10mm x 27mm x 3mm Flat Washers
2	12mm Double Nut Plates	4	10mm Lock Washers
4	12mm x 55mm Hex Bolts	2	10mm Nylon Lock Nuts



PROCEDURE:

- REMOVE CONTENTS FROM BOX. VERIFY ALL PARTS ARE PRESENT. READ INSTRUCTIONS CAREFULLY BEFORE STARTING INSTALLATION.**
- Starting from underneath the driver/left side of the front bumper, locate and remove the plastic tow hook cover, **(Figure 1)**. Vehicles equipped with tow hook, remove tow hook.
- Insert (1) 12mm Double Nut Plate into the front opening of the driver side frame with the threaded nuts facing up. Line up the bottom holes in the frame with the threaded nuts.
- Select the driver/left side Lower Bracket, **(Figure 2)**. Slide the Bracket into the tow hook opening and line up the Bracket with the bottom holes in the frame. Use (2) 12mm x 55mm Hex Bolts, (2) 12mm Lock Washers and (2) 12mm Flat Washers to attach the Lower Bracket to the bottom of the frame, **(Figure 3)**. Do not tighten hardware.
- Repeat **Steps 2—4** for passenger/right side Lower Bracket installation.
- Release the plastic clips holding the rubber piece to the back of the bumper, **(Figure 4)**.
- Next, remove the (2) factory flange nuts from the inner side of the bumper mounts, **(Figure 5)**. Position the Driver/left side Frame Bracket up to the inner bumper mounts. Secure the Bracket using the factory flange nuts, **(Figure 6)**. Tighten these bolts at this time.

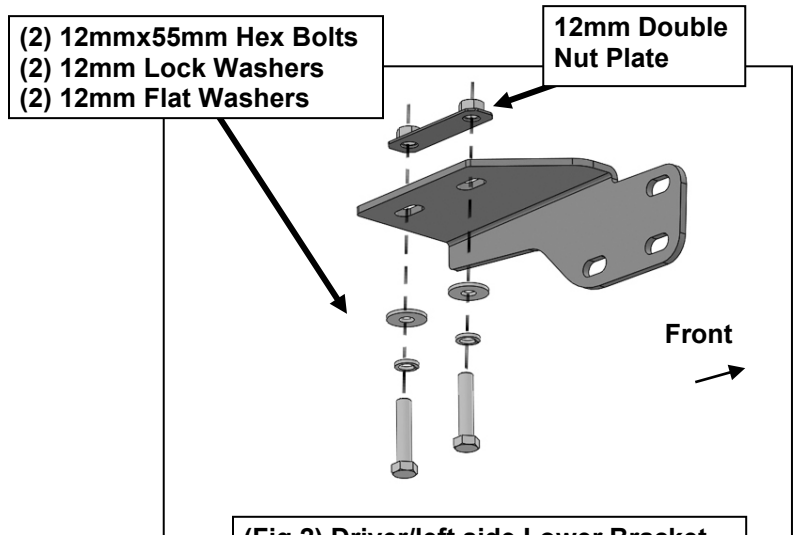
8. Select the Driver/left side Support Bracket. Insert the Bracket through the front opening in the bumper and align the Bracket with the top welded nuts on the Frame Bracket, **(Figure 7)**. Use the included (2) 10mm x 30mm Hex Bolts, (2) 10mm Lock Washers and (2) 10mm Flat Washers to Secure the Support Bracket to the Frame Bracket, **(Figures 7 & 8)**. Do not tighten at this time.
9. Repeat **Steps 7 & 8** for passenger side Frame and Support Bracket installation.
10. With assistance, position the Grille Guard up to the outside of the Brackets. Attach Grille Guard to Lower Brackets using the included (6) 12mm x 40mm Hex Bolts, (12) 12mm Flat Washers and (6) 12mm Nylon Lock Nuts, **(Figures 9 & 10)**. Do not tighten at this time.
11. Attach the Support Brackets to the inside of the Grille Guard Upright using the included (2) 10mm x 35mm Hex Bolts, (4) 10mm Flat Washers and (2) 10mm Nylon Lock Nuts, **(Figures 9 & 11)**. Do not tighten at this time.
12. Reinstall the rubber piece behind the bumper, see **Step 6**.
13. Level and adjust Grille Guard as desired, then tighten all hardware at this time.
14. Do periodic inspections to the installation to make sure that all hardware is secure and tight.

To protect your investment, wax this product after installing. Regular waxing is recommended to add a protective layer over the finish. Do not use any type of polish or wax that may contain abrasives that could damage the finish. Mild soap may be used to clean the Grille Guard.

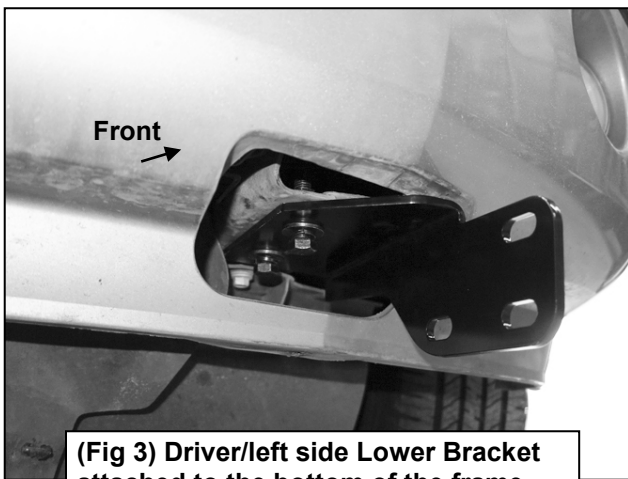
Driver/left side Installation Pictured



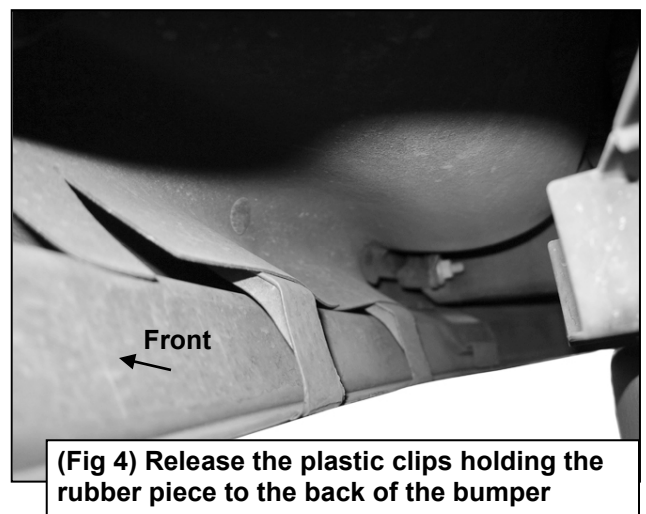
(Fig 1) Driver/left side tow hook cover



(Fig 2) Driver/left side Lower Bracket

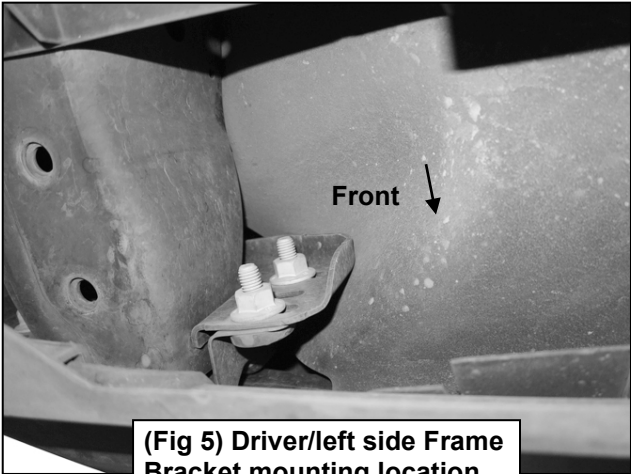


(Fig 3) Driver/left side Lower Bracket attached to the bottom of the frame

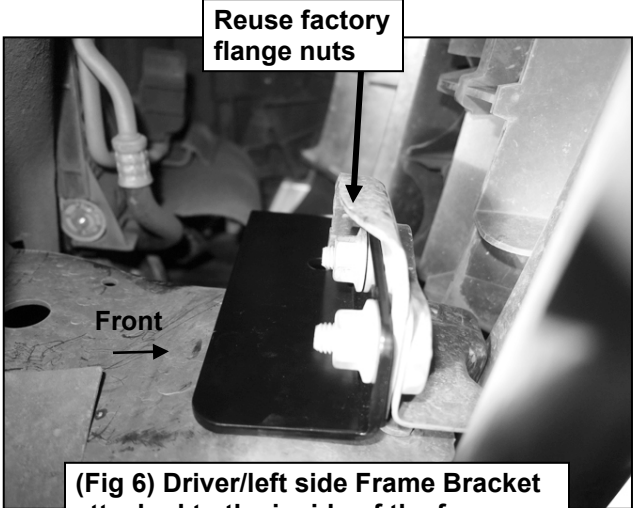


(Fig 4) Release the plastic clips holding the rubber piece to the back of the bumper

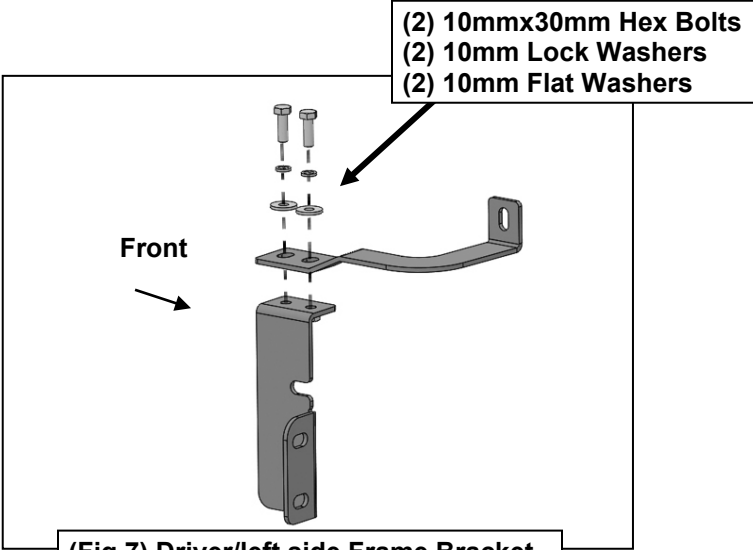
Driver/left side Installation Pictured



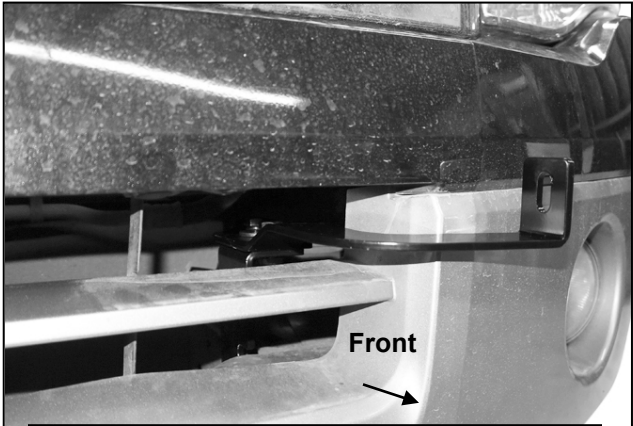
(Fig 5) Driver/left side Frame Bracket mounting location



(Fig 6) Driver/left side Frame Bracket attached to the inside of the frame

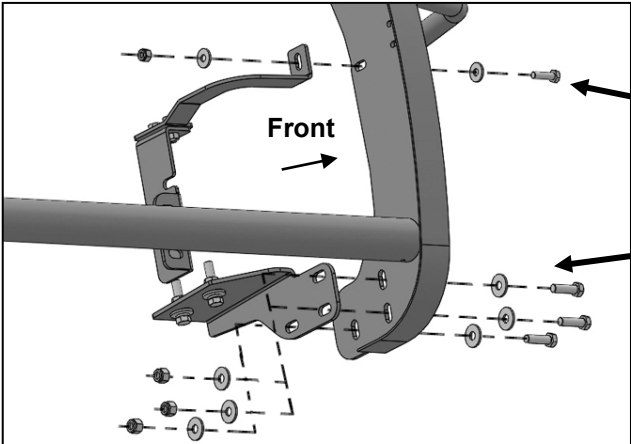


(Fig 7) Driver/left side Frame Bracket and Support Bracket illustrated



(Fig 8) Insert the Support Bracket through the grille opening (Driver/left side pictured)

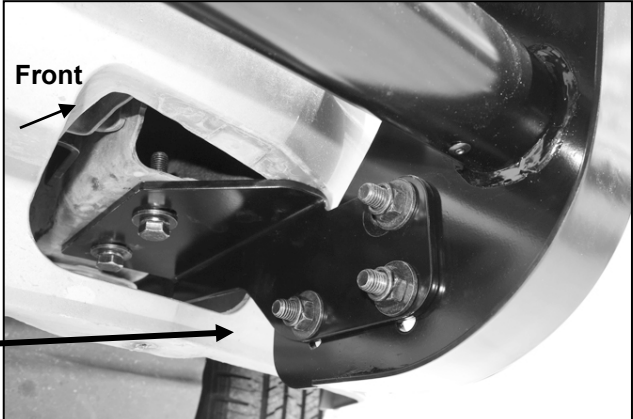
Driver/left side Installation Pictured



10mm x 35mm Hex Bolt
(2) 10mm Flat Washers
10mm Nylon Lock Nut

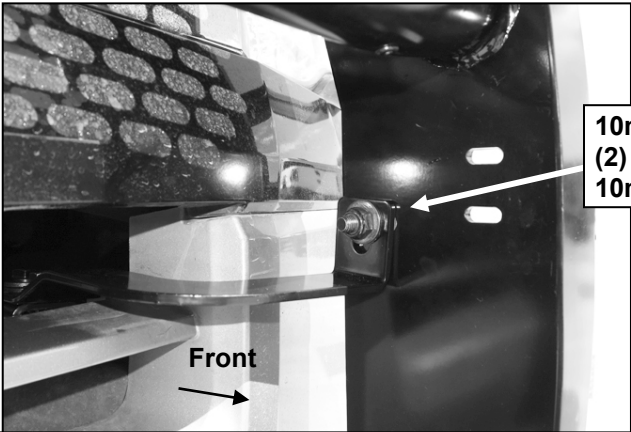
(3) 12mm x 40mm Hex Bolts
(6) 12mm Flat Washers
(3) 12mm Nylon Lock Nuts

(Fig 9) Driver/left side Brackets attached to the inside of the Grille Guard Upright illustrated



(3) 12mm x 40mm Hex Bolts
(6) 12mm Flat Washers
(3) 12mm Nylon Lock Nuts

(Fig 10) Driver/left side Lower Bracket attached to the inside of the Grille Guard Upright



10mm x 35mm Hex Bolt
(2) 10mm Flat Washers
10mm Nylon Lock Nut

(Fig 11) Driver/left side Support Bracket attached to the inside of the Grille Guard Upright



Complete Installation