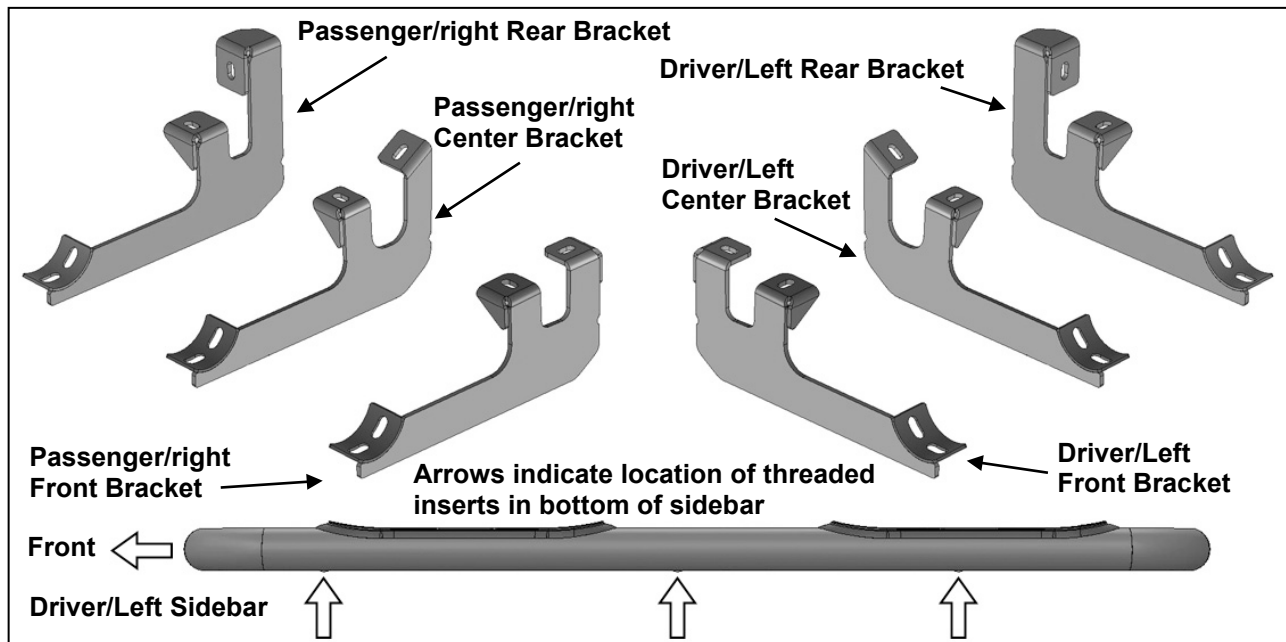


PARTS LIST:

1	Driver/Left Sidebar	1	Driver/Left Rear Mounting Bracket
1	Passenger/Right Sidebar	1	Passenger/Right Rear Mounting Bracket
1	Driver/Left Front Mounting Bracket	12	8mm x 25mm Hex Bolts
1	Passenger/Right Front Mounting Bracket	12	8mm x 24mm x 2mm Flat Washers
1	Driver/Left Center Mounting Bracket	12	8mm Lock Washers
1	Passenger/Right Center Mounting Bracket	12	8mm Combo Hex Bolts w-washers

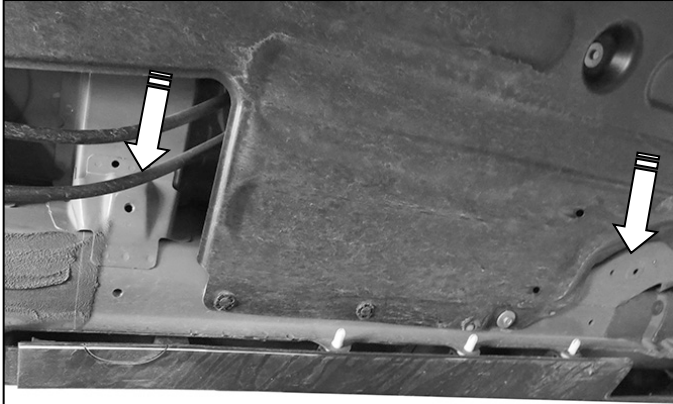


PROCEDURE:

- 1. REMOVE CONTENTS FROM BOX. VERIFY ALL PARTS ARE PRESENT. READ INSTRUCTIONS CAREFULLY BEFORE STARTING INSTALLATION.**
- Starting on the driver/left front of the vehicle, locate the two factory 8mm threaded holes located in the bottom of the floor panel, **(Figure 1)**. **NOTE:** Brackets install in the factory running board mounting locations. Threaded holes may be covered with insulation.
- Select the driver/left Front Bracket, **(Figure 2)**. Attach the Bracket to the threaded holes with (2) 8mm x 25mm Hex Bolts, (2) 8mm Lock Washers and (2) 8mm Flat Washers, **(Figures 2, 6 & 8)**. Snug but do not tighten hardware at this time.
- Move to the center of the vehicle. Locate the two threaded holes in the bottom of the floor panel and body support, **(Figure 1)**. Repeat **Steps 2 & 3** to attach driver/left Center Bracket, **(Figures 3 & 8)**.
- Next, move to the rear of the vehicle. Locate the holes in the bottom and inner side of the floor panel, **(Figure 4)**. Repeat **Steps 2 & 3** to install the driver/left Rear Bracket, **(Figures 5, 7 & 8)**.
- Carefully position the driver/left Sidebar onto the Brackets. **IMPORTANT:** Do not slide, (front to back or rotate), the Sidebar on the Brackets or damage to the finish may result. Attach the Sidebar to the Brackets with the included (6) 8mm x 25mm Combination Hex Bolts, **(Figures 6—8)**. Do not tighten hardware at this time.
- Align the Sidebar properly and tighten all hardware.
- Repeat **Steps 2—7** for the passenger/right Sidebar installation.
- Do periodic inspections to the installation to make sure that all hardware is secure and tight.

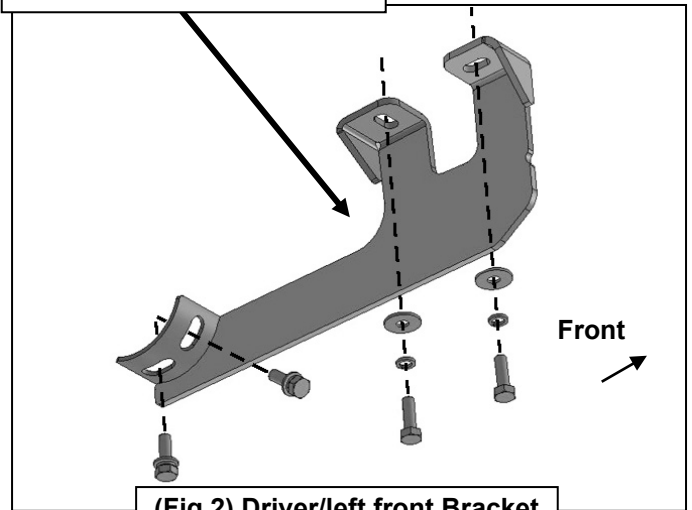
To protect your investment, wax this product after installing. Regular waxing is recommended to add a protective layer over the finish. Do not use any type of polish or wax that may contain abrasives that could damage the finish. **For stainless steel:** Aluminum polish may be used to polish small scratches and scuffs on the finish. Mild soap may be used also to clean the Sidebars. **For gloss black finishes:** Mild soap may be used to clean Sidebars.

Driver/left Side Installation Pictured



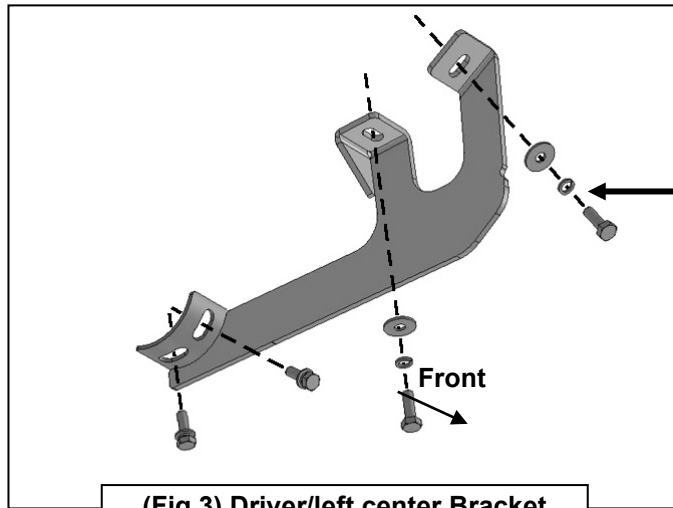
(Fig 1) Driver/left front and center mounting locations

- (2) 8mm x 25mm Hex Bolts
- (2) 8mm Lock Washers
- (2) 8mm Flat Washers

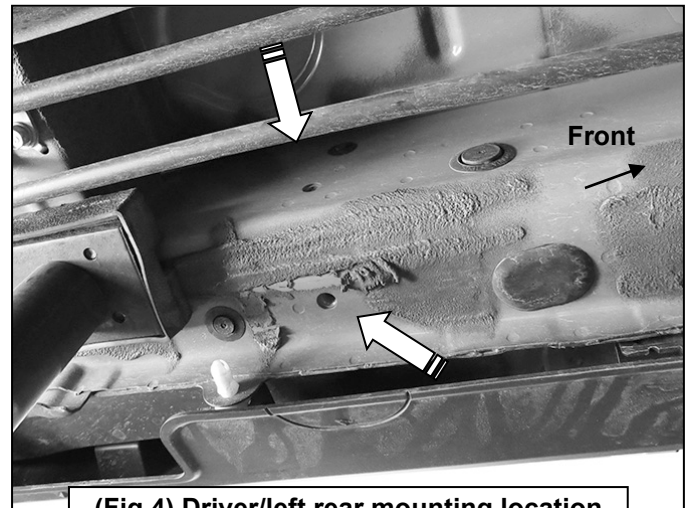


(Fig 2) Driver/left front Bracket

- (2) 8mm x 25mm Hex Bolts
- (2) 8mm Lock Washers
- (2) 8mm Flat Washers

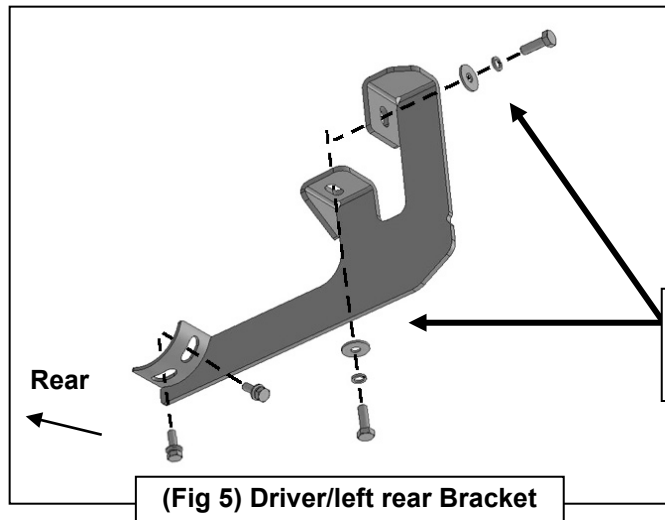


(Fig 3) Driver/left center Bracket



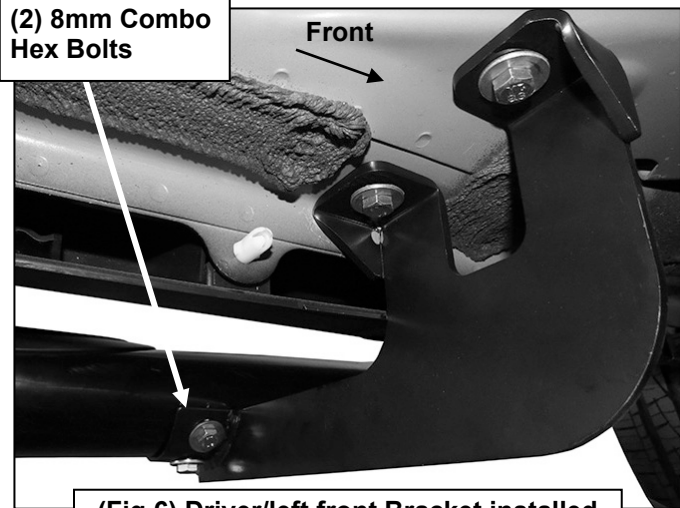
(Fig 4) Driver/left rear mounting location

- (2) 8mm x 25mm Hex Bolts
- (2) 8mm Lock Washers
- (2) 8mm Flat Washers

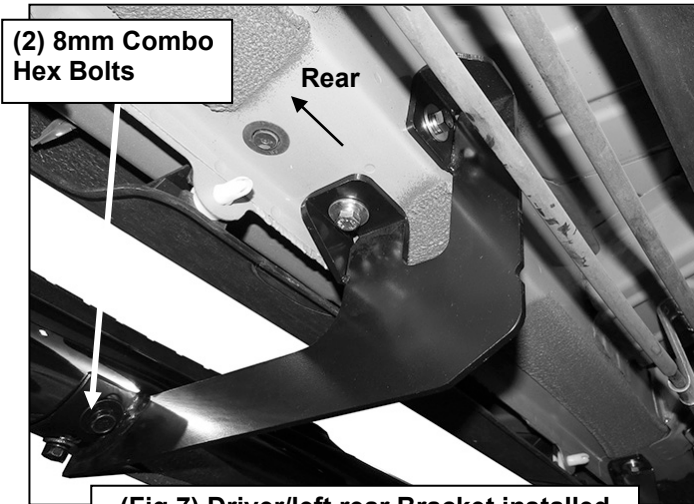


(Fig 5) Driver/left rear Bracket

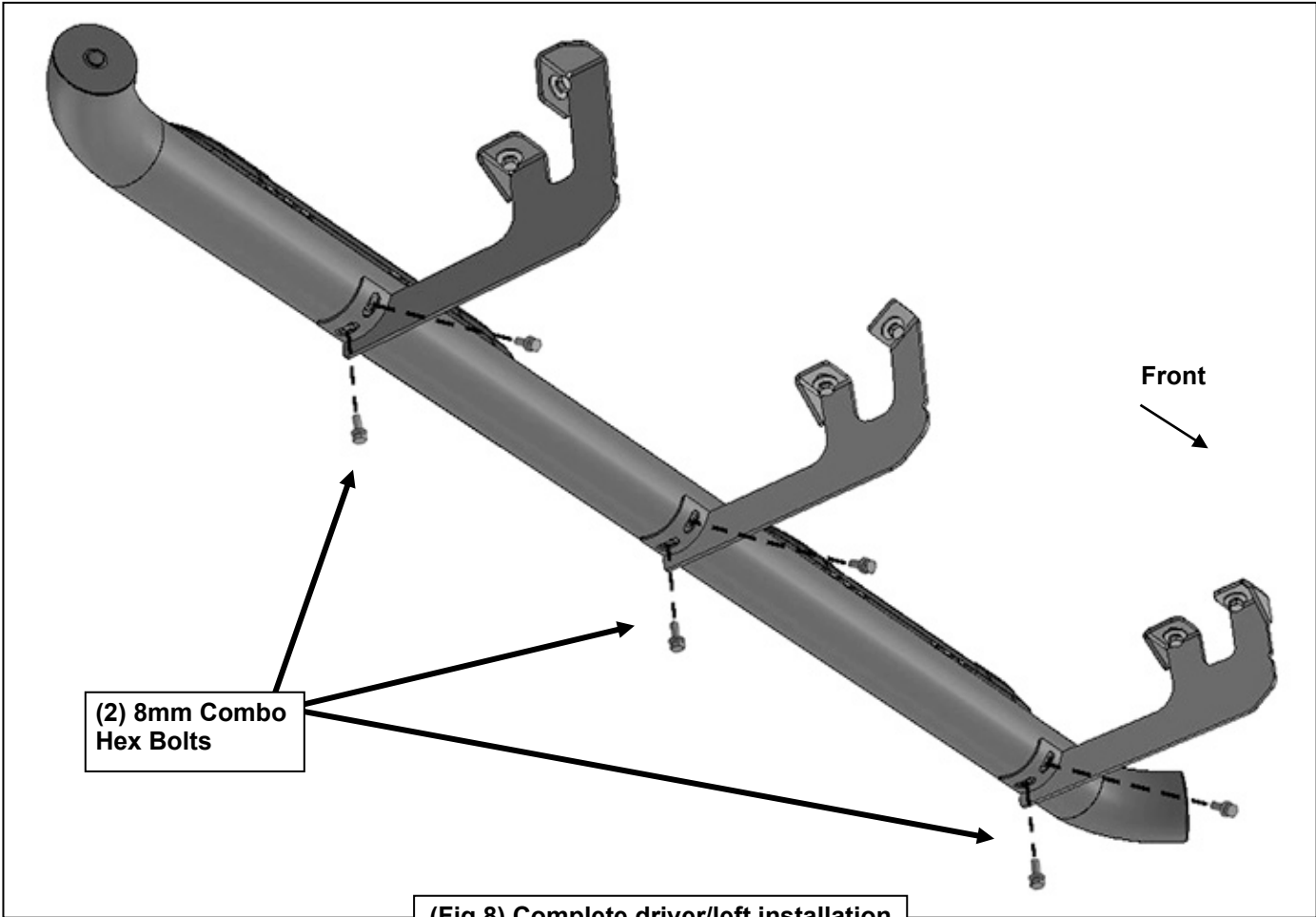
Driver/left Side Installation Pictured



(Fig 6) Driver/left front Bracket installed



(Fig 7) Driver/left rear Bracket installed



(Fig 8) Complete driver/left installation