



# INSTALLATION INSTRUCTIONS

## BULL BAR

07-On CHEVY TRAILBLAZER

PART #

### PARTS LIST:

1	Bull Bar	4	12mm Lock Washers
1	Driver/Left Mounting Bracket	8	12mm ID x 29mm OD x 3mm Flat Washers
1	Passenger/Right Mounting Bracket	6	10-1.50mm x 35mm Hex Head Bolts
4	12-1.75mm x 35mm Hex Bolts	6	10mm Hex Nuts
4	12mm Hex Nuts	6	10mm Lock Washers
		12	10mm ID x 26mm OD x 3mm Flat Washers

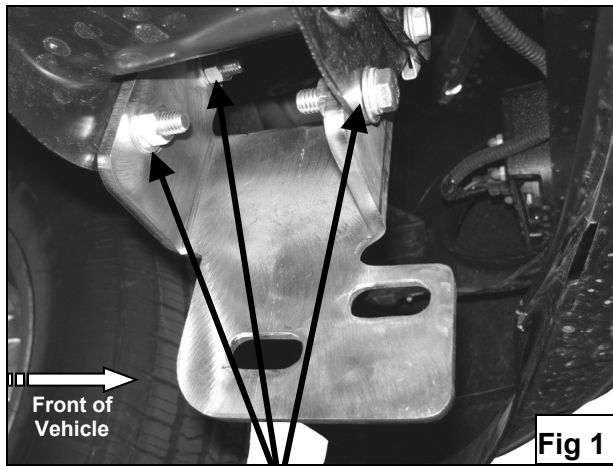


### PROCEDURE:

- 1. REMOVE CONTENTS FROM BOX. VERIFY ALL PARTS ARE PRESENT. READ INSTRUCTIONS CAREFULLY BEFORE STARTING INSTALLATION.**
- 2. IMPORTANT!** The front license plate, license plate bracket and the factory air dam must be permanently removed from vehicle in order to install this Bull Bar. If local/state law requires a license plate, license plate relocation kit is available through your local retailer store.
- To remove the air dam, use a flat screw driver to remove one push type fasteners on each side; then gently pull air dam towards the front of the vehicle to unfasten clips.
- Locate the three factory holes in the driver side body mount channel (**Figure 1 & 2**).
- Position driver side Frame Bracket into body mount channel. **NOTE:** "U" shaped mounting tabs on the Bracket should be facing the inside of the vehicle (**Figure 1 & 2**).
- Partially mount Bracket to body mount channel using the included (3) 10mm x 30mm Hex Head Bolts, (3) 10mm Hex Nuts, (3) 10mm Lock Washers, and (6) 10mm Flat Washers (**Figure 1 & 2**).
- Repeat steps 3 – 5 for passenger side Mounting Bracket.
- With help position Bull Bar on the outer side of Mounting Brackets. Attach Bull Bar to Mounting Brackets using the included (4) 12-1.75mm x 35mm Hex Head Bolts, (4) 12mm Lock Washers, (4) 12mm Hex Nuts, and (8) 12mm Flat Washers (**Figure 3**).

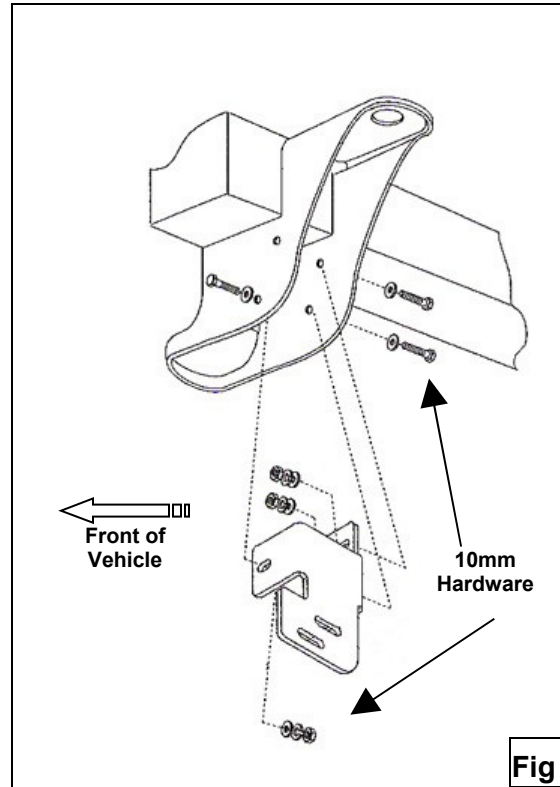
9. Adjust Bull Bar properly, and then tighten all hardware at this time. Torque 12mm bolts to 65 FT.LBS and 10mm bolts to 30 FT.LBS
10. Do periodic inspections to the installation to make sure that all hardware is secure and tight.

**To protect your investment**, wax this product after installing. Regular waxing is recommended to add a protective layer over the finish. Do not use any type of polish or wax that may contain abrasives that could damage the finish.  
**For stainless steel:** Aluminum polish may be used to polish small scratches and scuffs on the finish. Mild soap may be used also to clean the Sidebar.  
**For gloss black finishes:** Mild soap may be used to clean the Sidebar.



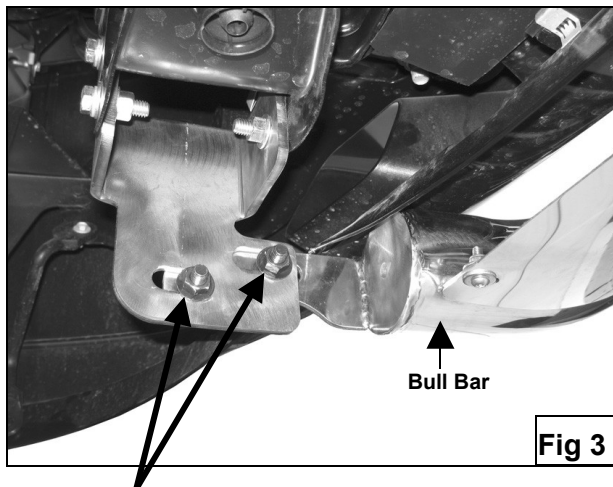
**Fig 1**

10mm x 35mm Hex Bolts  
 10mm Lock Washers  
 10mm Hex Nuts  
 10mm Flat Washers

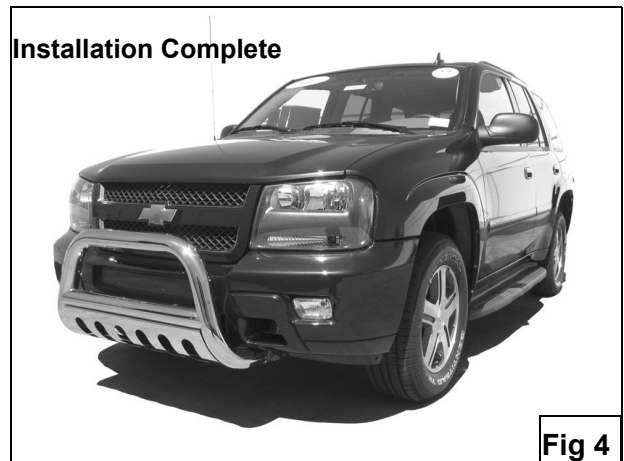


**Fig 2**

12mm x 35mm Hex Bolts  
 12mm Lock Washers  
 12mm Hex Nuts  
 12mm Flat Washers



**Fig 3**



**Fig 4**