



INSTALLATION INSTRUCTIONS
FRONT BAR PART #53010
99-02 TOYOTA 4RUNNER 2/4WD

PARTS LIST

1x FRONT BAR	2x 5/16 S 5 HEX BOLTS
1x TOP MOUNTING BRACKET	2x 5/16 HEX NUTS
1x FRAME MOUNTING BRACKET PASSENGER SIDE	
1x FRAME MOUNTING BRACKET DRIVER SIDE	
4x 5/16 FLAT WASHERS	
6x 7/16 X 1 ¼ HEX BOLTS	6x 7/16 HEX NUTS
12x 7/16 FLAT WASHERS	

INSTALLING FRAME MOUNTING BRACKETS

1. Using the factory existing bolts, (there should be two of these bolts preside) 5/16 x 5 hex bolts, 5/16 hex nuts & 5/16 flat washers, provided in kit. Attach the mounting frame brackets as per diagrams.

INSTALLING THE FRONT BAR

2. Line up the 3 holes on the lower portion of the front bar with the 3 holes on the frame //mounting brackets (outer edge) using the 7/16 x 1 ¼ hex bolts, hex nuts & flat washers to fasten the front bar to the mounting frame brackets. Once the front bar is attached to the mounting brackets align the left and right side of the front bar to the bumper.

INSTALLING THE TOP BRACKET

3. using the factory existing crews, ¼ x ¾ screws and ¼ hex nuts, attach top bracket behind license plate.
4. Once you are satisfied that the left and right side are equal distances from the bumper tighten all fasteners.

NOTE: IT IS ADVISABEL TO RE-CHECK ALL FASTENERS FOR TIGHTNESS AFTER ONE WEEK.

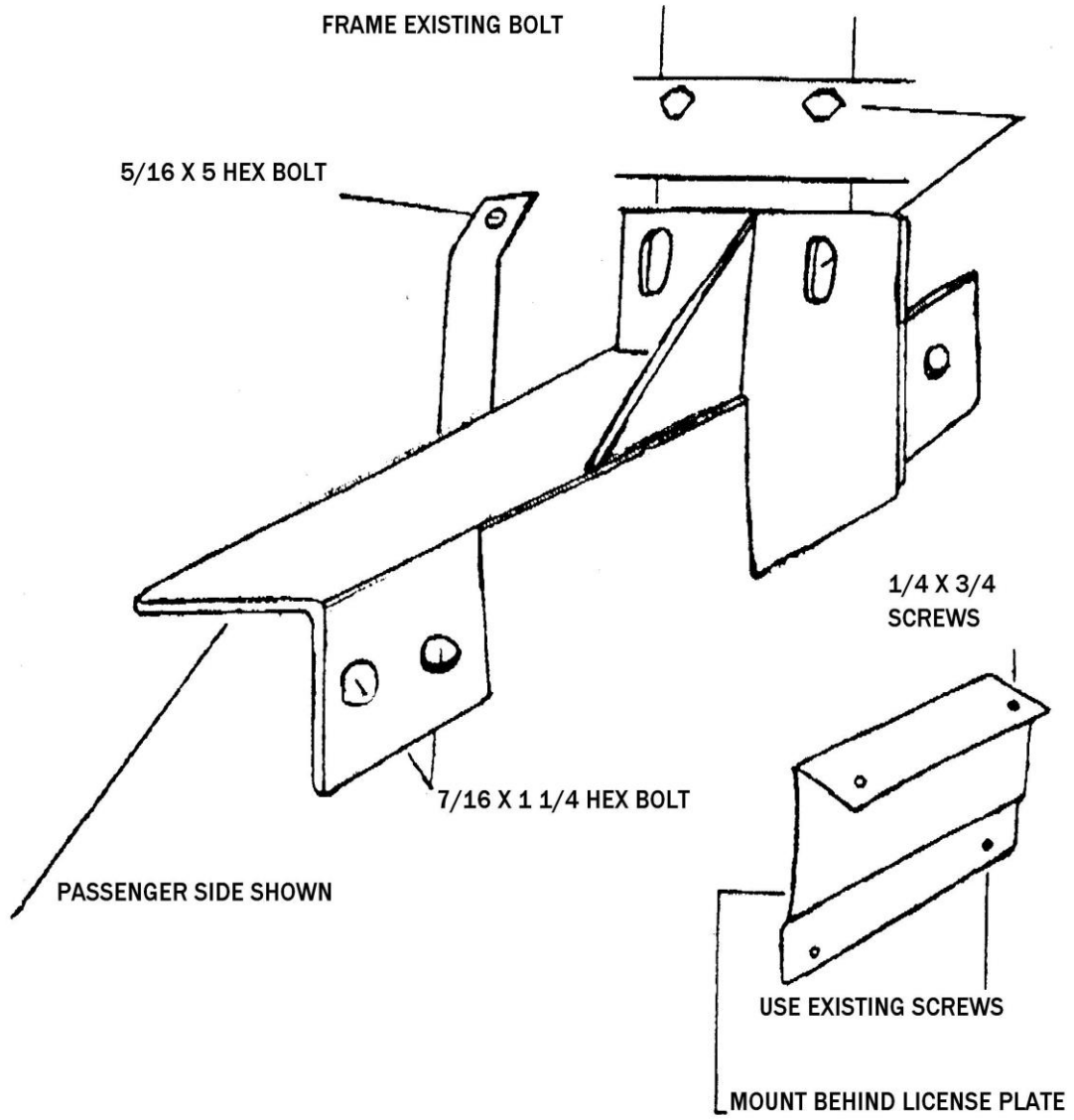


ILLUSTRATION PART