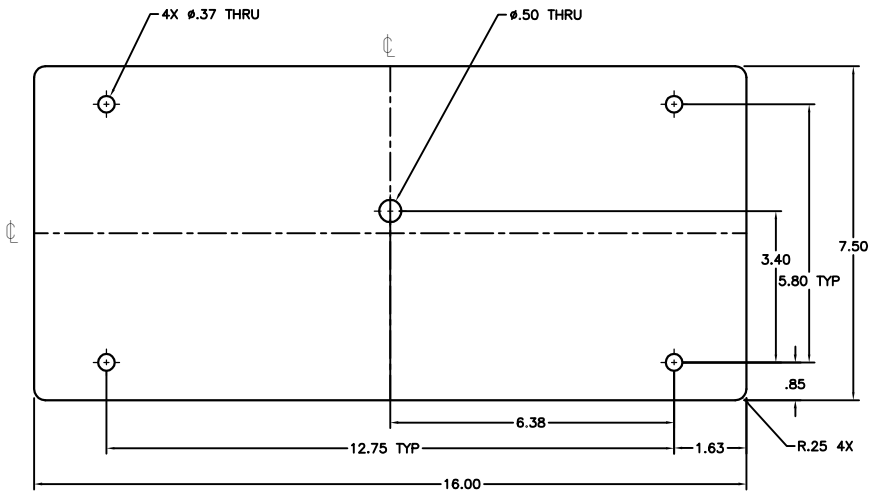


REV.	ECR	DESCRIPTION	DATE
-	7930	INITIAL DRAWING REQUEST	09/30/08
A	12518	UPDATED SPECIFICATIONS	12/24/14

MOUNTING GASKET



9016LED Series StarBeam™
M-Tech® LED Mini-Bar 1/8/14



MODEL #	PERM MOUNT	STANDARD MAGNETS	VACUUM MAGNET	CIG PLUG	CLEAR DOME	COLOR DOME	APPROVAL MARKINGS (see note)	APPROVAL	INPUT VOLTAGE RANGE	CURRENT DRAW (A)
9016LED-AA-A	X					X	SAE W3-1 12	SAE J845 CLASS 1	10-30VDC	2.3A
9016LED-AA-C	X				X		SAE W3-1 12	SAE J845 CLASS 1	10-30VDC	2.0A
9016LED-AB	X				X		SAE W3-1 12	SAE J845 CLASS 1	10-30VDC	2.8A
9016LED-AG	X				X			N/A	10-30VDC	2.8A
9016LED-AR	X				X		SAE W3-1 12	SAE J845 CLASS 1	10-30VDC	2.0A
9016LED-AW	X				X		SAE W3-1 12	SAE J845 CLASS 1	10-30VDC	2.8A
9016LED-BB	X				X		SAE W3-1 12	SAE J845 CLASS 1	10-30VDC	3.6A
9016LED-BW	X				X		SAE W3-1 12	SAE J845 CLASS 1	10-30VDC	3.6A
9016LED-CAR	X				X			N/A	10-30VDC	2.0A
9016LED-CARA	X				X			N/A	10-30VDC	2.0A
9016LED-GG	X				X			N/A	10-30VDC	3.6A
9016LED-GR	X				X			N/A	10-30VDC	2.8A
9016LED-RB	X				X		SAE W3-1 12	SAE J845 CLASS 1	10-30VDC	2.8A
9016LED-RR	X				add "-C"	X	SAE W3-1 12	SAE J845 CLASS 1	10-30VDC	2.0A
9016LED-RW	X				X		SAE W3-1 12	SAE J845 CLASS 1	10-30VDC	2.8A
9016LED-WW	X				X		SAE W3-1 12	SAE J845 CLASS 1	10-30VDC	3.6A

SPECIFICATIONS:

Typical Input Voltage Range: 10.0 - 30.0VDC

Typical Current Draw: 2.0 - 3.6A

Lumen maintenance: 70% lumen after 50,000 hours of operation

Operating Temperature Range: -30C to 50C

Connections: 24.0±1" wires exiting the unit.

Permanent Mounting: 4 Bolt Pattern (See Dwg)

Dimensions: 16.0L x 8.5W x 4.5H

Materials:

Outer Dome: Polycarbonate

Inner Domes: Polycarbonate

Base: Extruded Aluminum

Reflector: Vacuum metalized polycarbonate

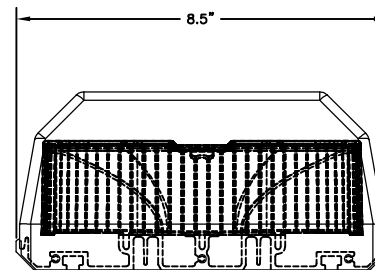
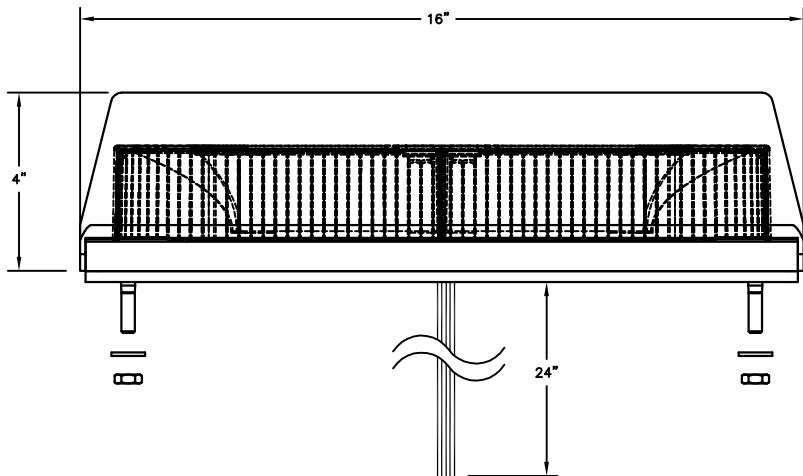
Mounting gasket: Closed cell EPDM Rubber

Mounting hardware: 300 series stainless steel

- 1/4" x 20 x 1-1/4" Bolt (4)

- 1/4" Flat Washer (4)

- 1/4" x 20 Hex Nut (4)



18 GA RED WIRE (+10-30VDC)
 18 GA BLACK WIRE (-GROUND)
 22 GA WHITE WIRE (SYNCHRONIZATION) CONNECT TO ANOTHER UNIT
 22 GA RED/GREEN WIRE (PATTERN SELECT) TOUCH TO +10-30VDC AND RELEASE
 22 GA PURPLE WIRE (HIGH/LOW) CONNECT TO GROUND TO ACTIVATE LOW POWER

UNLESS OTHERWISE SPECIFIED: DIMENSIONS ARE IN INCHES Drill Tolerances ± 0.003 Artwork and board size TOLERANCES: ANGULAR: ± 2 DEG. .X ± .100 .XX ± .020 .XXX ± .005 .XXXX ± .001	DRAWN BY: TA	<p>THE LEADERS IN PROFESSIONAL WARNING LIGHTS</p>
	DRAWING APPROVED BY ECR	
ROHS COMPLIANT: NO	THE INFORMATION CONTAINED IN THIS DRAWING IS THE SOLE PROPERTY OF STAR HEADLIGHT & LANTERN CO., INC.. ANY REPRODUCTION IN PART OR AS A WHOLE WITHOUT THE WRITTEN PERMISSION OF STAR HEADLIGHT & LANTERN CO., INC. IS STRICTLY PROHIBITED.	MODEL: 9016LED-**
MATERIAL: N/A	FINISH: N/A	TITLE: MODEL DRAWING
		DWG. NO. 9016LED
		REV A
		SCALE: 1:1 DO NOT SCALE FROM DRAWING SHEET 1 OF 1