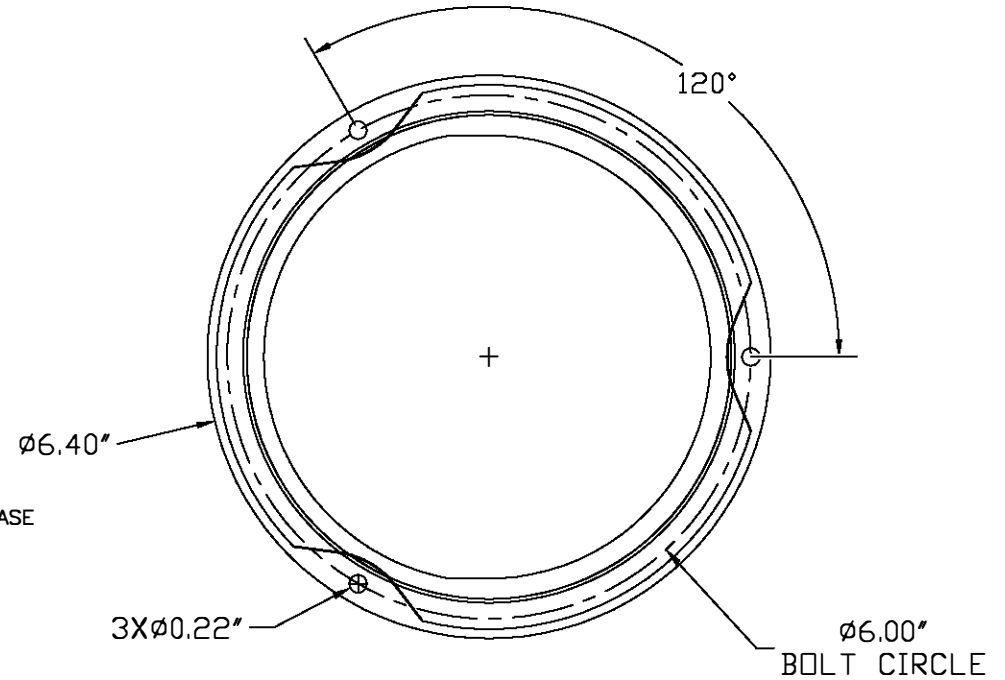
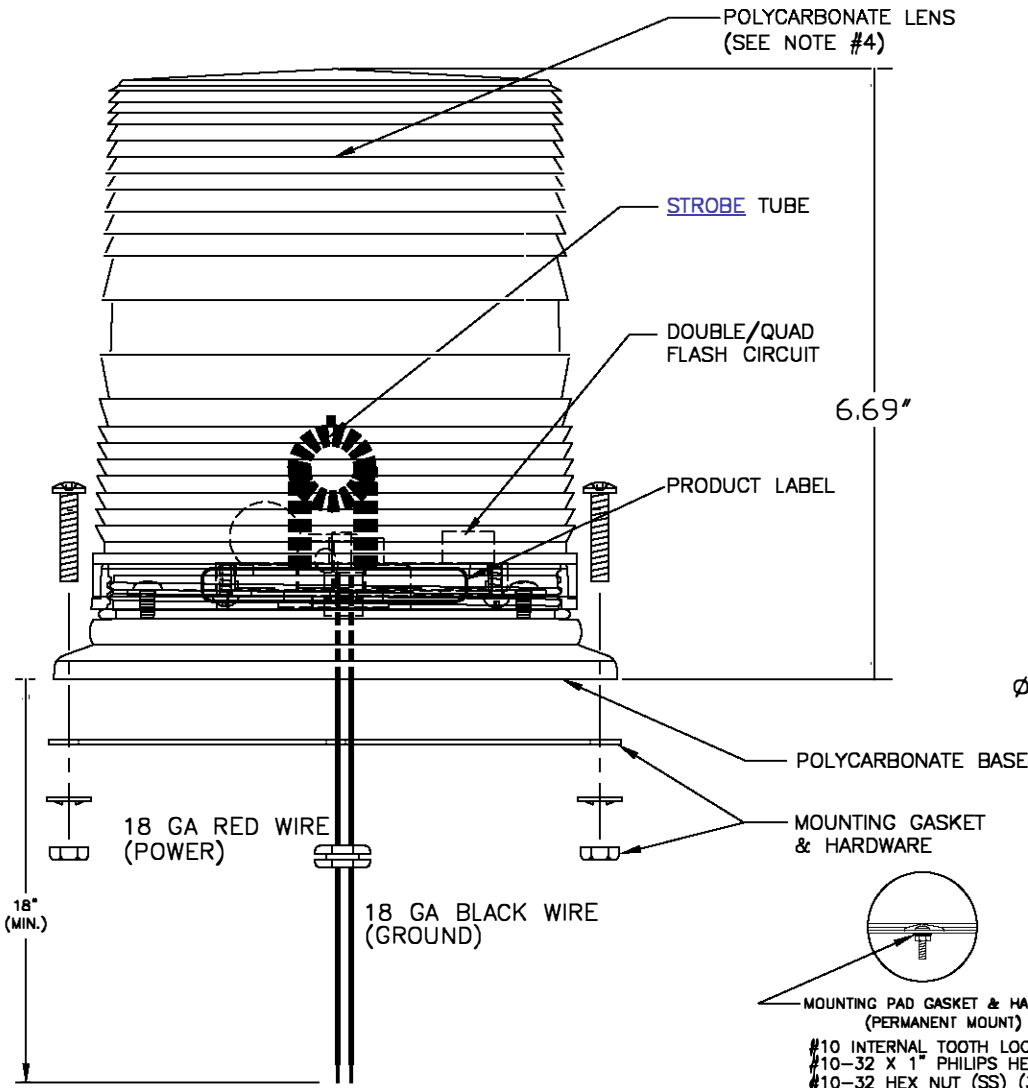


REV.	ECR	DESCRIPTION	DATE
-	5036	INITIAL DRAWING REQUEST	02/24/03
A	8665	ADDED NEW DRAWING FORMAT, & NOTES	10/08/09
B	11813	ADDED SPECIFICATIONS, VIEW AND UPDATED NOTES ITEM #5	03/17/14



NOTE:

- 1) INSTRUCTION SHEET P/N PLITSTR288
- 2) PACKING INCLUDES: SCART4000
 - (1) UNIT BOX P/N PCART4000 UN
 - (1) UNIT BOX INSERT P/N PCART4000CS
 - (1) 12 x 16 POLY BAG P/N P30024-12
- 3) BOX LABEL BLANK P/N PLAB64
- 4) LENS COLORS: AMBER, BLUE, CLEAR, GREEN, RED
- 5) * = A, B, C, G, R (SAE J578 * = A, B, C, R)

SPECIFICATIONS

Typical Input Voltage Range: 10-58 VDC
 Typical Current Draw: 1.2 A @ 12VDC
 0.6 A @ 24VDC
 0.3 A @ 36VDC
 0.175A @ 48VDC

Approval: SAE J1318 Class II (QUAD ONLY)
 Flash Rate: S/D/Q 65/80/65 fpm respectively
 Output Power: S/D/Q 3.8W/9.3W/10.8W respectively.
 Connections: 18"Min. wires exiting the unit.
 Permanent Mounting: 3 Hole Pattern ϕ 6.0" BC.
 Permanent Mounting: 1 inch NPT
 Dimensions: (Tall Dome): 6.69" tall x ϕ 6.4".
 Individual Shipping weight: 3.0 lbs.

- #10 INTERNAL TOOTH LOCK WASHER (SS) (3)
- #10-32 X 1" PHILIPS HEAD SCREW (SS) (3)
- #10-32 HEX NUT (SS) (3)

UNLESS OTHERWISE SPECIFIED

DIMENSIONS ARE IN INCHES
 Drill Tolerances \pm 0.008

Artwork and board size TOLERANCES:
 ANGULAR: \pm 2 DEG.
 .X \pm .100
 .XX \pm .020
 .XXX \pm .005
 .XXXX \pm .001

RoHS COMPLIANT: NA

MATERIAL:
 NA

FINISH:
 NA

DRAWN BY: DPL

DRAWING APPROVED BY ECR

THE INFORMATION CONTAINED IN THIS DRAWING IS THE SOLE PROPERTY OF STAR HEADLIGHT & LANTERN CO., INC.. ANY REPRODUCTION IN PART OR AS A WHOLE WITHOUT THE WRITTEN PERMISSION OF STAR HEADLIGHT & LANTERN CO., INC. IS STRICTLY PROHIBITED.



MODEL: 255TC-* (DOUBLE/QUAD SELECTABLE)

TITLE: MODEL DRAWING

DWG. NO. 255TC REV B

SCALE: 1:1 DO NOT SCALE FROM DRAWING SHEET 1 OF 1