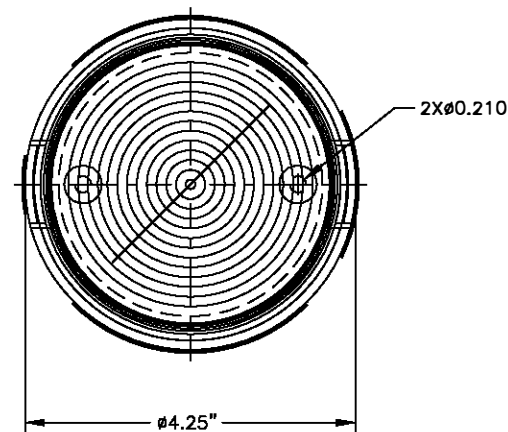


SPECIFICATIONS  $\triangle B$

Typical Input Voltage Range: 10-16VDC  
 Typical Current Draw: .35A @ 12VDC  
 Flash Rate: Single Flash 65sfpm  
 Output Power: Single Flash 3.1W  
 Connections: 18" Min. wires exiting the unit.  
 Permanent Mounting: 2 Holes on  $\phi 2.75$  Center  
 Dimensions: (Short Dome): 4.25" tall x  $\phi 2.75$ ".  
 Individual Shipping weight: 1.5 lbs.

REV.	ECR	DESCRIPTION	DATE
-	7074	INITIAL DRAWING REQUEST	03/14/07
A	8613	ADDED NEW DRAWING FORMAT, & NOTES	09/17/09
B	11937	ADDED SPECIFICATIONS, WIRE FUNCTION, MOUNT HARDWARE, PLAB64 WAS PLABSTR, RMVD 201ZL-48, ADDED 201ZL-110	04/25/14



NOTE:

- 1) INSTRUCTION SHEET P/N PLITSTR383
- 2) PACKING: P/N SCART200Z  
INCLUDES:  
(1) UNIT BOX P/N PCARTZFOLDU  
(1) 1D x 12 POLY BAG P/N P30024-14
- $\triangle B$  3) BOX LABEL BLANK P/N PLAB64
- 4) LENS COLORS: AMBER, CLEAR  
\* = A, C
- 5) VOLTAGES:  
201ZL (10-16V DC) (0.35 Amps @ 10V-16V DC)  
 $\triangle B$  201ZL-110 (10V-110V DC)(0.13 Amps @ 10V-110V DC)

UNLESS OTHERWISE SPECIFIED: DIMENSIONS ARE IN INCHES Drill Tolerances $\pm 0.003$ Aircraft and board size TOLERANCES: ANGULAR: $\pm 2$ DEG. .X $\pm .100$ .XX $\pm .020$ .XXX $\pm .005$ .XXXX $\pm .001$	DRAWN BY: TM/DPL	<b>STAR HEADLIGHT &amp; LANTERN CO., INC.</b>	
	<b>DRAWING APPROVED BY ECR</b>		
ROHS COMPLIANT: NA	THE INFORMATION CONTAINED IN THIS DRAWING IS THE SOLE PROPERTY OF STAR HEADLIGHT & LANTERN CO., INC.. ANY REPRODUCTION IN PART OR AS A WHOLE WITHOUT THE WRITTEN PERMISSION OF STAR HEADLIGHT & LANTERN CO., INC. IS STRICTLY PROHIBITED.		MODEL: 201ZL-*, 201ZL-110-*
MATERIAL: NA	FINISH: NA		TITLE: MODEL DRAWING
DWG. NO. 201ZL		REV B	
SCALE: 1:1		DO NOT SCALE FROM DRAWING	SHEET 1 OF 1