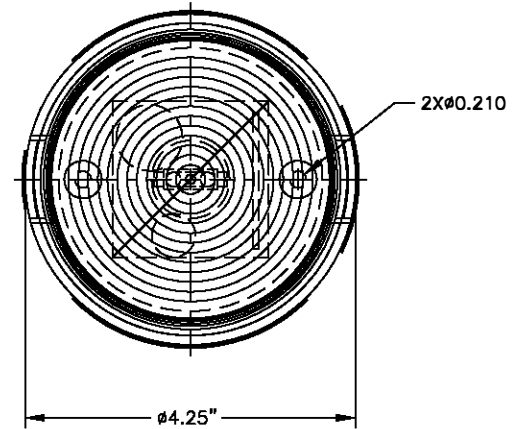
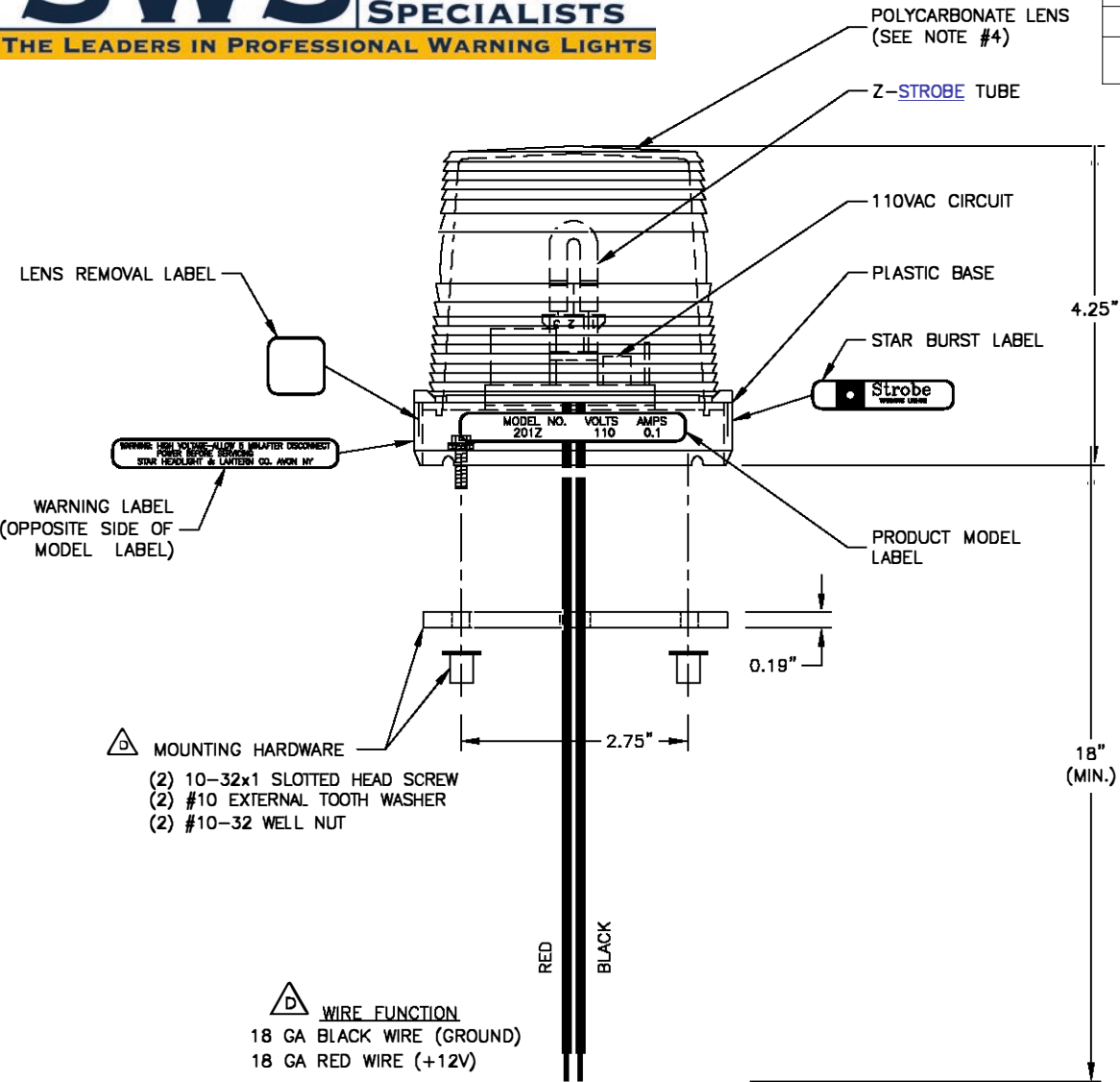


REV.	ECR	DESCRIPTION	DATE
A	992	INITIAL DRAWING REQUEST	12/05/96
B	2677	DRAWING UPDATE	03/23/99
C	8613	ADDED NEW DRAWING FORMAT, & NOTES	09/17/09
D	11937	ADDED SPECIFICATIONS, WIRE FUNCTION, MOUNT HARDWARE, PLAB64 WAS PLABSTR	04/25/14



NOTE:

- 1) INSTRUCTION SHEET P/N PLITSTR43
- 2) PACKING: P/N SCART200Z
INCLUDES:
(1) UNIT BOX P/N PCARTZFOLDU
(1) 10 x 12 POLY BAG P/N P30024-14
(1) MASTER CARTON P/N PCART20DZ12 (12 UNITS)
- 3) BOX LABEL BLANK P/N PLAB64
- 4) LENS COLORS: AMBER, BLUE, CLEAR, GREEN, RED
* = A, B, C, G, R

SPECIFICATIONS

Typical Input Voltage Range: 10-16VDC
 Typical Current Draw: .5A @ 12VDC
 Flash Rate: Single Flash 65sfpm
 Output Power: Single Flash 3.1W
 Connections: 18" Min. wires exiting the unit.
 Permanent Mounting: 2 Holes on ϕ 2.75 Center
 Dimensions: (Short Dome): 4.25" tall x ϕ 4.25".
 Individual Shipping weight: 1.5 lbs.

UNLESS OTHERWISE SPECIFIED: DIMENSIONS ARE IN DIN Tolerances \pm 0.003 Work and board size TOLERANCES: ANGULAR: \pm 2 DEG. .X \pm .100 .XX \pm .020 .XXX \pm .005 .XXXX \pm .001	DRAWN BY: DPL	STAR HEADLIGHT & LANTERN CO., INC.
	DRAWING APPROVED BY ECR	
ROHS COMPLIANT: NA	THE INFORMATION CONTAINED IN THIS DRAWING IS THE SOLE PROPERTY OF STAR HEADLIGHT & LANTERN CO., INC.. ANY REPRODUCTION IN PART OR AS A WHOLE WITHOUT THE WRITTEN PERMISSION OF STAR HEADLIGHT & LANTERN CO., INC. IS STRICTLY PROHIBITED.	MODEL: 201Z-12V-* (12VDC, 0.5A)
MATERIAL: NA		TITLE: MODEL DRAWING MODEL 201Z SINGLE FLASH STROBE LIGHT
FINISH: NA		DWG. NO. 201Z
		SCALE: 1:1 DO NOT SCALE FROM DRAWING
		SHEET 1 OF 1