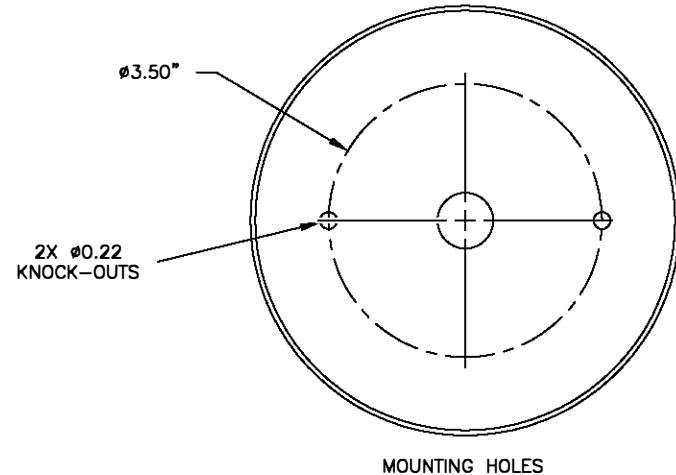
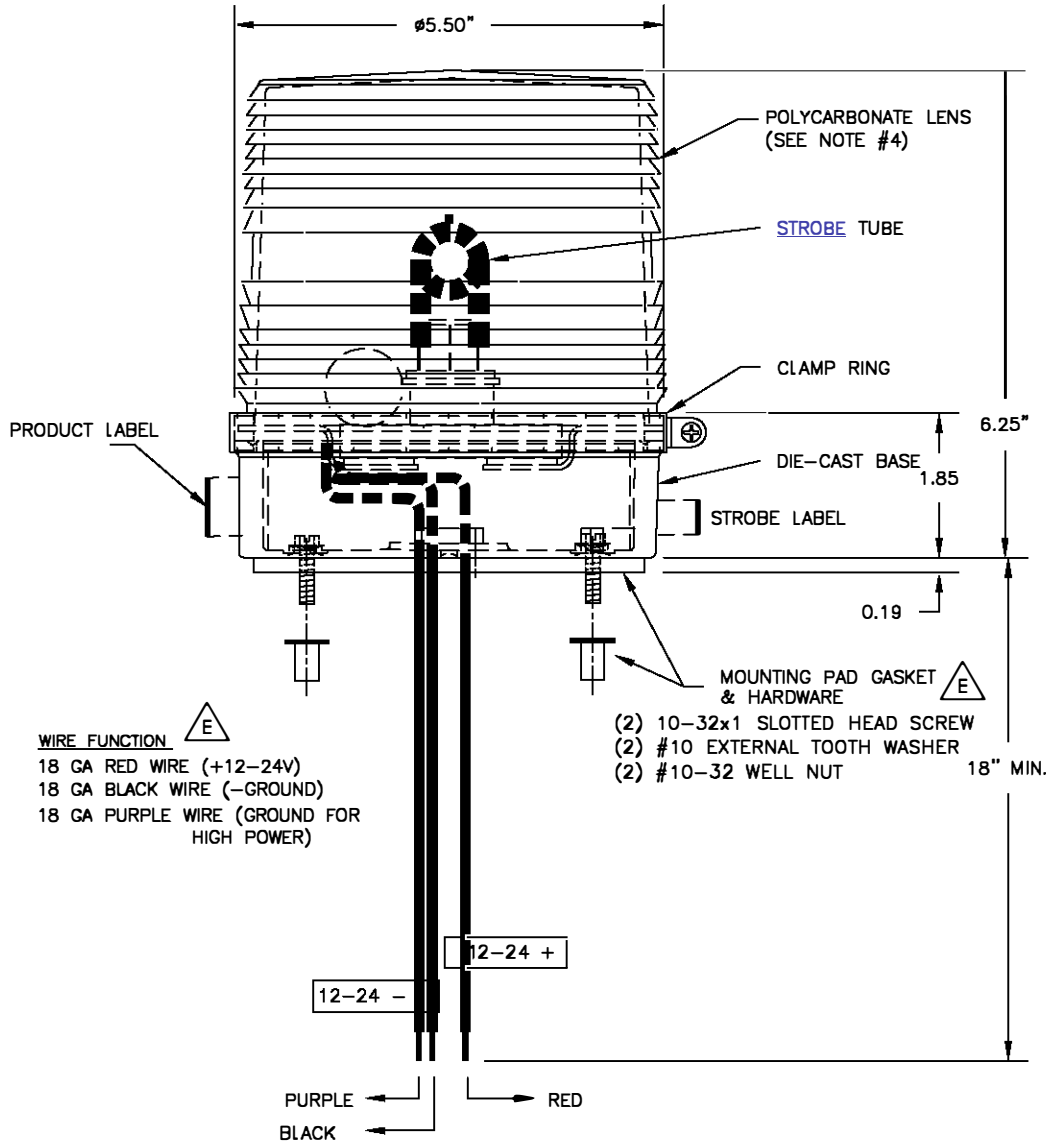


REV.	ECR	DESCRIPTION	DATE
A	953	INITIAL DRAWING REQUEST	11/18/96
B	1606	DRAWING UPDATE	08/08/97
C	8611	ADDED NEW DRAWING FORMAT. & NOTES	09/16/09
D	9353	UPDATED VIEW TO S/D/Q CIRCUIT	10/14/10
E	11930	ADDED SPECIFICATIONS AND WIRE FUNCTION, MOUNTING HARDWARE	04/24/14



- NOTE:**
- 1) INSTRUCTION SHEET P/N PLITSTR43
 - 2) PACKING: P/N SCART4000
INCLUDES:
(1) UNIT BOX P/N PCART4000 UN
(1) UNIT BOX INSERT P/N PCART4000CS
(1) 12 x 16 POLY BAG P/N P30024-12
 - 3) BOX LABEL BLANK P/N PLAB64
 - 4) LENS COLORS:
AMBER, BLUE, CLEAR, GREEN, MAGENTA, RED
* = A, B, C, G, M, R

SPECIFICATIONS E

Typical Input Voltage Range: 10-30 VDC
 Typical Current Draw: 2.0 A @ 12/24VDC
 Approval: Single Flash: SAE J1318 Class 2 Amber, Blue, Clear, Red.
 Flash Rate: S/D/Q 100fpm/65dfpm/75afpm respectively
 Output Power: S/D/Q 24W/18.7W/24W respectively
 Connections: 18" Min. wires exiting the unit.
 Permanent Mounting: 2 Holes on $\phi 3.50$ or $\frac{1}{2}$ " Pipe Mount
 Dimensions: (Short Dome): 6.25" tall x $\phi 5.50$ ".
 Individual Shipping weight: 3.0 lbs.

DIMENSIONS ARE IN INCHES Drill Tolerances ± 0.003 Artwork and board size TOLERANCES: ANGULAR: ± 2 DEG. .X $\pm .100$.XX $\pm .020$.XXX $\pm .005$.XXXX $\pm .001$	DRAWN BY: DPL DRAWING APPROVED BY ECR	 THE LEADERS IN PROFESSIONAL WARNING LIGHTS
	THE INFORMATION CONTAINED IN THIS DRAWING IS THE SOLE PROPERTY OF STAR HEADLIGHT & LANTERN CO., INC.. ANY REPRODUCTION IN PART OR AS A WHOLE WITHOUT THE WRITTEN PERMISSION OF STAR HEADLIGHT & LANTERN CO., INC. IS STRICTLY PROHIBITED.	
ROHS COMPLIANT: NA MATERIAL: NA FINISH: NA	DWG. NO. 200S SCALE: 1:1 DO NOT SCALE FROM DRAWING	SHEET 1 OF 1 REV E