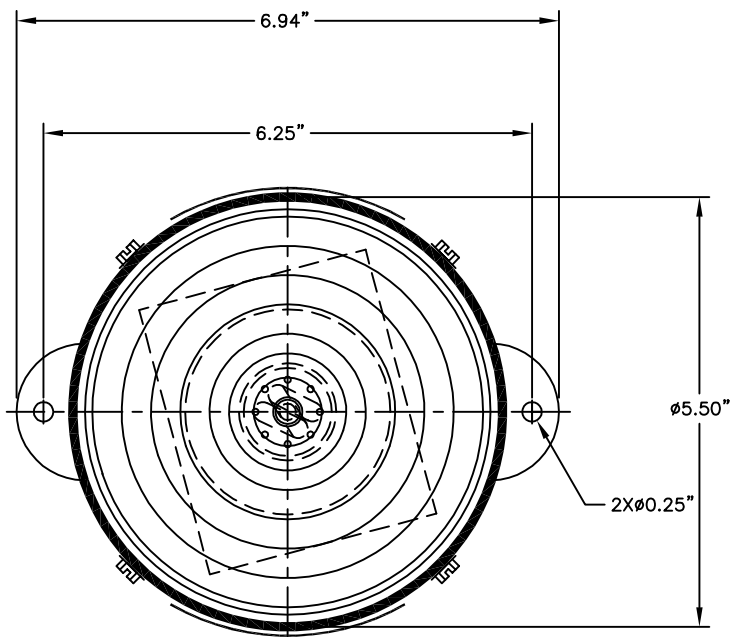
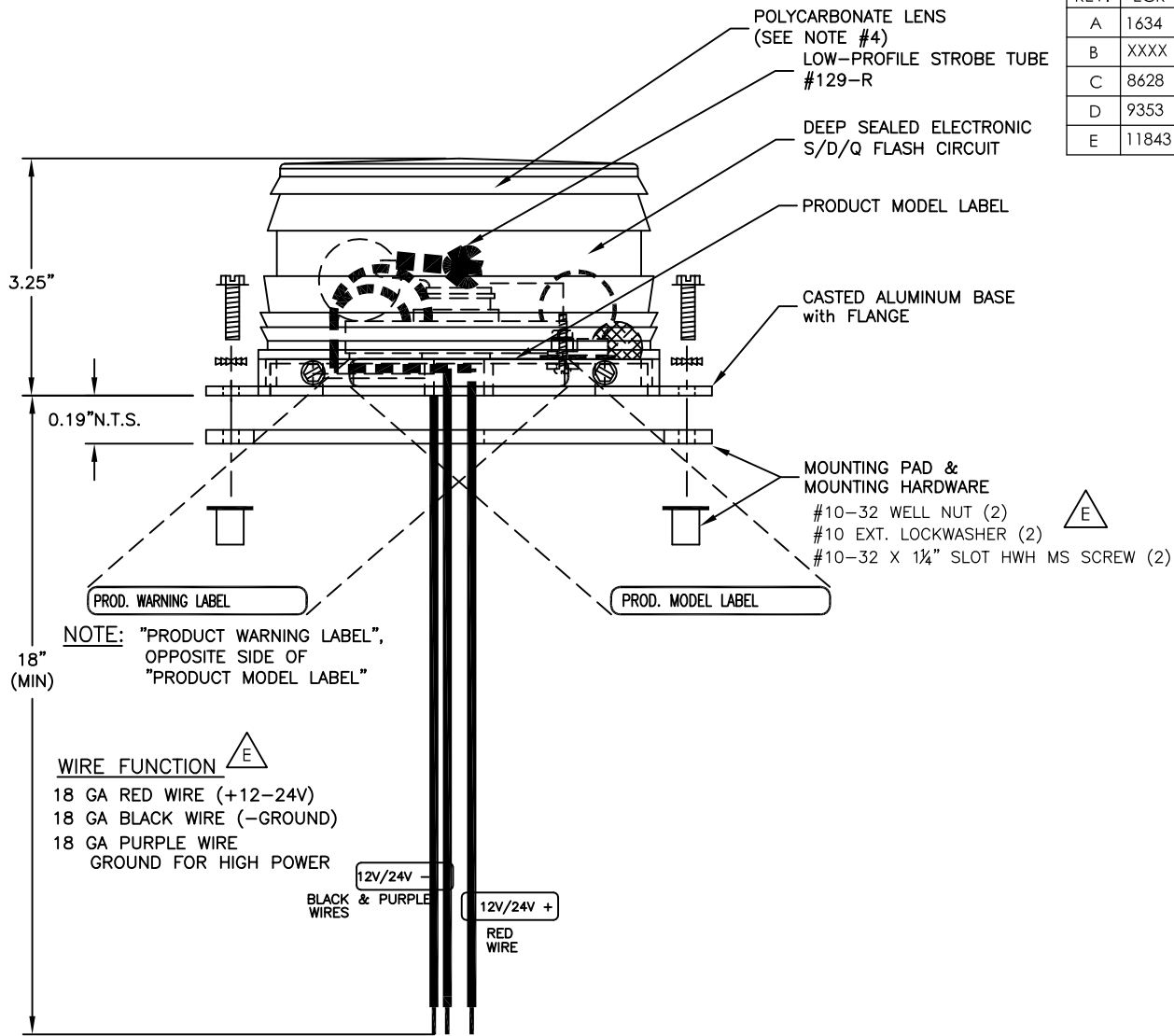


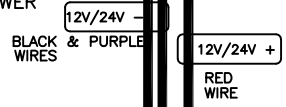
REV.	ECR	DESCRIPTION
A	1634	INITIAL DRAWING REQUEST
B	XXXX	DRAWING UPDATE
C	8628	ADDED NEW DRAWING FORMAT, & NOTES
D	9353	UPDATED VIEW TO S/D/Q CIRCUIT
E	11843	ADDED SPECIFICATIONS, MOUNT PARTS, WIRE FUNCTION NOTE.



- NOTE:**
- 1) INSTRUCTION SHEET P/N PLITSTR43
 - 2) PACKING INCLUDES: SCART241S
(1) UNIT BOX P/N PCART4000 UN
(1) UNIT BOX INSERT P/N PCART240INS
(1) 10 x 12 POLY BAG P/N P30024-14
 - 3) BOX LABEL BLANK P/N PLAB64
 - 4) LENS COLORS: AMBER, BLUE, CLEAR, GREEN, RED
* = A, B, C, G, R

WIRE FUNCTION E

- 18 GA RED WIRE (+12-24V)
- 18 GA BLACK WIRE (-GROUND)
- 18 GA PURPLE WIRE
GROUND FOR HIGH POWER



SPECIFICATIONS E

Typical Input Voltage Range: 10-30 VDC
 Typical Current Draw: 2.0A @ 12.8VDC
 Flash Rate: S/D/Q 100Fpm/65Dfpm/75Qfpm respectively
 Output Power: S/D/Q 18W/15W/20W respectively
 Connections: 18"Min. wires exiting the unit.
 Permanent Mounting: 2 Hole 4.50" center
 Dimensions: (Short Dome): 3.25" tall x 5.50".
 Individual Shipping weight: 2.0 lbs.

UNLESS OTHERWISE SPECIFIED: DIMENSIONS ARE IN INCHES Drill Tolerances ± 0.003 Artwork and board size TOLERANCES: ANGULAR: ± 2 DEG. .X ± .100 .XX ± .020 .XXX ± .005 .XXXX ± .001	DRAWN BY: DPL	STAR HEADLIGHT & LANTERN CO., INC.	
	DRAWING APPROVED BY ECR		
RoHS COMPLIANT: NA	THE INFORMATION CONTAINED IN THIS DRAWING IS THE SOLE PROPERTY OF STAR HEADLIGHT & LANTERN CO., INC.. ANY REPRODUCTION IN PART OR AS A WHOLE WITHOUT THE WRITTEN PERMISSION OF STAR HEADLIGHT & LANTERN CO., INC. IS STRICTLY PROHIBITED.		MODEL: 241SF-12V-* (12VDC, 2.0 AMP)
MATERIAL: NA	FINISH: NA		TITLE: MODEL DRAWING S/D/Q FLASH STROBE w/ FLANGE
			DWG. NO. 241SF