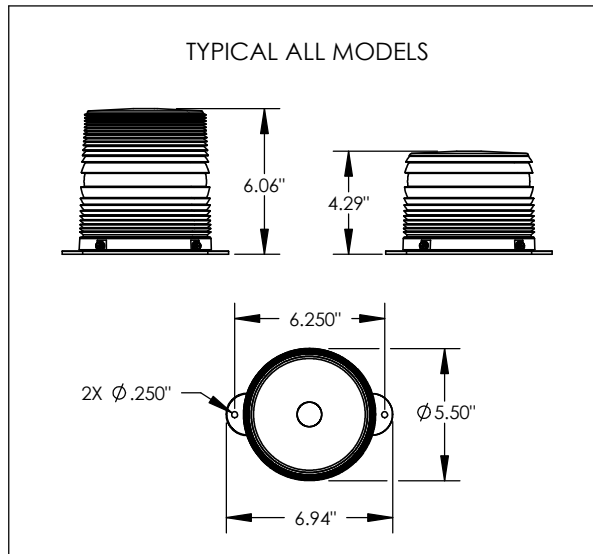
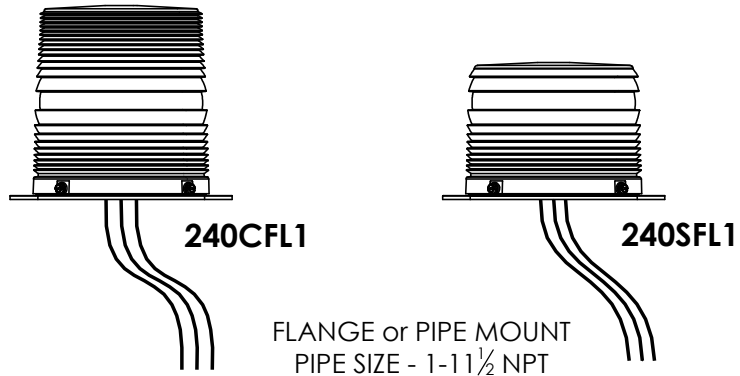
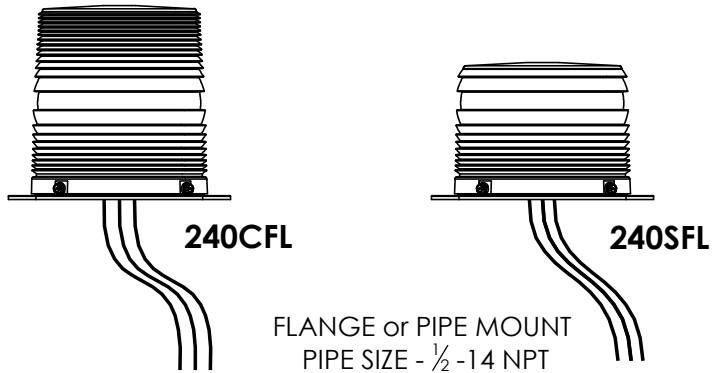


REV.	ECR	DESCRIPTION
-	12178	INITIAL DRAWING REQUEST
A	12428	ADDED 12V ONLY MODEL INFORMATION



12-24V MODELS AVAILABLE	
MODEL	DESCRIPTION
240CFL-A	240 C-2 LED TALL DOME BEACON - AMBER
240CFL-C	240 C-2 LED TALL DOME BEACON - CLEAR
240SFL-A	240 C-2 LED SHORT DOME BEACON - AMBER
240SFL-C	240 C-2 LED SHORT DOME BEACON - CLEAR
240CFL1-A	240 C-2 LED TALL DOME BEACON - AMBER
240CFL1-C	240 C-2 LED TALL DOME BEACON - CLEAR
240SFL1-A	240 C-2 LED SHORT DOME BEACON - AMBER
240SFL1-C	240 C-2 LED SHORT DOME BEACON - CLEAR

12V ONLY MODELS AVAILABLE	
MODEL	DESCRIPTION
240SFL1-12V-A	240 C-2 LED SHORT DOME BEACON - AMBER

FOR OTHER CLASS 2 BEACONS
SEE MODEL DRAWING 256 C-2

-- 12V ONLY PRODUCT INFORMATION --

- ELECTRICAL
 - VOLTAGE: 10 -16VDC
 - AMP DRAW: 0.43 MAX
 - REQUIRES 5 AMP FUSE
 - 3-WIRE CONNECTION
 - BLACK - NEG. GROUND
 - RED - + POWER
 - GREEN - PATTERN SELECT
 - WIRE - 18 AWG 6" LONG
 - 28 FLASH PATTERNS
- APPROVALS
 - SAE CLASS II
- MECHANICAL:
 - BASE: POWDER COATED ALUMINUM CASTING
 - DOME: POLYCARBONATE
 - MOUNTING: SURFACE OR POLE
 - GASKET and MOUNTING HARWARE INCLUDED

-- 12-24V PRODUCT INFORMATION --

- ELECTRICAL
 - VOLTAGE: 10 - 30VDC
 - AMP DRAW: AVG. 0.4A
 - REQUIRES 5 AMP FUSE
 - 3-WIRE CONNECTION
 - BLACK - NEG. GROUND
 - RED - + POWER
 - GREEN - PATTERN SELECT
 - WIRE - 18 AWG 6" LONG
 - 28 FLASH PATTERNS
- APPROVALS
 - SAE CLASS II
- MECHANICAL:
 - BASE: POWDER COATED ALUMINUM CASTING
 - DOME: POLYCARBONATE
 - MOUNTING: SURFACE OR POLE
 - GASKET and MOUNTING HARWARE INCLUDED

UNLESS OTHERWISE SPECIFIED DIMENSIONS ARE IN INCHES TOLERANCES: ANGULAR: ± 2 DEG. .X ± .100 .XX ± .020 .XXX ± .005 .XXXX ± .001	DRAWN BY: SWN	STAR HEADLIGHT & LANTERN CO., INC.
	DRAWING APPROVED BY ECR	
RoHS COMPLIANT: Yes	THE INFORMATION CONTAINED IN THIS DRAWING IS THE SOLE PROPERTY OF STAR HEADLIGHT & LANTERN CO., INC.. ANY REPRODUCTION IN PART OR AS A WHOLE WITHOUT THE WRITTEN PERMISSION OF STAR HEADLIGHT & LANTERN CO., INC. IS STRICTLY PROHIBITED.	MODEL: 240CFL, 240SFL, 240CFL1 & 240SFL1
MATERIAL: N/A	FINISH: N/A	TITLE: 240 SERIES CLASS 2 MODEL DRAWING
		DWG. NO. 240 C-2