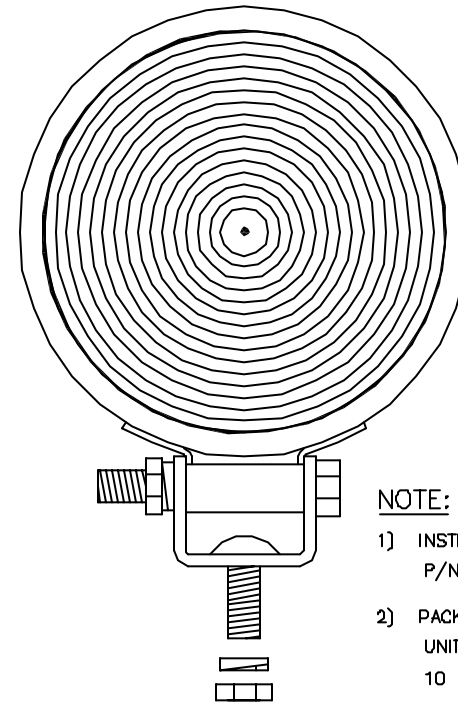


- A - RED WIRE
 - B - BLACK WIRE
 - C - WHITE WIRE
-
- C B A



NOTE:

- 1) INSTRUCTION SHEET
P/N PLITSTR87
- 2) PACKING: SCART200Z
UNIT BOX P/N PCARTZFOLDU
10 x 12 POLY BAG P/N P30024-14
- 3) BOX LABEL (BLANK FILL-IN)
P/N PLABSTR
FILL-IN: MODEL #; COLOR; & QUANTITY

UNLESS OTHERWISE SPECIFIED: DIMENSIONS ARE IN INCHES Drill Tolerances ± 0.003 Artwork and board size TOLERANCES: ANGULAR: ± 2 DEG. X ± .100 XX ± .020 XXX ± .005 XXXX ± .001	DRAWN BY: DPL	STAR HEADLIGHT & LANTERN CO., INC.	
RoHS COMPLIANT: NA	MODEL: SH3930-*		TITLE: MODEL DRAWING PAR-36, ROUND RUBBER HOUSED STROBE HEAD
MATERIAL: NA	DWG. NO. SH3930	REV B	
FINISH: NA	SCALE: 1:1	DO NOT SCALE FROM DRAWING	SHEET 1 OF 1